

REV. (版本号)	DESCRIPTION (变更说明)	DATE (日期)	APPD (核准)
A0	新订图面	2022.07.07	Yuxiang
A1	增加焊脚高于塑胶面尺寸管控	2022.10.12	Yuxiang

NOTE:

1.MATERIAL SPECIFICATION:

- 1.HOUSING&PICKUP COVER:LCP,UL94 V-0.
- 2.CONTACTS: COPPER ALLOY(C7025)
- 3.SPRING: STAINLESS STEEL(SUS301)
- 4.SHELL: STAINLESS STEEL(SUS304)

2.PLATING SPECIFICATION:

- 2-1.CONTACTS:
Ni 50u" MIN. UNDER PLATED OVER ALL.
Au PLATED ON THE FUNCTIONAL AREA OF CONTACT.
(GOLD PLATING THICKNESS FOLLOW THE P/N)
PLATING SPECIFICATIONS OF THE SOLDER AREA FOLLOW THE P/N
- 2-2.FRONT SHELL:
Ni 30u" MIN. UNDER PLATED OVER ALL.
- 2-3.SPRING:
Ni 50u" MIN. UNDER PLATED OVER ALL.
80u" MIN. TIN PLATED ON SOLDER AREA.

3.MECHANICAL PERFORMANCE,

- 3-1.INSERTION FORCE: 0.5~2.0kgf.
- 3-2.EXTRACTION FORCE: 0.8kgf~2.0kgf.
- 3-3.DURABILITY: 10000 CYCLES.

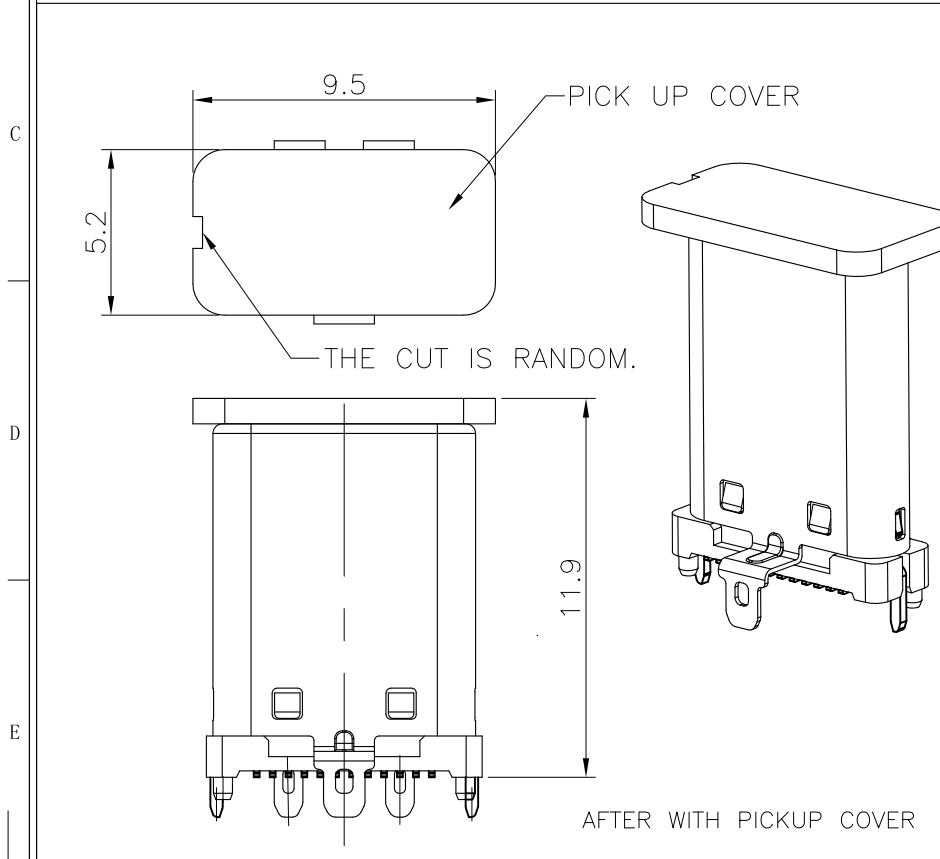
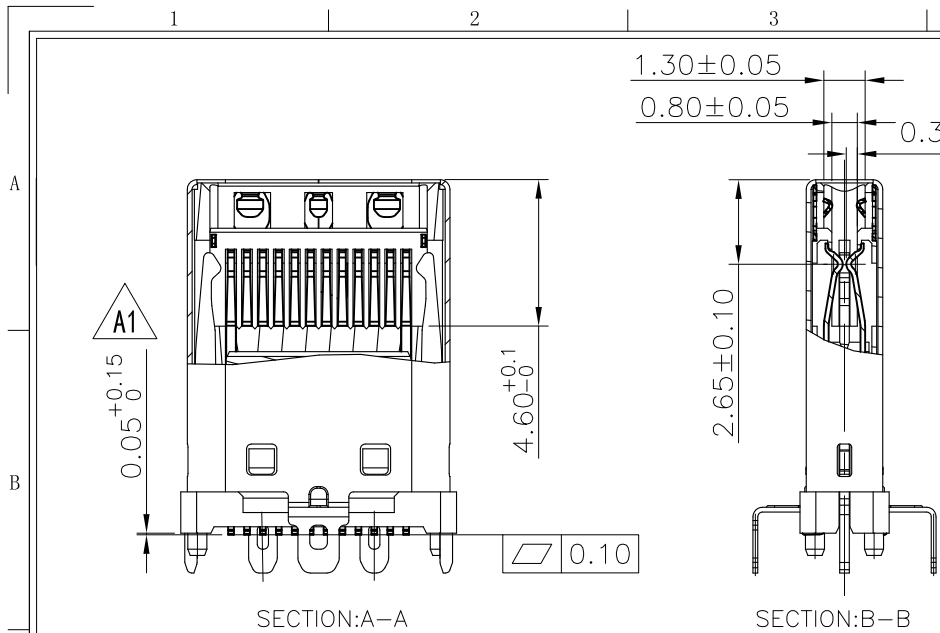
4.ELECTRICAL PERFORMANCE,

- 4-1. CURRENT RATING:3.0A
VOLTAGE RATING:5.0V
- 4-2. LLCR:
VBUS & GND PINS AND OTHER PINS: 40mΩ/PIN MAX.
SHIELD: 50mΩ/MAX.
LLCR MAX. CHANGE OF ALL PINS: 10mΩ.
- 4-3.INSULATION RESISTANCE: 100MΩ MIN
- 4-4.DIELECTRIC WITHSTAND VOLTAGE,AC 100V FOR 1 MINUTE.

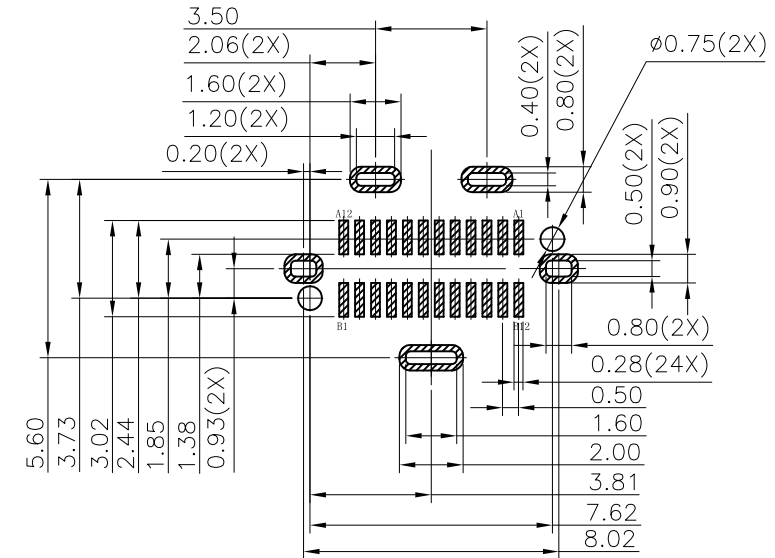
5. ENVIRONMENTAL PERFORMANCE:
OPERATING TEMPERATURE: -25°C~+85°C.

6.IR REFLOW:
THE PEAK TEMPERATURE ON THE BOARD SHALL
BE MAINTAINED FOR 10 SECONDS AT 260°C.

深圳市宇文发电子科技有限公司 Shen Zhen Yu Wen Fa Electronics Technology Co.,Ltd TEL:0755-27711235 FAX:0755-27712683		页码 (SHEET)	1/2	单位(UNIT): MM
		版本 (REV)	A2	比例(SCALE) 1:1
品名 (ITEM NO)	TYPE C公头H11.1直立式三支脚	日期 (DATE)	2022.07.07	 未注公差 TOLERANCE UNSPECIFIED X.X ±0.30 X.XX ±0.20 X.XXX ±0.10 X° ±5° X.X° ±2°
料号 (PART NO)	PTCMW-H12B-003	设计 (DESIGN)	Yuxiang	
图号 (DWG NO)	P-TCF-091	审核 (CHECKED)		
		核准 (APPROVED)		




REV. (版本号)	DESCRIPTION (变更说明)	DATE (日期)	APPD (核准)
A0	新订图面	2022.07.07	Yuxiang
A1	增加焊脚高于塑胶面尺寸管控	2022.10.12	Yuxiang



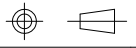
RECOMMENDED PCB LAYOUT(TOP VIEW)
THICKNESS 0.8±0.10MM;DEFAULT TOLERANCE:±0.05

USB TYPE-C PIN ASSIGNMENTS

PIN NUMBER	SIGNAL NAME	PIN NUMBER	SIGNAL NAME
A1	GND	B12	GND
A2	SSTXp1	B11	SSRXp1
A3	SSTXn1	B10	SSRXn1
A4	Vbus	B9	Vbus
A5	CC1	B8	SBU2
A6	Dp1	B7	Dn2
A7	Dn1	B6	Dp2
A8	SBU1	B5	CC2
A9	Vbus	B4	Vbus
A10	SSRXn2	B3	SSTXn2
A11	SSRXp2	B2	SSTXp2
A12	GND	B1	GND

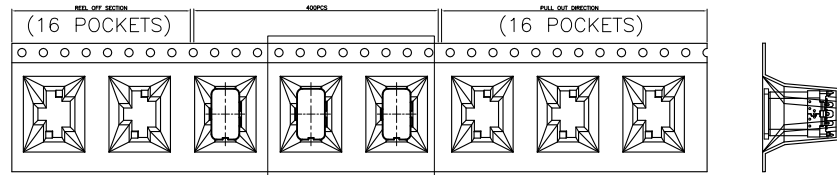

深圳市宇文发电子科技有限公司
 Shen Zhen Yu Wen Fa Electronics Technology Co., Ltd
 TEL:0755-27711235 FAX:0755-27712683

品名 (ITEM NO)	TYPE C公头H11.1直立式三支脚
料号 (PART NO)	PTCMW-H12B-003
图号 (DWG NO)	P-TCF-091

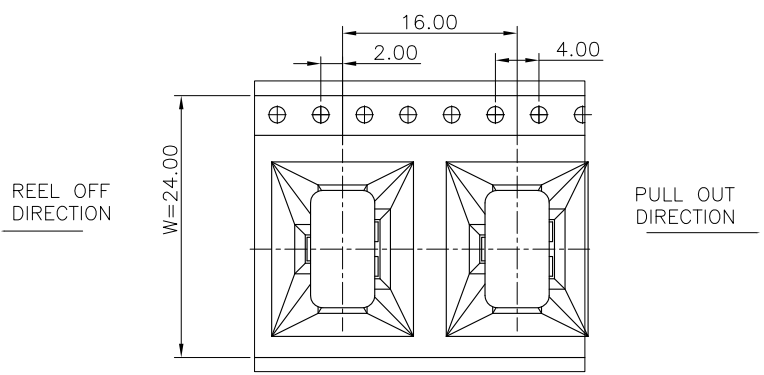
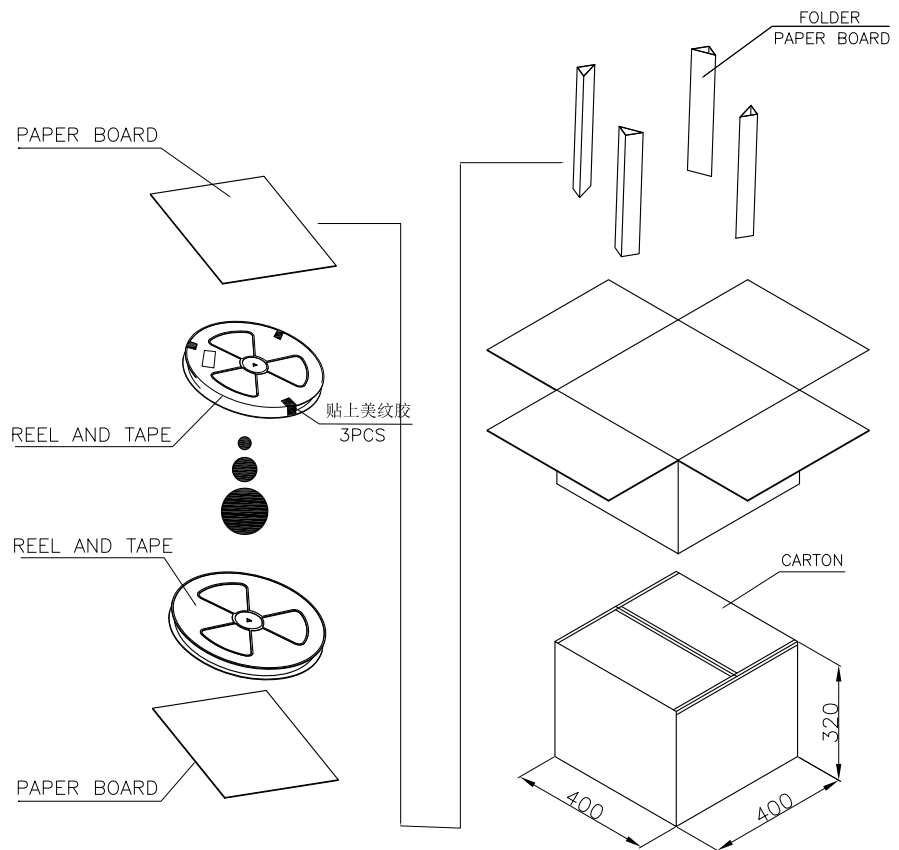
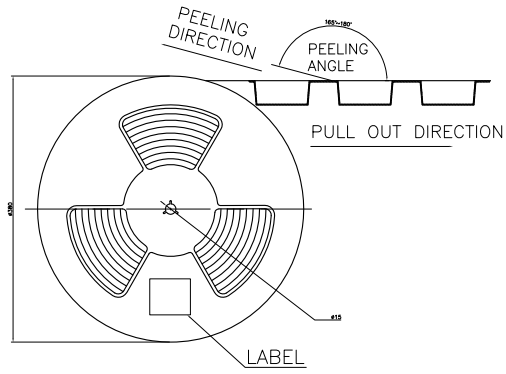
页码 (SHEET)	2/2	单位 (UNIT):	MM
版本 (REV)	A2	比例 (SCALE)	1:1
日期 (DATE)	2022.07.07		
设计 (DESIGN)	Yuxiang	未注公差 TOLERANCE UNSPECIFIED	
审核 (CHECKED)		X.X	±0.30
核准 (APPROVED)		X.XX	±0.20
		X.XXX	±0.10
		X°	±5°
		X.X°	±2°

RoHS Compliant

REV.	ECN NO	DESCRIPTION	REVISER	DATE
A/0				
A/1				



SEE DETAIL X



DETAIL X
SCALE 2:1

	REEL	CARTON
CONNECTOR (PCS)	400	4000

图号 (DWG NO)	单位 (UNIT): MM	深圳市宇文发电子科技有限公司 Shen Zhen Yu Wen Fa Electronics Technology Co., Ltd TEL: 0755-27711235 FAX: 0755-27712683
日期 (DATE)	比例 (SCALE) 1:1	
版次 (REV): A/0	页/次 (PAGE): 1/1	
设计 (DESIGN)	YUXIANG	包装规范 品名 (ITEM NO) TYPE C公头直立式H11.1 三支脚 包装图 料号 (PART NO) A-004R-123
审核 (CHECKED)		
核准 (APPROVED)		