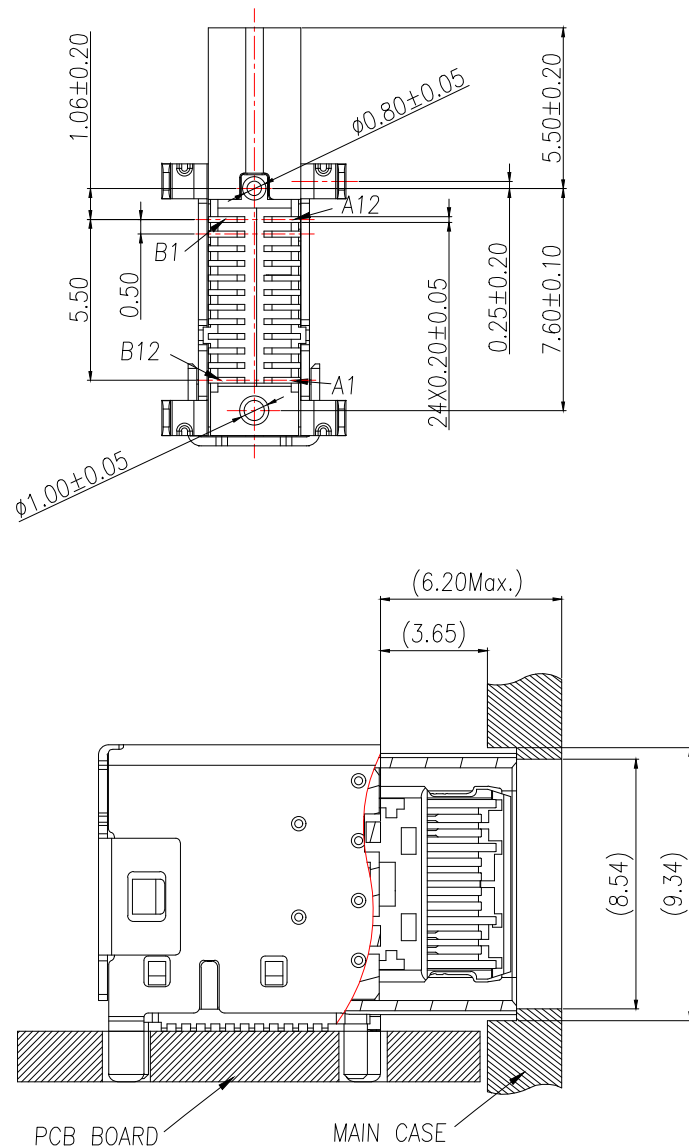


制图 DRAWN	变更内容 DESCRIPTION	日期 DATE	GENERAL TOLERANCE		制图 DRAWING	EMMA	料号 PART NO.	BX-TYPEC-CCM24-L177	版本 REV.	A
			.X±0.30	X°±10°	审核 CHECK	EVA	品名 TITLE	USB TYPE C SMT TYPE UPRIGHT STRAIGHT TAB 24 PIN	页次 SHEET	1/1
			.XX±0.20	.X°±8°	核准 APPROVAL	JADE	客户料号 CUTM.NO.			
			.XXX±0.10	.XX°±5°	单位 UNITS	MM	比例 SCALE	1:1		



ASSEMBLY WITH MAIN CASE

NOTE:

1.MATERIAL SPECIFICATION:

- 1.HOUSING:PA9T,UL94 V-0.
- 2.TERMINAL: COPPER ALLOY(C18150)
- 3.MID PLATE: STAINLESS STEEL(SUS301)
- 4.INNER SHELL: STAINLESS STEEL(SUS304)
- 5.COVER: STAINLESS STEEL(SUS304)

2.PLATING SPECIFICATION:

2-1.TERMINAL:

Ni 50u" MIN. UNDER PLATED OVER ALL.

Au PLATED ON THE FUNCTIONAL AREA OF CONTACT.

(GOLD PLATING THICKNESS Au:3u")

PLATING SPECIFICATIONS OF THE SOLDER AREA Au:G/F

2-2.INNER SHELL&COVER SHELL:

Ni 30u" MIN. UNDER PLATED OVER ALL.

2-3.MID PLATE:

CLEAR ONLY

3.MECHANICAL PERFORMANCE,

3-1.INSERTION FORCE: 0.5~2.0kgf.

3-2.REMOVAL FORCE: 0.8kgf~2.0kgf.

3-3.DURABILITY: 10000 CYCLES.

4.ELECTRICAL PERFORMANCE,

4-1. VOLTAGE RATING: 5V.

CURRENT RATING: 5A.

4-2. LLCR:

VBUS & GND PINS AND OTHER PINS: 40mA/PIN MAX.

LLCR MAX. CHANGE OF ALL PINS: 10mA.

4-3.INSULATION RESISTANCE: 100MΩ MIN

4-4.DIELECTRIC WITHSTAND VOLTAGE,AC 100V FOR 1 MINUTE.

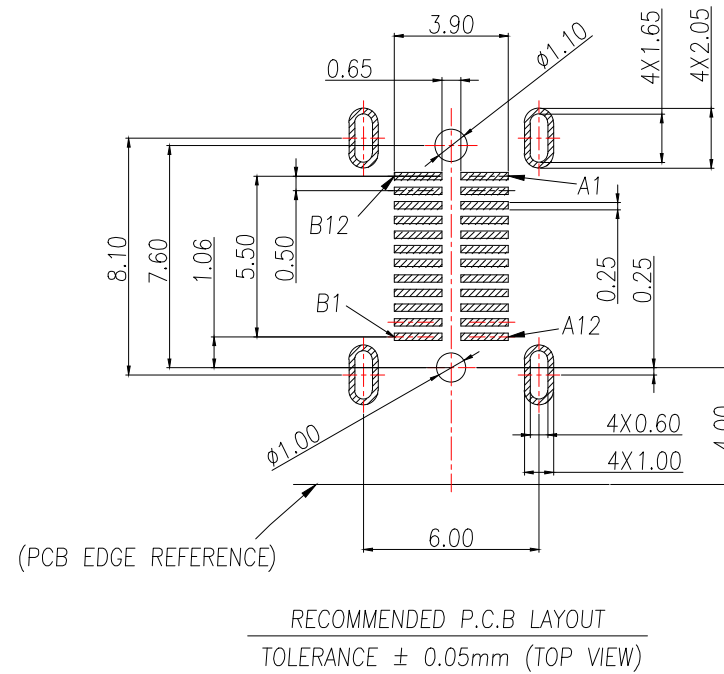
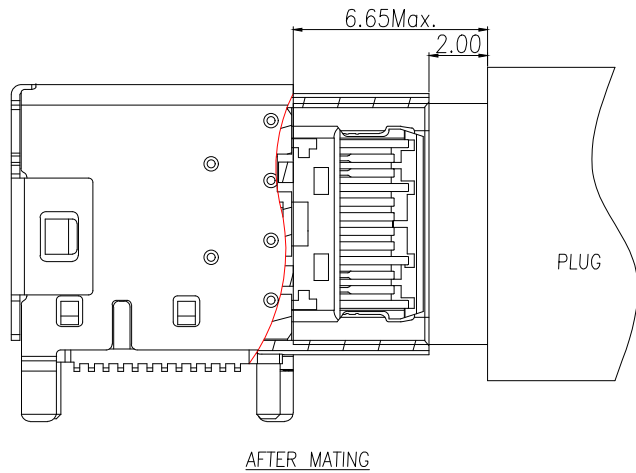
5. ENVIRONMENTAL PERFORMANCE:

OPERATING TEMPERATURE: -40°C~+85°C.

6.IR REFLOW:

THE PEAK TEMPERATURE ON THE BOARD SHALL BE MAINTAINED FOR 10 SECONDS AT 260°C.

制图 DRAWN	变更内容 DESCRIPTION	日期 DATE	GENERAL TOLERANCE		制图 DRAWING	EMMA		料号 PART NO.	BX-TYPEC-CCM24-L177		版本 REV.	A
			.X±0.30	X'±10°	审核 CHECK	EVA		品名 TITLE	USB TYPE C SMT TYPE UPRIGHT STRAIGHT TAB 24 PIN		页次 SHEET	1/1
			.XX±0.20	.X'±8°	核准 APPROVAL	JADE		客户料号 CUTM.NO.				
			.XXX±0.10	.XX'±5°	单位 UNITS	MM	比例 SCALE	1:1				

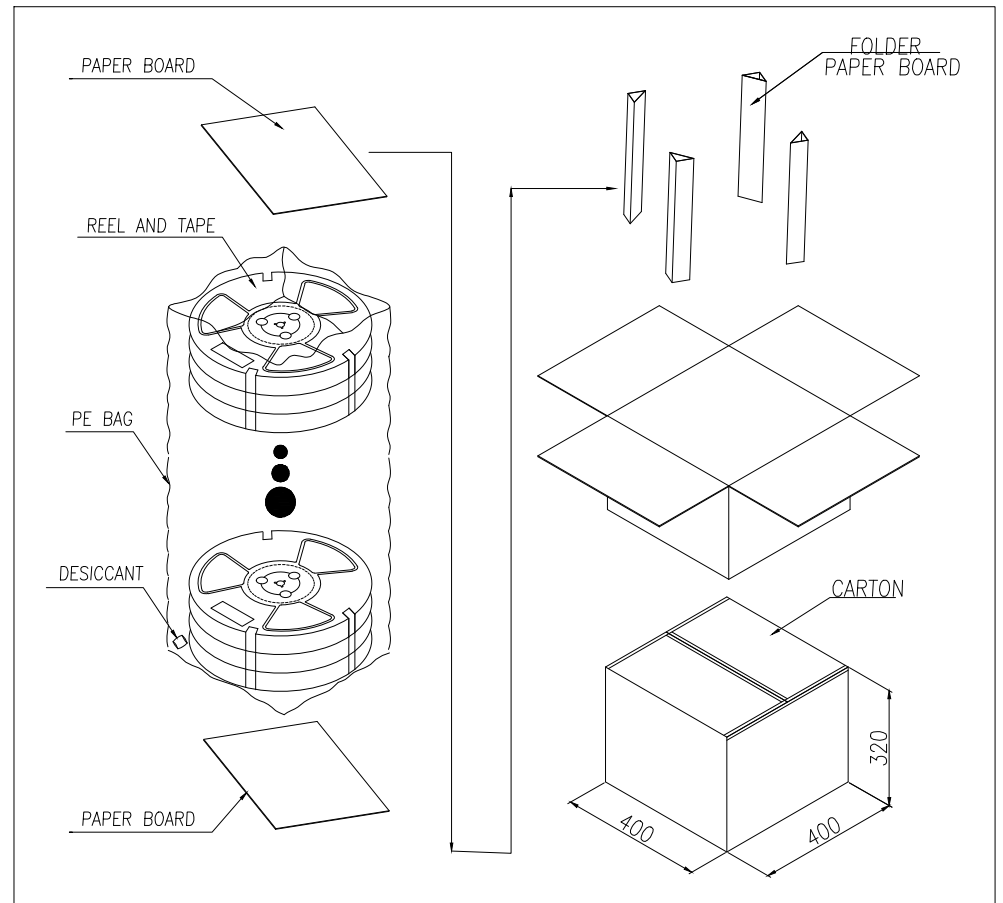
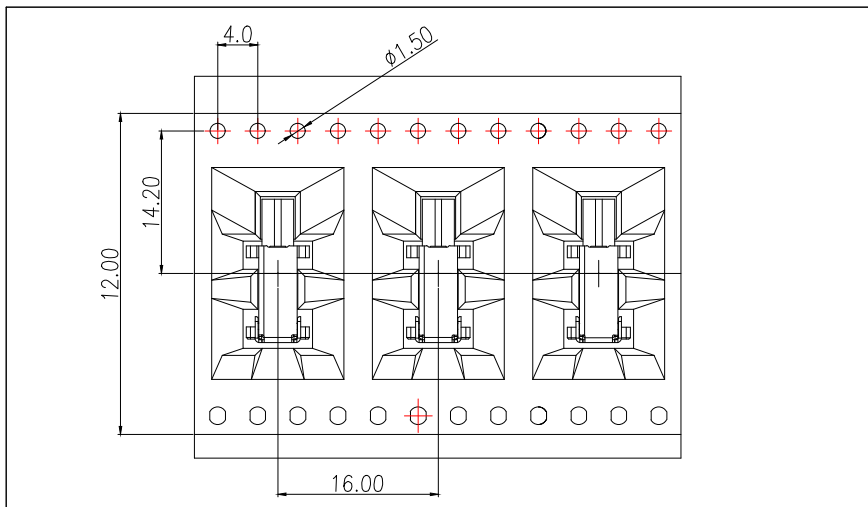
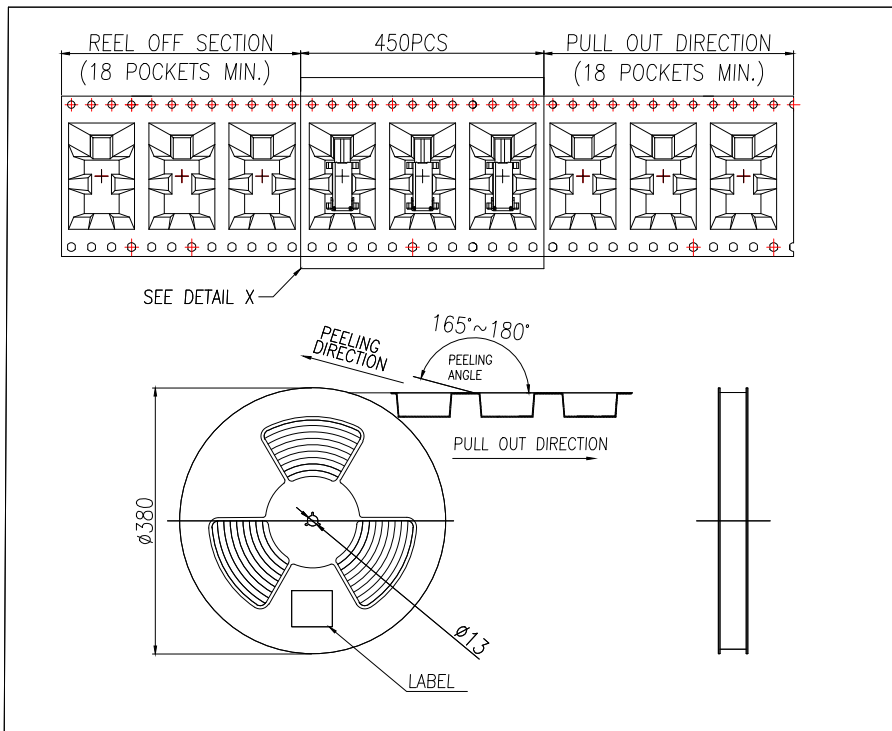


USB TYPE-C PIN ASSIGNMENTS

PIN NUMBER	SIGNAL NAME	PIN NUMBER	SIGNAL NAME
A1	GND	B12	GND
A2	TXp1	B11	RXp1
A3	TXn1	B10	RXn1
A4	V BUS	B9	V BUS
A5	CC1	B8	SBU2
A6	Dp1	B7	Dn2
A7	Dn1	B6	Dp2
A8	SBU1	B5	CC2
A9	V BUS	B4	V BUS
A10	RXn2	B3	TXn2
A11	RXp2	B2	TXp2
A12	GND	B1	GND

制图 DRAWN	变更内容 DESCRIPTION	日期 DATE	GENERAL TOLERANCE		制图 DRAWING	EMMA EVA JADE	料号 PART NO.	BX-TYPEC-CCM24-L177	版本 REV.	A	
			.X $\pm$ 0.30	X. $\pm$ 10°	审核 CHECK			品名 TITLE	USB TYPE C SMT TYPE UPRIGHT STRAIGHT TAB 24 PIN	页次 SHEET	1/1
			.XX $\pm$ 0.20	.X. $\pm$ 8°	核准 APPROVAL			客户料号 CUTM.NO.			
			.XXX $\pm$ 0.10	.XX. $\pm$ 5°	单位 UNITS		MM	比例 SCALE	1:1		

**Bossie (博锡)**



	REEL	CARTON
CONNECTOR (PCS)	450	2700

制图 DRAWN	变更内容 DESCRIPTION	日期 DATE	GENERAL TOLERANCE	制图 DRAWING	EMMA
			.X±0.30 X:±10°	审核 CHECK	EVA
			.XX±0.20 .X*±8°	核准 APPROVAL	JADE
			.XXX±0.10 .XX*±5°	单位 UNITS	MM
				比例 SCALE	1:1

料号 PART NO.	BX-TYPEC-CCM24-L177	版本 REV.	A
品名 TITLE	USB TYPE C SMT TYPE UPRIGHT STRAIGHT TAB 24 PIN	页次 SHEET	1/1
客户料号 CUTM.NO.			
<b>Bossie (博锡)</b>			