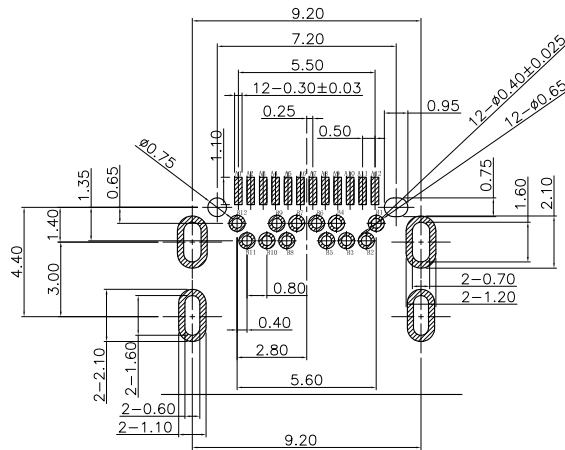
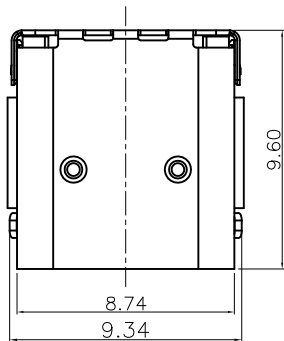


REV. (版本号)	DESCRIPTION (变更说明)	DATE (日期)	APPD (核准)
A0	新订图面	2021. 12. 25	Yuxiang



RECOMMENDED P.C.B LAYOUT  
PCB THICKNESS 1.0±0.05mm

NOTE:

1.MATERIAL:

- 1.1 INSULATOR: HIGH TEMPERATURE PLASTIC LCP UL 94 V-0;
- 1.2 CONTACT: COPPER ALLOY
- 1.3 SHELL:STAINLESS STEEL SUS304
- 1.4 MYLAR:POLYIMIDE

2.ELECTRICAL CHARACTERISTICS;

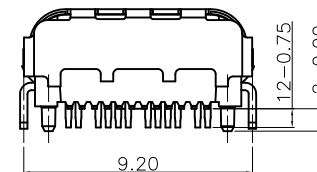
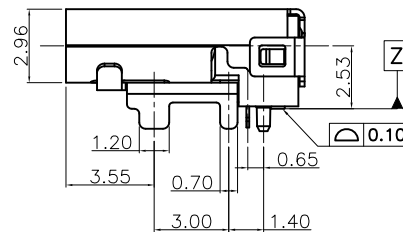
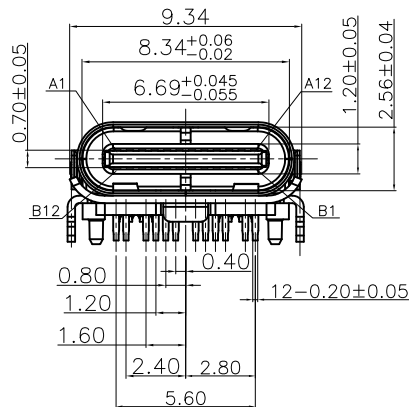
- 2.1 CONTACT RESISTANCE: 40mΩ Max FOR INITIAL. 10mΩ CHANGE AFTER TEST. MEASURE AT 20mV, 100mA.
- 2.2 CONTACT CURRENT RATING: 5A FOR VBUS PIN; 1.25A FOR VCONN PIN.
- 2.3 DIELECTRIC WITHSTANDING VOLTAGE: 100V AC R.M.S.
- 2.4 INSULATION RESISTANCE 100MΩ Min
- 2.5 OPERATING TEMPERATURE: -40°C ~ 85°C

3 MECHANICAL CHARACTERISTICS:

- 3.1 MATING FORCE: 5~20 N.
- 3.2 UNMATED FORCE: 8~20N AFTER TEST
- 3.3 DURABILITY: 10,000 CYCLES

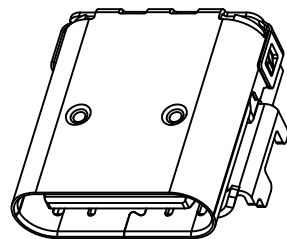
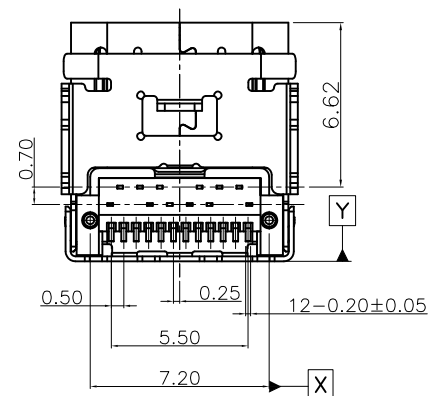
4.PLATING

- 4.1 TERMINAL CONTACT: (SEE TAB) GOLD PLATING 1u" ALL OVER 50u" Min NICKEL AND 80u"Min Tin ALL OVER 50u" Min NICKEL ON SOLDER AREA
- 4.2 SHELL: 50u" Min. NICKEL ALL OVER,



USB TYPE C PIN ASSIGNMENTS

PIN NUMBER	SIGNAL NAME	PIN NUMBER	SIGNAL NAME
A1	GND	B12	GND
A2	TX1+	B11	RX1+
A3	TX1-	B10	RX1-
A4	VBUS	B9	VBUS
A5	CC1	B8	SBU2
A6	DP1	B7	DN2
A7	DN1	B6	DP2
A8	SBU1	B5	CC2
A9	VBUS	B4	VBUS
A10	RX2-	B3	TX2-
A11	RX2+	B2	TX2+
A12	GND	B1	GND

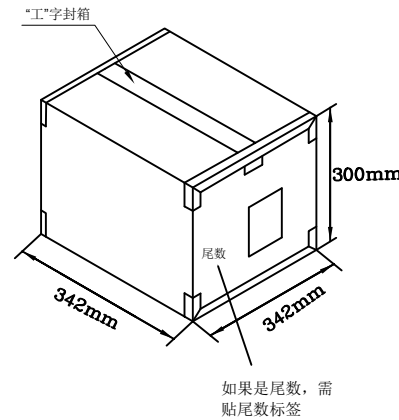
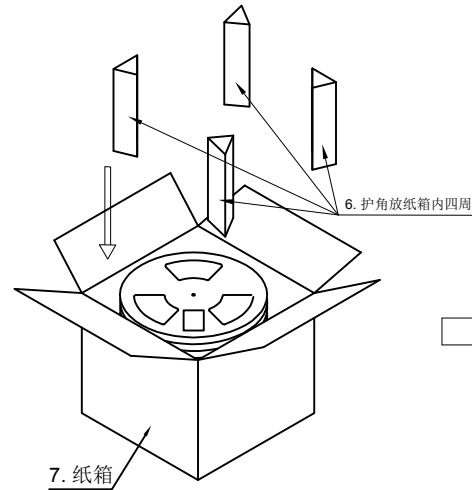
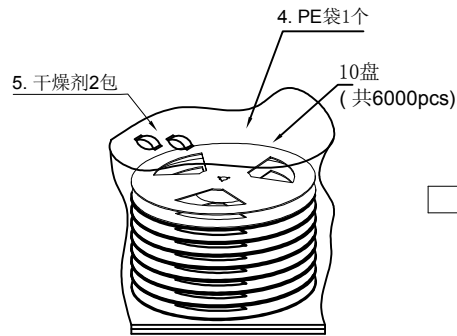
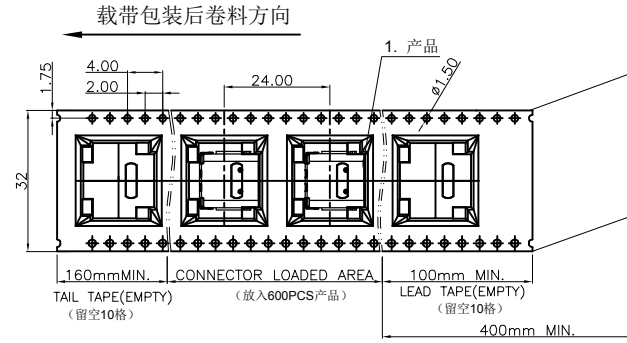
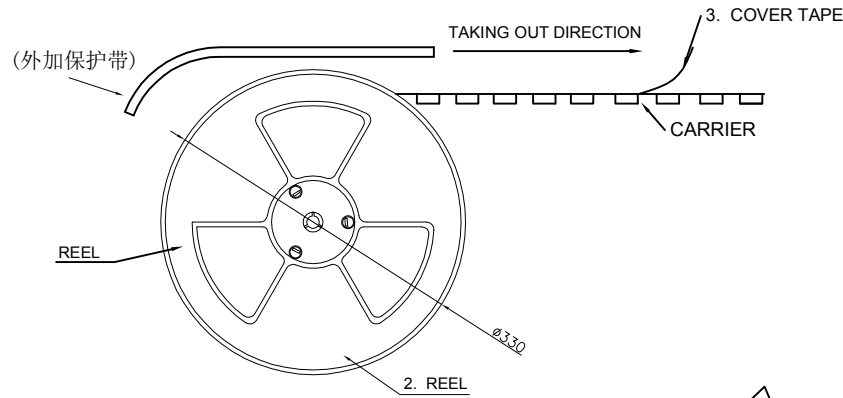


 深圳市宇文发电子科技有限公司 Shen Zhen Yu Wen Fa Electronics Technology Co.,Ltd TEL:0755-27711235 FAX:0755-27712683	品名 (ITEM NO)	TYPE C 24P前插后贴加高款
	料号 (PART NO)	PTCFW-H27C-012
图号 (DWG NO)	P-TCF-062	

页码 (SHEET)	1/1	单位(UNIT): MM
版本 (REV)	A0	比例(SCALE) 1:1
日期 (DATE)	2021. 12. 25	
设计 (DESIGN)	Yuxiang	未注公差 TOLERANCE UNSPECIFIED
审核 (CHECKED)		X.X ±0.30
核准 (APPROVED)		X.XX ±0.20
		X.XXX ±0.10
		X° ±5°
		X.X° ±2°

RoHS Compliant

REV.	ECN NO	DESCRIPTION	REVISER	DATE
A/0				
A/1				



Notes:

1. 每卷前后各空10PCS.尾部用美纹胶纸封住,
2. 将产品放入载带内, 共放600PCS, 放满盘后, 再卷一圈保护带, 保护带最后重叠约50MM, 用美纹胶纸将其封住
3. 每10卷盘装入一个防水袋, 再放入2包干燥剂, 然后放入1个外箱内; 纸箱内四周放护角;
4. 在搬运过程中要轻拿轻放.
5. 在运输中不可堆放过多, 不可有重压现象.
6. 跌落测试条件:  
成品箱子从1.5米高自由落体;(三棱六面一角)检验项目:  
1. 产品不可跑出下带凹槽.  
2. 产品不可有摔伤, 变形.  
3. 外箱及内包装材料不可严重破损.

图号 (DWG NO)		单位 (UNIT): MM	<b>深圳市宇文发电子科技有限公司</b> Shen Zhen Yu Wen Fa Electronics Technology Co., Ltd TEL: 0755-27711235 FAX: 0755-27712683	
日期 (DATE)	2022. 06. 24	比例 (SCALE) 1:1		
版次 (REV): A/0	页/次(PAGE): 1/1			
设计 (DESIGN)	YUXIANG	<b>包装规范</b>	品名 (ITEM NO)	TYPE CF 24P DIP+SMT CONN加高款包规
审核 (CHECKED)			料号 (PART NO)	A-004R-114
核准 (APPROVED)				