

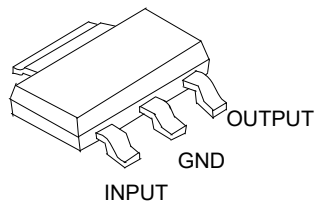
1. Description

The 78MXX three-terminal positive regulators are available in the TO-252 package with several fixed output voltages making it useful in a wide range of applications.

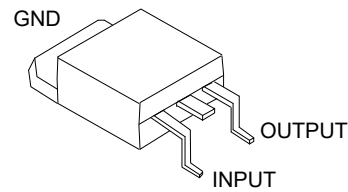
2. Features

- Output Current up to 1A
- Output Voltages of 5,6,8,9,12,15,18,24V
- Thermal Overload Protection Short Circuit Protection
- Output Transistor Safe Operating area (SOA) Protection

3. Pinning information

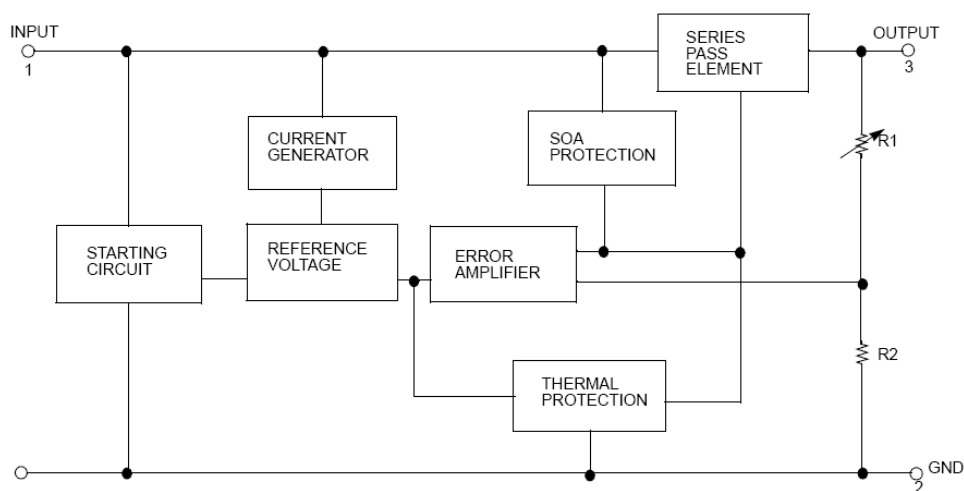


SOT-223



TO-252

4. Internal Block Diagram





5. Absolute Maximum Rating

Parameter		Symbol	Value	Units
DC Input Voltage	for $V_O=5$ to 18V	V_I	35	V
	for $V_O=24$ V		40	V
Output Current		I_{OUT}	1	A
Power Dissipation ($T_C=25^\circ\text{C}$)	SOT-223	P_D	1	W
	TO-252		2	W
Junction Temperature		T_J	-20 to 125	$^\circ\text{C}$
Storage Temperature		T_{STG}	-55 to 150	$^\circ\text{C}$

6. Thermal Data

Parameter		Symbol	Value	Units
Junction to Case	SOT-223	θ_{JC}	15	$^\circ\text{C/W}$
	TO-252		12.5	$^\circ\text{C/W}$



7.1 Electrical Characteristics (78M05)

(Refer to the test circuits, $0 < T_J < +125^\circ\text{C}$, $I_o = 350\text{mA}$, $V_i = 10\text{V}$, unless otherwise specified, $C_i = 0.33\mu\text{F}$, $C_o = 0.1\mu\text{F}$)

Parameter	Symbol	Conditions	Min	Typ	Max	Units
Output Voltage	V_o	25°C	4.8	5	5.2	V
		$I_o = 5\text{mA} \sim 350\text{mA}$, $V_i = 7 \sim 20\text{V}$	4.75	5	5.25	V
Line Regulation(Note)	ΔV_o	$I_o = 200\text{mA}$			100	mV
		$T_J = 25^\circ\text{C}$	$V_i = 7\text{V} \sim 25\text{V}$			50
Load Regulation(Note)	ΔV_o	$T_J = 25^\circ\text{C}$			100	mV
			$I_o = 5\text{mA} \sim 200\text{mA}$			50
Quiescent Current	I_q	$T_J = 25^\circ\text{C}$			6	mA
Quiescent Current Change	ΔI_q	$I_o = 5\text{mA} \sim 350\text{mA}$			0.5	mA
		$I_o = 200\text{mA}$, $V_i = 8 \sim 25\text{V}$			0.8	mA
Output Voltage Drift	$\Delta V/\Delta T$	$I_o = 5\text{mA}$, $T_J = 0 \sim 125^\circ\text{C}$		-0.5		mV/ $^\circ\text{C}$
Output Noise Voltage	V_N	$f = 10\text{Hz} \sim 100\text{KHz}$		40		μV
Ripple Rejection	RR	$f = 120\text{Hz}$, $V_i = 8 \sim 18\text{V}$		80		dB
Dropout Voltage	V_D	$T_J = 25^\circ\text{C}$, $I_o = 500\text{mA}$		2		V
Short Circuit Current	I_{SC}	$T_J = 25^\circ\text{C}$, $V_i = 35\text{V}$		800		mA
Peak Current	I_{PK}	$T_J = 25^\circ\text{C}$		1300		mA

Notes:

Load and line regulation are specified at constant junction temperature. Change in V_o due to heating effects must be taken into account separately. Pulse testing with low duty is used.



7.2 Electrical Characteristics (78M06)

(Refer to the test circuits, $0 < T_J < +125^\circ\text{C}$, $I_o = 350\text{mA}$, $V_i = 11\text{V}$, unless otherwise specified, $C_i = 0.33\mu\text{F}$, $C_o = 0.1\mu\text{F}$)

Parameter	Symbol	Conditions	Min	Typ	Max	Units
Output Voltage	V_o	25°C	5.76	6	6.24	V
		$I_o = 5\text{mA} \sim 350\text{mA}$, $V_i = 8 \sim 21\text{V}$	5.7	6	6.3	V
Line Regulation(Note)	ΔV_o	$I_o = 200\text{mA}$			100	mV
		$T_J = 25^\circ\text{C}$	$V_i = 8\text{V} \sim 25\text{V}$			50
Load Regulation(Note)	ΔV_o	$T_J = 25^\circ\text{C}$			120	mV
			$I_o = 5\text{mA} \sim 200\text{mA}$			60
Quiescent Current	I_q	$T_J = 25^\circ\text{C}$			8	mA
Quiescent Current Change	ΔI_q	$I_o = 5\text{mA} \sim 350\text{mA}$			0.5	mA
		$I_o = 200\text{mA}$, $V_i = 9 \sim 25\text{V}$			0.8	mA
Output Voltage Drift	$\Delta V/\Delta T$	$I_o = 5\text{mA}$, $T_J = 0 \sim 125^\circ\text{C}$		-0.5		mV/ $^\circ\text{C}$
Output Noise Voltage	V_N	$f = 10\text{Hz} \sim 100\text{KHz}$		45		μV
Ripple Rejection	RR	$f = 120\text{Hz}$, $V_i = 9 \sim 19\text{V}$		80		dB
Dropout Voltage	V_D	$T_J = 25^\circ\text{C}$, $I_o = 500\text{mA}$		2		V
Short Circuit Current	I_{SC}	$T_J = 25^\circ\text{C}$, $V_i = 35\text{V}$		800		mA
Peak Current	I_{PK}	$T_J = 25^\circ\text{C}$		1300		mA

Notes:

Load and line regulation are specified at constant junction temperature. Change in V_o due to heating effects must be taken into account separately. Pulse testing with low duty is used.



7.3 Electrical Characteristics (78M08)

(Refer to the test circuits, $0 < T_J < +125^\circ\text{C}$, $I_o = 350\text{mA}$, $V_i = 14\text{V}$, unless otherwise specified, $C_i = 0.33\mu\text{F}$, $C_o = 0.1\mu\text{F}$)

Parameter	Symbol	Conditions	Min	Typ	Max	Units
Output Voltage	V_o	25°C	7.68	8	8.32	V
		$I_o = 5\text{mA} \sim 350\text{mA}$, $V_i = 10.5 \sim 23\text{V}$	7.6	8	8.4	V
Line Regulation(Note)	ΔV_o	$I_o = 200\text{mA}$			100	mV
		$T_J = 25^\circ\text{C}$	$V_i = 10.5\text{V} \sim 25\text{V}$			50
Load Regulation(Note)	ΔV_o	$T_J = 25^\circ\text{C}$			160	mV
			$I_o = 5\text{mA} \sim 200\text{mA}$			80
Quiescent Current	I_q	$T_J = 25^\circ\text{C}$			6	mA
Quiescent Current Change	ΔI_q	$I_o = 5\text{mA} \sim 350\text{mA}$			0.5	mA
		$I_o = 200\text{mA}$, $V_i = 10.5 \sim 25\text{V}$			0.8	mA
Output Voltage Drift	$\Delta V/\Delta T$	$I_o = 5\text{mA}$, $T_J = 0 \sim 125^\circ\text{C}$		-0.8		mV/ $^\circ\text{C}$
Output Noise Voltage	V_N	$f = 10\text{Hz} \sim 100\text{KHz}$		52		μV
Ripple Rejection	RR	$f = 120\text{Hz}$, $V_i = 11.5 \sim 21.5\text{V}$		80		dB
Dropout Voltage	V_D	$T_J = 25^\circ\text{C}$, $I_o = 500\text{mA}$		2		V
Short Circuit Current	I_{SC}	$T_J = 25^\circ\text{C}$, $V_i = 35\text{V}$		800		mA
Peak Current	I_{PK}	$T_J = 25^\circ\text{C}$		1300		mA

Notes:

Load and line regulation are specified at constant junction temperature. Change in V_o due to heating effects must be taken into account separately. Pulse testing with low duty is used.



7.4 Electrical Characteristics (78M09)

(Refer to the test circuits, $0 < T_J < +125^\circ\text{C}$, $I_o = 350\text{mA}$, $V_i = 15\text{V}$, unless otherwise specified, $C_i = 0.33\mu\text{F}$, $C_o = 0.1\mu\text{F}$)

Parameter	Symbol	Conditions	Min	Typ	Max	Units
Output Voltage	V_o	25°C	8.64	9	9.36	V
		$I_o = 5\text{mA} \sim 350\text{mA}$, $V_i = 11.5 \sim 24\text{V}$	8.45	9	9.55	V
Line Regulation(Note)	ΔV_o	$I_o = 200\text{mA}$			100	mV
		$T_J = 25^\circ\text{C}$	$V_i = 11.5\text{V} \sim 25\text{V}$			50
Load Regulation(Note)	ΔV_o	$T_J = 25^\circ\text{C}$			180	mV
			$I_o = 5\text{mA} \sim 200\text{mA}$			90
Quiescent Current	I_Q	$T_J = 25^\circ\text{C}$			6	mA
Quiescent Current Change	ΔI_Q	$I_o = 5\text{mA} \sim 350\text{mA}$			0.5	mA
		$I_o = 200\text{mA}$, $V_i = 11.5 \sim 25\text{V}$			0.8	mA
Output Voltage Drift	$\Delta V/\Delta T$	$I_o = 5\text{mA}$, $T_J = 0 \sim 125^\circ\text{C}$		-0.8		mV/ $^\circ\text{C}$
Output Noise Voltage	V_N	$f = 10\text{Hz} \sim 100\text{KHz}$		52		μV
Ripple Rejection	RR	$f = 120\text{Hz}$, $V_i = 12.5 \sim 22.5\text{V}$		80		dB
Dropout Voltage	V_D	$T_J = 25^\circ\text{C}$, $I_o = 500\text{mA}$		2		V
Short Circuit Current	I_{SC}	$T_J = 25^\circ\text{C}$, $V_i = 35\text{V}$		800		mA
Peak Current	I_{PK}	$T_J = 25^\circ\text{C}$		1300		mA

Notes:

Load and line regulation are specified at constant junction temperature. Change in V_o due to heating effects must be taken into account separately. Pulse testing with low duty is used.



7.5 Electrical Characteristics (78M12)

(Refer to the test circuits, $0 < T_J < +125^\circ\text{C}$, $I_o = 350\text{mA}$, $V_i = 19\text{V}$, unless otherwise specified, $C_i = 0.33\mu\text{F}$, $C_o = 0.1\mu\text{F}$)

Parameter	Symbol	Conditions	Min	Typ	Max	Units
Output Voltage	V_o	25°C	11.52	12	12.48	V
		$I_o = 5\text{mA} \sim 350\text{mA}$, $V_i = 14.5 \sim 27\text{V}$	11.4	12	12.6	V
Line Regulation(Note)	ΔV_o	$I_o = 200\text{mA}$			100	mV
		$T_J = 25^\circ\text{C}$	$V_i = 14.5\text{V} \sim 30\text{V}$			50
Load Regulation(Note)	ΔV_o	$T_J = 25^\circ\text{C}$			240	mV
			$I_o = 5\text{mA} \sim 200\text{mA}$			120
Quiescent Current	I_q	$T_J = 25^\circ\text{C}$			6	mA
Quiescent Current Change	ΔI_q	$I_o = 5\text{mA} \sim 350\text{mA}$			0.5	mA
		$I_o = 200\text{mA}$, $V_i = 14.5 \sim 30\text{V}$			0.8	mA
Output Voltage Drift	$\Delta V / \Delta T$	$I_o = 5\text{mA}$, $T_J = 0 \sim 125^\circ\text{C}$		-0.8		mV/ $^\circ\text{C}$
Output Noise Voltage	V_N	$f = 10\text{Hz} \sim 100\text{KHz}$		75		μV
Ripple Rejection	RR	$f = 120\text{Hz}$, $V_i = 15 \sim 25\text{V}$		80		dB
Dropout Voltage	V_D	$T_J = 25^\circ\text{C}$, $I_o = 500\text{mA}$		2		V
Short Circuit Current	I_{SC}	$T_J = 25^\circ\text{C}$, $V_i = 35\text{V}$		800		mA
Peak Current	I_{PK}	$T_J = 25^\circ\text{C}$		1300		mA

Notes:

Load and line regulation are specified at constant junction temperature. Change in V_o due to heating effects must be taken into account separately. Pulse testing with low duty is used.



7.6 Electrical Characteristics (78M15)

(Refer to the test circuits, $0 < T_J < +125^\circ\text{C}$, $I_o = 350\text{mA}$, $V_i = 23\text{V}$, unless otherwise specified, $C_i = 0.33\mu\text{F}$, $C_o = 0.1\mu\text{F}$)

Parameter	Symbol	Conditions	Min	Typ	Max	Units
Output Voltage	V_o	25°C	14.4	15	15.6	V
		$I_o = 5\text{mA} \sim 350\text{mA}$, $V_i = 17.5 \sim 30\text{V}$	14.25	15	15.75	V
Line Regulation(Note)	ΔV_o	$I_o = 200\text{mA}$			100	mV
		$T_J = 25^\circ\text{C}$	$V_i = 17.5\text{V} \sim 30\text{V}$			50
Load Regulation(Note)	ΔV_o	$T_J = 25^\circ\text{C}$			300	mV
			$I_o = 5\text{mA} \sim 200\text{mA}$			150
Quiescent Current	I_q	$T_J = 25^\circ\text{C}$			6	mA
Quiescent Current Change	ΔI_q	$I_o = 5\text{mA} \sim 350\text{mA}$			0.5	mA
		$I_o = 200\text{mA}$, $V_i = 17.5 \sim 30\text{V}$			0.8	mA
Output Voltage Drift	$\Delta V/\Delta T$	$I_o = 5\text{mA}$, $T_J = 0 \sim 125^\circ\text{C}$		-1		mV/ $^\circ\text{C}$
Output Noise Voltage	V_N	$f = 10\text{Hz} \sim 100\text{KHz}$		100		μV
Ripple Rejection	RR	$f = 120\text{Hz}$, $V_i = 18.5 \sim 28.5\text{V}$		70		dB
Dropout Voltage	V_D	$T_J = 25^\circ\text{C}$, $I_o = 500\text{mA}$		2		V
Short Circuit Current	I_{SC}	$T_J = 25^\circ\text{C}$, $V_i = 35\text{V}$		800		mA
Peak Current	I_{PK}	$T_J = 25^\circ\text{C}$		1300		mA

Notes:

Load and line regulation are specified at constant junction temperature. Change in V_o due to heating effects must be taken into account separately. Pulse testing with low duty is used.



7.7 Electrical Characteristics (78M18)

(Refer to the test circuits, $0 < T_J < +125^\circ\text{C}$, $I_o = 350\text{mA}$, $V_i = 26\text{V}$, unless otherwise specified, $C_i = 0.33\mu\text{F}$, $C_o = 0.1\mu\text{F}$)

Parameter	Symbol	Conditions	Min	Typ	Max	Units
Output Voltage	V_o	25°C	17.28	18	18.72	V
		$I_o = 5\text{mA} \sim 350\text{mA}$, $V_i = 20.5 \sim 33\text{V}$	17.1	18	18.9	V
Line Regulation(Note)	ΔV_o	$I_o = 200\text{mA}$			100	mV
		$T_J = 25^\circ\text{C}$	$V_i = 21\text{V} \sim 33\text{V}$			50
Load Regulation(Note)	ΔV_o	$T_J = 25^\circ\text{C}$			360	mV
			$I_o = 5\text{mA} \sim 200\text{mA}$			180
Quiescent Current	I_q	$T_J = 25^\circ\text{C}$			6	mA
Quiescent Current Change	ΔI_q	$I_o = 5\text{mA} \sim 350\text{mA}$			0.5	mA
		$I_o = 200\text{mA}$, $V_i = 21 \sim 33\text{V}$			0.8	mA
Output Voltage Drift	$\Delta V/\Delta T$	$I_o = 5\text{mA}$, $T_J = 0 \sim 125^\circ\text{C}$		-1.2		mV/ $^\circ\text{C}$
Output Noise Voltage	V_N	$f = 10\text{Hz} \sim 100\text{KHz}$		100		μV
Ripple Rejection	RR	$f = 120\text{Hz}$, $V_i = 22 \sim 32\text{V}$		70		dB
Dropout Voltage	V_D	$T_J = 25^\circ\text{C}$, $I_o = 500\text{mA}$		2		V
Short Circuit Current	I_{SC}	$T_J = 25^\circ\text{C}$, $V_i = 35\text{V}$		800		mA
Peak Current	I_{PK}	$T_J = 25^\circ\text{C}$		1300		mA

Notes:

Load and line regulation are specified at constant junction temperature. Change in V_o due to heating effects must be taken into account separately. Pulse testing with low duty is used.



7.8 Electrical Characteristics (78M24)

(Refer to the test circuits, $0 < T_J < +125^\circ\text{C}$, $I_o = 350\text{mA}$, $V_i = 33\text{V}$, unless otherwise specified, $C_i = 0.33\mu\text{F}$, $C_o = 0.1\mu\text{F}$)

Parameter	Symbol	Conditions	Min	Typ	Max	Units
Output Voltage	V_o	25°C	23.04	24	24.96	V
		$I_o = 5\text{mA} \sim 350\text{mA}$, $V_i = 27 \sim 35\text{V}$	22.8	24	25.2	V
Line Regulation(Note)	ΔV_o	$I_o = 200\text{mA}$			100	mV
		$T_J = 25^\circ\text{C}$			50	mV
Load Regulation(Note)	ΔV_o	$T_J = 25^\circ\text{C}$			480	mV
					240	mV
Quiescent Current	I_q	$T_J = 25^\circ\text{C}$			6	mA
Quiescent Current Change	ΔI_q	$I_o = 5\text{mA} \sim 350\text{mA}$			0.5	mA
		$I_o = 200\text{mA}$, $V_i = 27 \sim 38\text{V}$			0.8	mA
Output Voltage Drift	$\Delta V/\Delta T$	$I_o = 5\text{mA}$, $T_J = 0 \sim 125^\circ\text{C}$		-1.2		mV/ $^\circ\text{C}$
Output Noise Voltage	V_N	$f = 10\text{Hz} \sim 100\text{KHz}$		170		μV
Ripple Rejection	RR	$f = 120\text{Hz}$, $V_i = 28 \sim 38\text{V}$		70		dB
Dropout Voltage	V_D	$T_J = 25^\circ\text{C}$, $I_o = 500\text{mA}$		2		V
Short Circuit Current	I_{SC}	$T_J = 25^\circ\text{C}$, $V_i = 35\text{V}$		800		mA
Peak Current	I_{PK}	$T_J = 25^\circ\text{C}$		1300		mA

Notes:

Load and line regulation are specified at constant junction temperature. Change in V_o due to heating effects must be taken into account separately. Pulse testing with low duty is used.

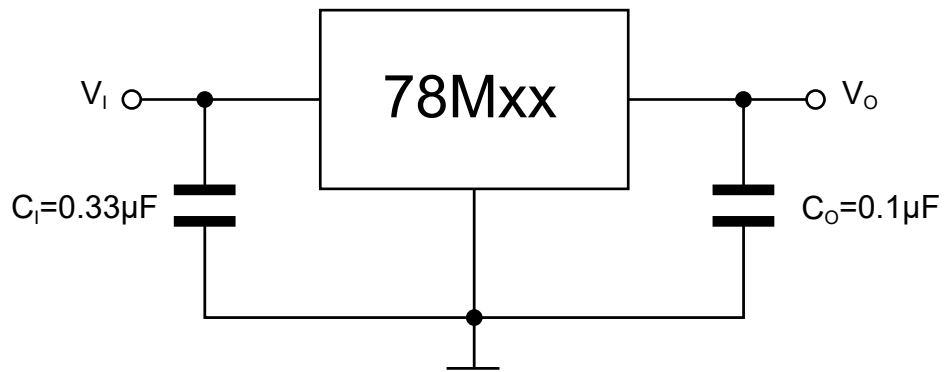


8.1 Typical characteristic

<p>Figure 1: Static current</p>	<p>Figure 2: Transfer Characteristics</p>
<p>Figure 3: Output voltage</p>	<p>Figure 4: Static current</p>

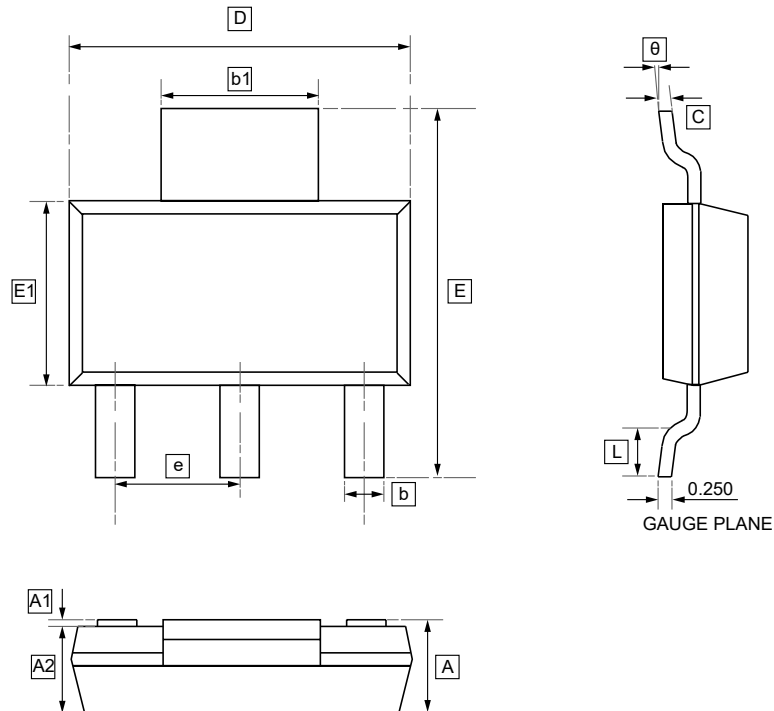


9. Typical Application





10.1SOT-223 Package Outlie Dimensions

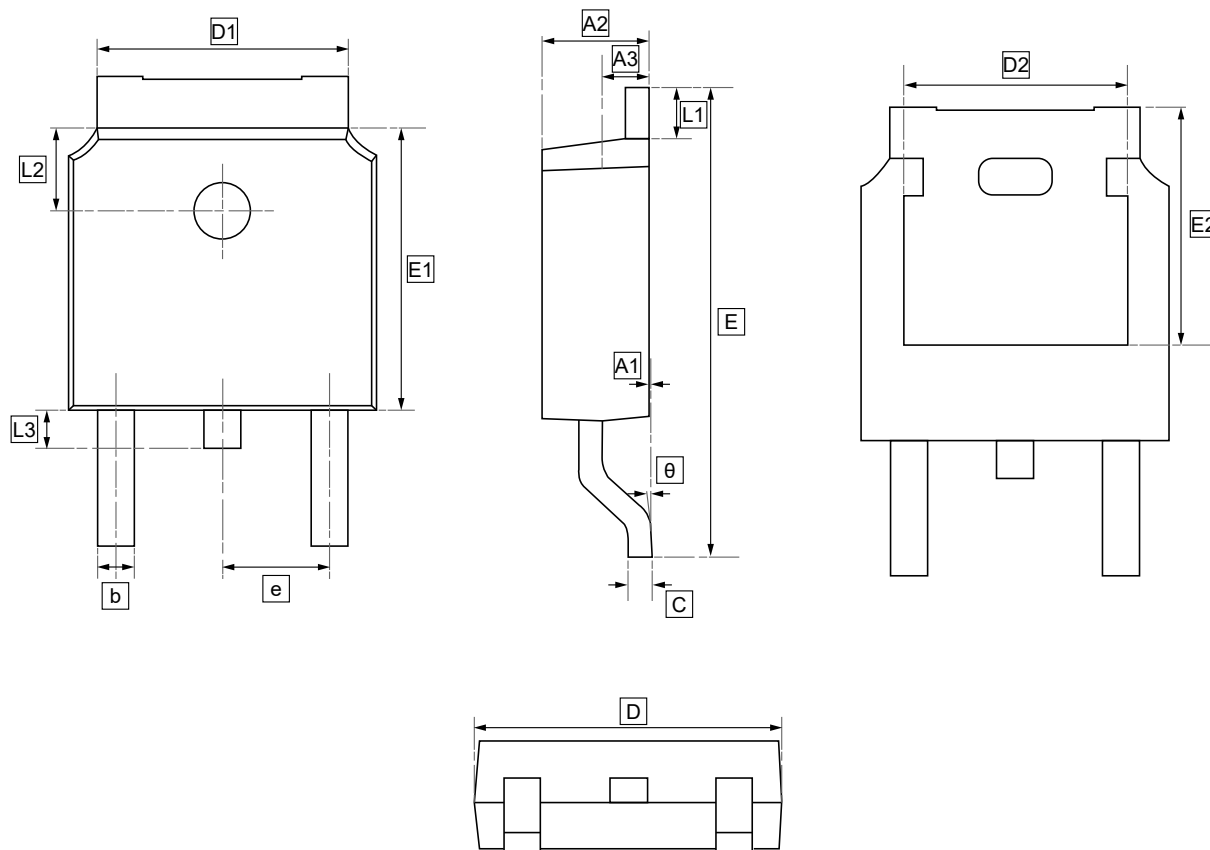


DIMENSIONS (mm are the original dimensions)

Symbol	A	A1	A2	b	b1	c	D	E	E1	e	L	θ
Min	-	0.020	1.500	0.660	2.900	0.230	6.300	6.700	3.300	2.300	0.750	0°
Max	1.800	0.100	1.700	0.840	3.100	0.350	6.700	7.300	3.700	BSC	-	10°



10.2TO-252 Package Outline Dimensions

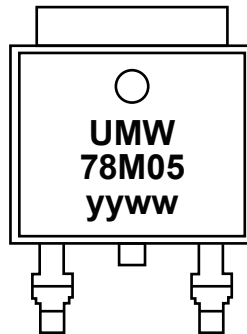


DIMENSIONS (mm are the original dimensions)

Symbol	A1	A2	A3	b	c	D	D1	D2	E	E1	E2	e	L1	L2	L3	θ
Min	0.00	2.18	0.90	0.65	0.46	6.35	4.95	4.32	9.40	5.97	5.21	2.286	0.89	1.70	0.60	0.00
Max	0.13	2.39	1.10	0.85	0.61	6.73	5.46	4.90	10.41	6.22	5.38		BSC	1.27	1.90	1.00



11. Ordering information



yy: Year Code
ww: Week Code

Order Code	Marking	Package	Base QTY	Delivery Mode
UMW 78M05	78M05	TO-252	2500	Tape and reel
UMW 78M06	78M06	TO-252	2500	Tape and reel
UMW 78M08	78M08	TO-252	2500	Tape and reel
UMW 78M09	78M09	TO-252	2500	Tape and reel
UMW 78M12	78M12	TO-252	2500	Tape and reel
UMW 78M15	78M15	TO-252	2500	Tape and reel
UMW 78M24	78M24	TO-252	2500	Tape and reel



12.Disclaimer

UMW reserves the right to make changes to all products, specifications. Customers should obtain the latest version of product documentation and verify the completeness and currency of the information before placing an order.

When applying our products, please do not exceed the maximum rated values, as this may affect the reliability of the entire system. Under certain conditions, any semiconductor product may experience faults or failures. Buyers are responsible for adhering to safety standards and implementing safety measures during system design, prototyping, and manufacturing when using our products to prevent potential failure risks that could lead to personal injury or property damage.

Unless explicitly stated in writing, UMW products are not intended for use in medical, life-saving, or life-sustaining applications, nor for any other applications where product failure could result in personal injury or death. If customers use or sell the product for such applications without explicit authorization, they assume all associated risks.

When reselling, applying, or exporting, please comply with export control laws and regulations of China, the United States, the United Kingdom, the European Union, and other relevant countries, regions, and international organizations.

This document and any actions by UMW do not grant any intellectual property rights, whether express or implied, by estoppel or otherwise. The product names and marks mentioned herein may be trademarks of their respective owners.