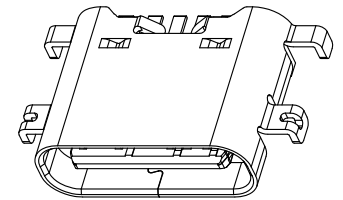


VIEW "E"



REV. (版本号)	DESCRIPTION (变更说明)	DATE (日期)	APPD (核准)
A0	新订图面	2023.04.21	YUXIANG

- NOTES:  
SPECIFICATION:  
1.CURRENT RATING: 3.0A MAX  
2.VOLTAGE: 100 VAC  
3.TEMPERATURE RANGE: -30°C~+85°C  
4.CONTACT RESISTANCE: 40 MILLIONHM MAX  
5.INSULATION RESISTANCE: 100 MEGOHMS MIN  
6.LNSERTION FORCE: 5N~20N  
7.UNMATING FORCE: 8N~20N  
8.DURABILITY: 10000 CYCLES

USB TYPE C PIN ASSIGNMENTS

PIN NUMBER	SIGNAL NAME	PIN NUMBER	SIGNAL NAME
A5	CC1	B12	GND
A9	VBUS	B9	VBUS
A12	GND	B5	CC2

TABLE:

NO	PART	Q'TY	Material
1	SHELL	1	STAINLESS STEEL,NI PLATED
2	CONTACT	6	COPPER STEEL,TIN/Au/NI PLATED
3	HOUSING	1	HIGH TEMPERATURE RESISTANT PLASTIC BLACK UL94 V-0

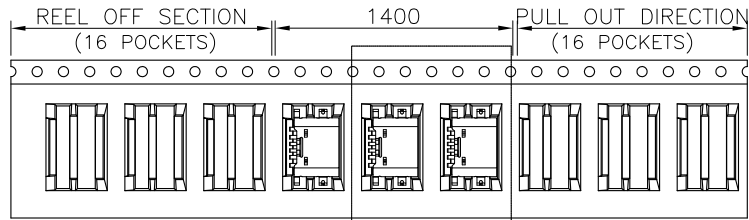

**深圳市宇文发电子科技有限公司**  
 Shen Zhen Yu Wen Fa Electronics Technology Co.,Ltd  
 TEL:0755-27711235 FAX:0755-27712683

品名 (ITEM NO)	TYPE CF 6P单排SMT沉板1.6 CONN
料号 (PART NO)	PTCFW-H22A-091
图号 (DWG NO)	P-TCF-112

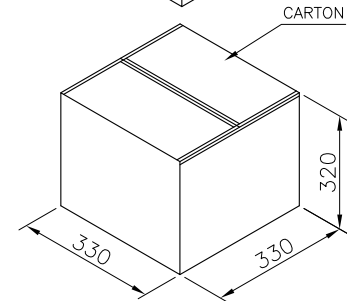
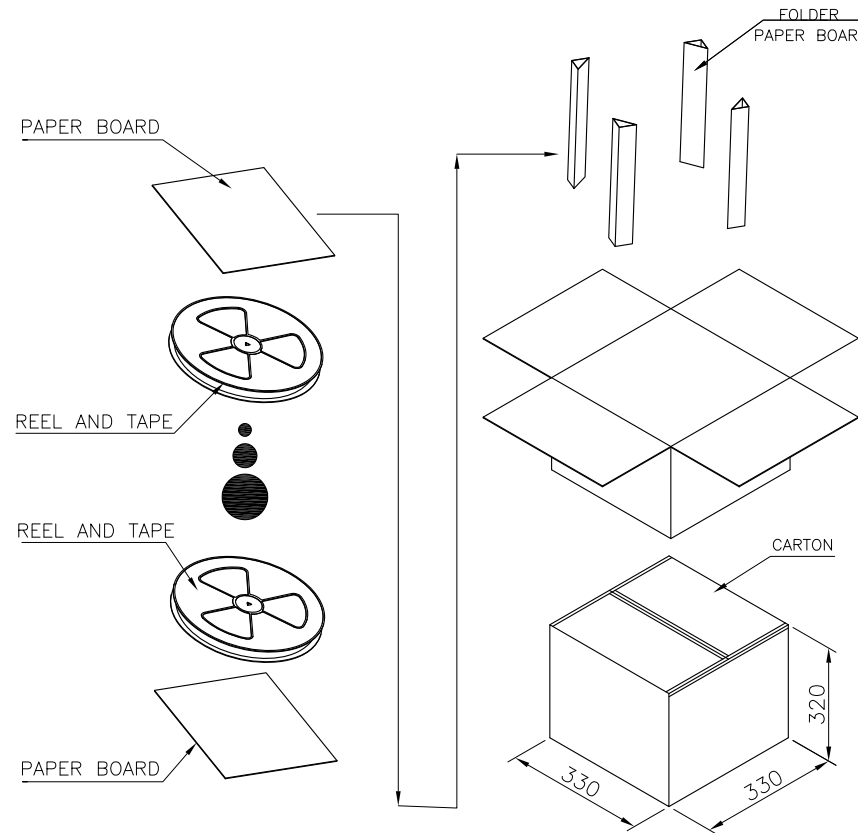
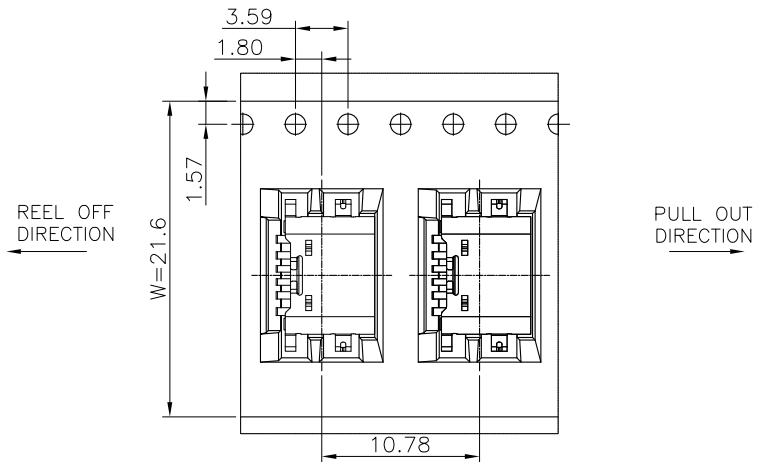
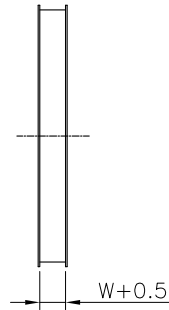
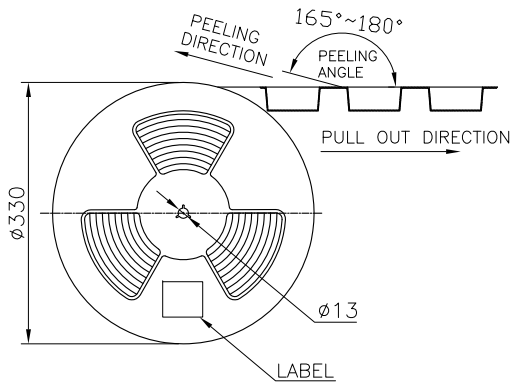
页码 (SHEET)	1/1	单位 (UNIT):	MM
版本 (REV)	A0	比例 (SCALE):	1:1
日期 (DATE)	2023.04.21		
设计 (DESIGN)	YUXIANG	未注公差 TOLERANCE UNSPECIFIED	
审核 (CHECKED)		X.X	±0.30
核准 (APPROVED)		X.XX	±0.20
		X.XXX	±0.10
		X°	±5°
		X.X°	±2°

RoHS Compliant

REV.	ECN NO	DESCRIPTION	REVISER	DATE
A/0				
A/1				



SEE DETAIL X



	REEL	CARTON
CONNECTOR (PCS)	1400	14000

	REEL	CARTON
CONNECTOR (PCS)	1400	14000

图号 (DWG NO)		单位 (UNIT): MM	深圳市宇文发电子科技有限公司 Shen Zhen Yu Wen Fa Electronics Technology Co., Ltd TEL: 0755-27711235 FAX: 0755-27712683	
日期 (DATE)	2022. 03. 24	比例 (SCALE) 1:1		
版次 (REV): A/0	页/次 (PAGE): 1/1		<b>包装规范</b> 品名 (ITEM NO) TYPE C 母座 6P沉板 包装图 料号 (PART NO) A-004R-092	
设计 (DESIGN)	ZHUANG			
审核 (CHECKED)				
核准 (APPROVED)				