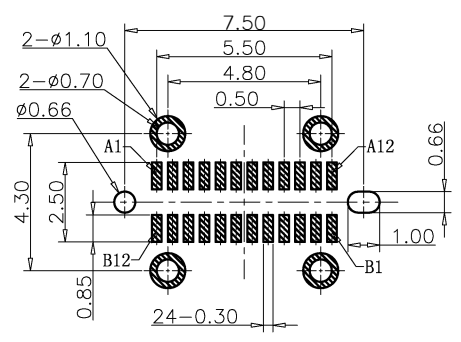


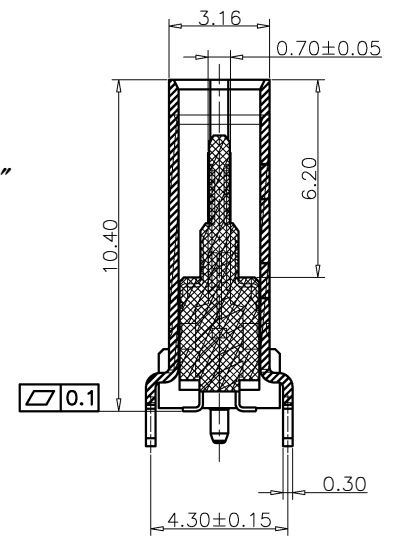
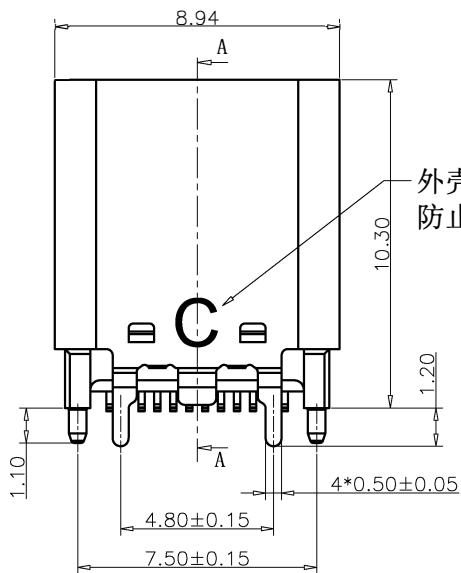
WITH PICK UP COVER  
SCALE 2:1



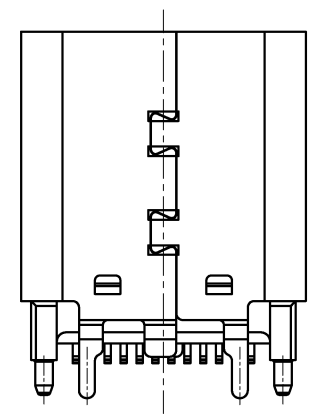
RECOMMEND P.C.B LAYOUT (COMPONENT SIDE)  
TOLERANCE FOR PCB LAYOUT IS ±0.05

REV. (版本号)	DESCRIPTION (变更说明)	DATE (日期)	APPD (核准)
A0	新订图面	2020.08.03	Lee
A1	应客户要求更新图面公差	2023.11.23	ZHUANG

- NOTES:  
SPECIFICATION:  
1. CURRENT RATING: 5.0 A  
2. VOLTAGE RATING: 5.0 V  
3. VBUS & GND PINS AND OTHER PINS: 40mΩ/PIN MAX  
SHIELD: 50mΩ/MAX  
LLCR MAX. CHANGE OF ALL PINS: 10Ωm  
4. INSULATION RESISTANCE: 100MΩ MIN  
5. DIELECTRIC WITHSTAND VOLTAGE, AC 100V FOR 1MINUTE  
6. INSERTION FORCE: 0.5~2.0kgf  
7. UNMATING FORCE: 0.8~2.0kgf  
8. DURABILITY: 10000 CYCLES  
9. OPERATING TEMPERATURE: -25°C~+85°C  
10. THE PEAK TEMPERATURE ON THE BOARD SHALL BE MAINTAINED FOR 10 SECONDS AT 260°C



SECTION A-A  
SCALE 1:1

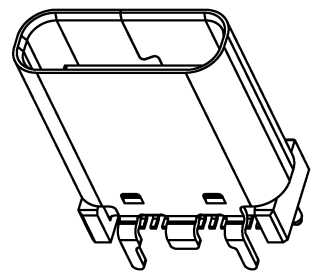
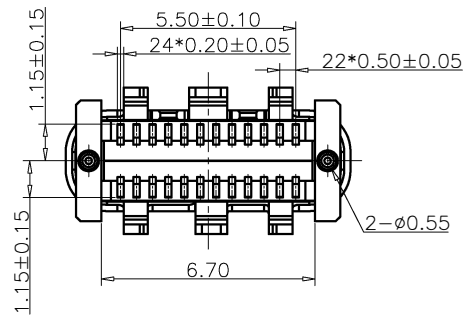


USB TYPE C PIN ASSIGNMENTS

PIN NUMBER	SIGNAL NAME	PIN NUMBER	SIGNAL NAME
A1	GND	B12	GND
A2	TX1+	B11	RX1+
A3	TX1-	B10	RX1-
A4	VBUS	B9	VBUS
A5	CC1	B8	SBU2
A6	DP1	B7	DN2
A7	DN1	B6	DP2
A8	SBU1	B5	CC2
A9	VBUS	B4	VBUS
A10	RX2-	B3	TX2-
A11	RX2+	B2	TX2+
A12	GND	B1	GND

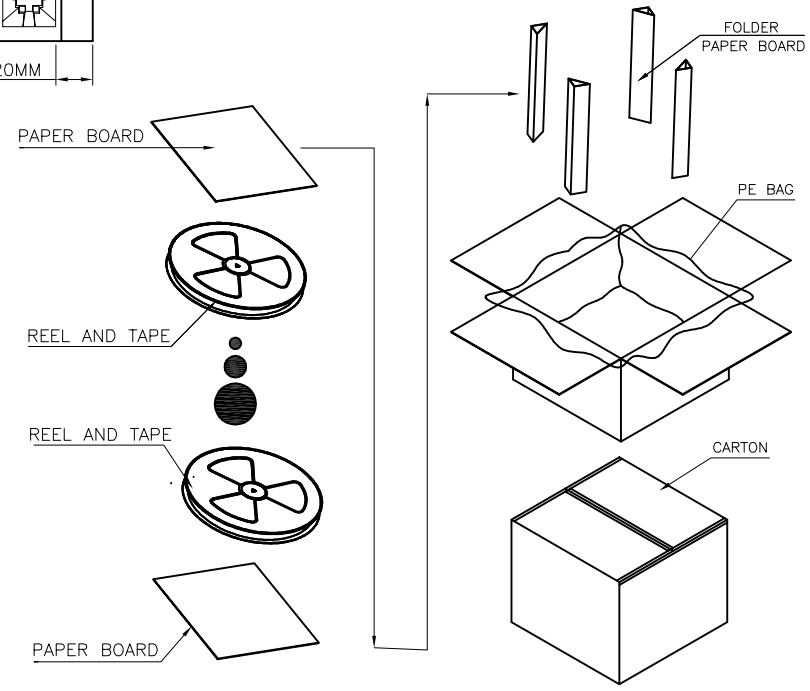
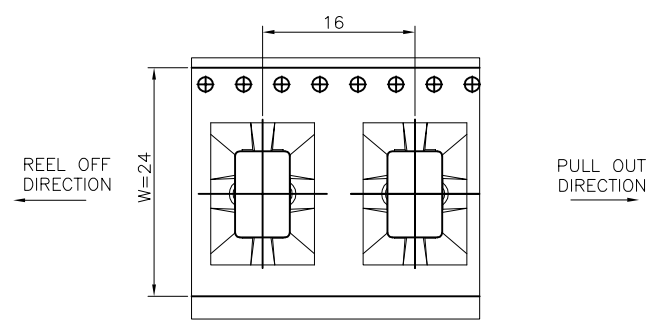
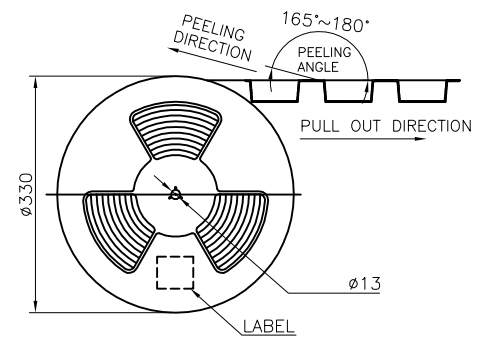
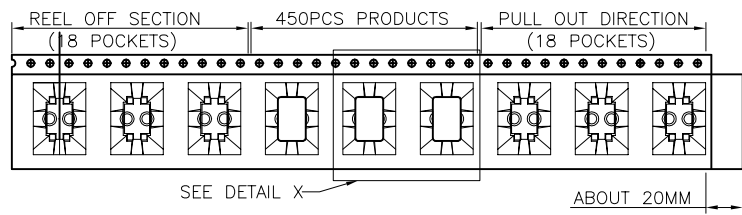
TABLE:

NO	PART	Q'TY	Material
1	SHELL	1	STAINLESS STEEL, NI PLATED
2	CONTACT	24	COPPER ALLOY, TIN/Au/Ni PLATED
3	MID PLATE	1	STAINLESS STEEL, NO PLATING
4	EMI	1	STAINLESS STEEL, NI PLATED
5	HOUSING	1	HIGH TEMPERATURE RESISTANT PLASTIC BLACK UL94 V-0



<p>深圳市宇文发电子科技有限公司 Shen Zhen Yu Wen Fa Electronics Technology Co., Ltd TEL: 0755-27711235 FAX: 0755-27712683</p>	品名 (ITEM NO)	TYPE C 24P 立式母座 10.4	页码 (SHEET)	1/1	单位 (UNIT):	MM
	料号 (PART NO)	PTCFW-R12E-004	版本 (REV)	A1	比例 (SCALE)	1:1
	图号 (DWG NO)	P-TCF-025	日期 (DATE)	2020.08.03		
			设计 (DESIGN)	Lee	未注公差 TOLERANCE UNSPECIFIED	
			审核 (CHECKED)		X.X	±0.30
		核准 (APPROVED)		X.XX	±0.20	
				X.XXX	±0.10	
				X°	±5°	
				X.X°	±2°	

REV.	ECN NO	DESCRIPTION	REVISER	DATE
A/0				
A/1				



备注:

- 包材规格:  
蓝色卷盘:  $\varnothing 380 \times W24\text{mm}$   
卷带: (486PCS空格/卷).  
三角纸板:  $100 \times 140 \times 100\text{mm}$ ,  $H=315\text{mm}$ ,  $K=K$   
自粘上带:  $W=21.3\text{mm}$ ,  $T=0.08\text{mm}$   
PE袋:  $T0.007 \times W65 \times H65\text{CM}$   
外箱:  $400 \times 400 \times 32\text{cm}$
- 将产品依上图所示装入载带中. 前留18PCS空格. 后留18个空格.  
再将自粘上带与载带粘好, 注意不可封孔, 上带需比载带长至少300mm,  
然后用80-150mm美纹胶固定; 450pcs/卷盘, 每卷盘都需贴卷盘物料标签.
- 将10个卷盘放入1个大PE防水袋, 装入外箱时需装入护角纸板.
- 每个外箱装10卷盘, 共计4.5Kpcs/箱.
- 将装好产品外箱用透明胶带封成“工”形, 并在外箱左上角贴HF标签,  
物料标识区分用的“外箱标签”.

	REEL	CARTON
CONNECTOR (PCS)	450	4500

图号 (DWG NO)	单位 (UNIT): MM	深圳市宇文发电子科技有限公司 Shen Zhen Yu Wen Fa Electronics Technology Co., Ltd TEL: 0755-27711235 FAX: 0755-27712683		
日期 (DATE)	2021. 07. 24			
版次 (REV): A/0	页/次(PAGE): 1/1			
设计 (DESIGN)	ZHUANG	包装规范	品名 (ITEM NO)	TYPE C 24P立式母座-包装规范
审核 (CHECKED)			料号 (PART NO)	A-004R-087
核准 (APPROVED)				