

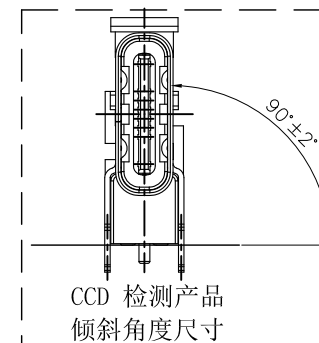
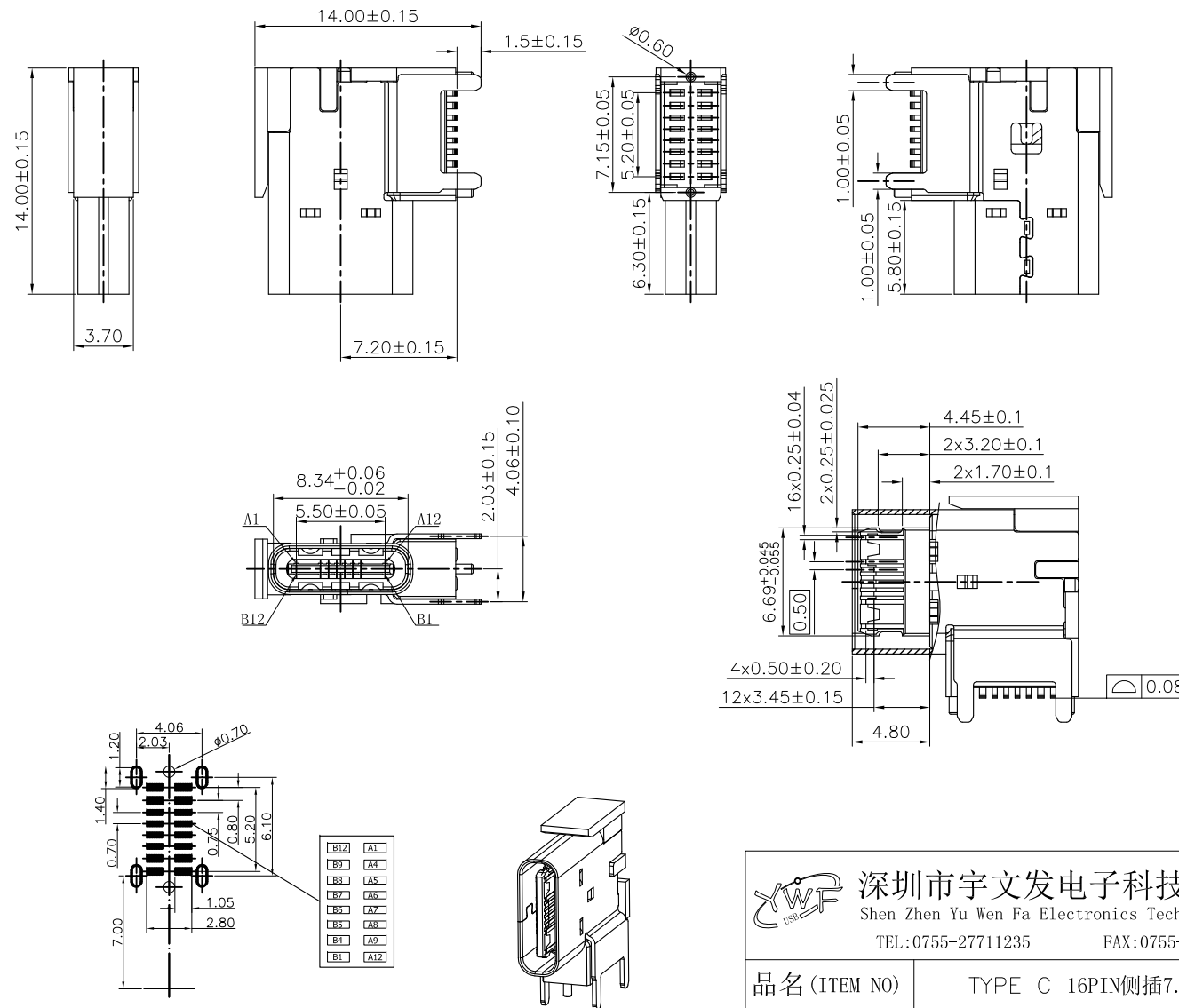
| REV. (版本号) | DESCRIPTION (变更说明) | DATE (日期) | APPD (核准) |
|---------------|-----------------------|--------------|--------------|
| A0 | 新订图面 | 2022.07.07 | Yuxiang |
| A2 | 增加产品SMT角度尺寸 | 2024.07.10 | Allen |

MATERIALS

- HOUSING : LCP (UL 94V-0), BLACK.
- TERMINAL : COPPER ALLOY,
GOLD PLATED ON CONTACT AREA.
GOLD FLASH PLATING ON SOLDER TAIL.
NICKEL UNDERPLATED OVER ALL.
- MID PLATE : STAINLESS STEEL.
- SHELL : STAINLESS STEEL,NICKEL PLATING.

SPECIFICATION

- CURRENT RATING : 5.0A FOR Vbus PIN,
1.25A FOR Vconn PIN,
0.25A FOR OTHER PINS.
- CONTACT RESISTANCE : 40mΩ.
- INSULATION RESISTANCE : 100MΩ MIN.
- DIELECTRIC WITHSTANDING VOLTAGE : 100 VAC MIN.
- OPERATING TEMPERATURE : -40°C TO +85°C.
- MATING FORCE : 5~20N.
- UNMATING FORCE : 8~20N.
- DURABILITY : 10,000 CYCLES.
- RECOMMENDED PROCESS :
THE PEAK TEMPERATURE ON THE BOARD SHALL
MAINTAIN 260°C.
- 标注有“O”序号都为重点管控尺寸；此“△”为变更尺寸；
符号里的数字表示变更的次数/版次；标“■”为检验尺寸。



PIN ASSIGNMENT:

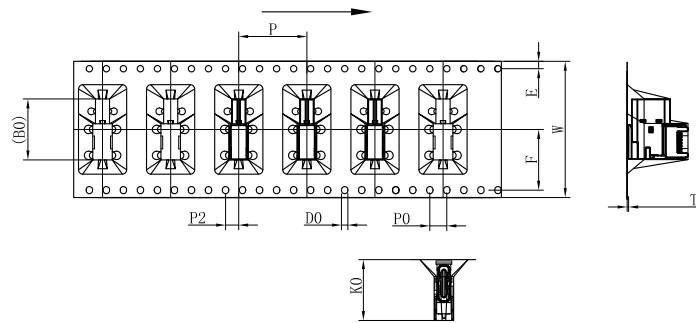
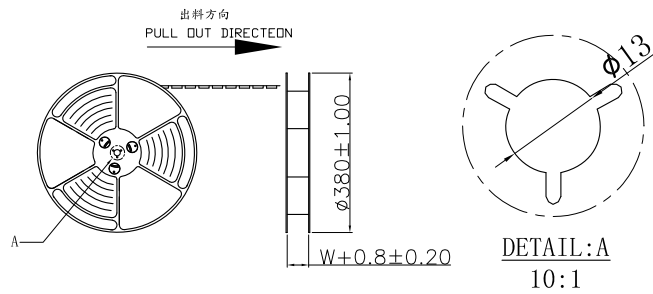
| PIN | Signal Name | PIN | Signal Name |
|-----|-------------|-----|-------------|
| A1 | GND | B12 | GND |
| A2 | SSTXp1 | B11 | SSRXp1 |
| A3 | SSTXn1 | B10 | SSRXn1 |
| A4 | Vbus | B9 | Vbus |
| A5 | CC1 | B8 | SBU2 |
| A6 | Dp1 | B7 | DN2 |
| A7 | Dn1 | B6 | DP2 |
| A8 | SBU1 | B5 | CC2 |
| A9 | Vbus | B4 | Vbus |
| A10 | SSRXn2 | B3 | SSTXn2 |
| A11 | SSRXp2 | B2 | SSTXp2 |
| A12 | GND | B1 | GND |

RECOMMENDED P.C.B LAYOUT
TOLERANCE ± 0.05mm (TOP VIEW)

| | | | | |
|---|----------------------|---------------|------------|--|
| 深圳市宇文发电子科技有限公司 Shen Zhen Yu Wen Fa Electronics Technology Co., Ltd TEL:0755-27711235 FAX:0755-27712683 | | 页码 (SHEET) | 1/1 | 单位(UNIT): MM |
| | | 版本 (REV) | A2 | 比例(SCALE) 1:1 |
| 品名 (ITEM NO) | TYPE C 16PIN侧插7.2高母座 | 日期 (DATE) | 2022.07.07 | 未注公差 TOLERANCE UNSPECIFIED X.X ±0.30 X.XX ±0.20 X.XXX ±0.10 X° ±5° X.X° ±2° |
| 料号 (PART NO) | PTCFW-H22E-005 | 设计 (DESIGN) | Yuxiang | |
| 图号 (DWG NO) | P-TCF-097 | 审核 (CHECKED) | | |
| | | 核准 (APPROVED) | | |

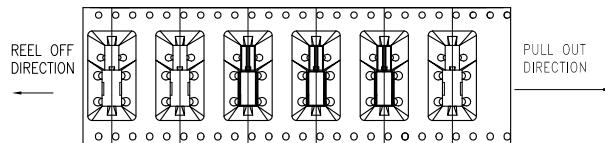
RoHS Compliant

| REV. | ECN NO | DESCRIPTION | REVISER | DATE |
|------|--------|-------------|--------------|------------|
| A/1 | | 更新贴美纹胶数量 | Pengjingjing | 2026.03.23 |
| A/2 | | | | |

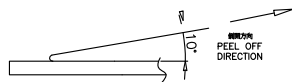


NOTES

1. 带子引导长度
出料方向

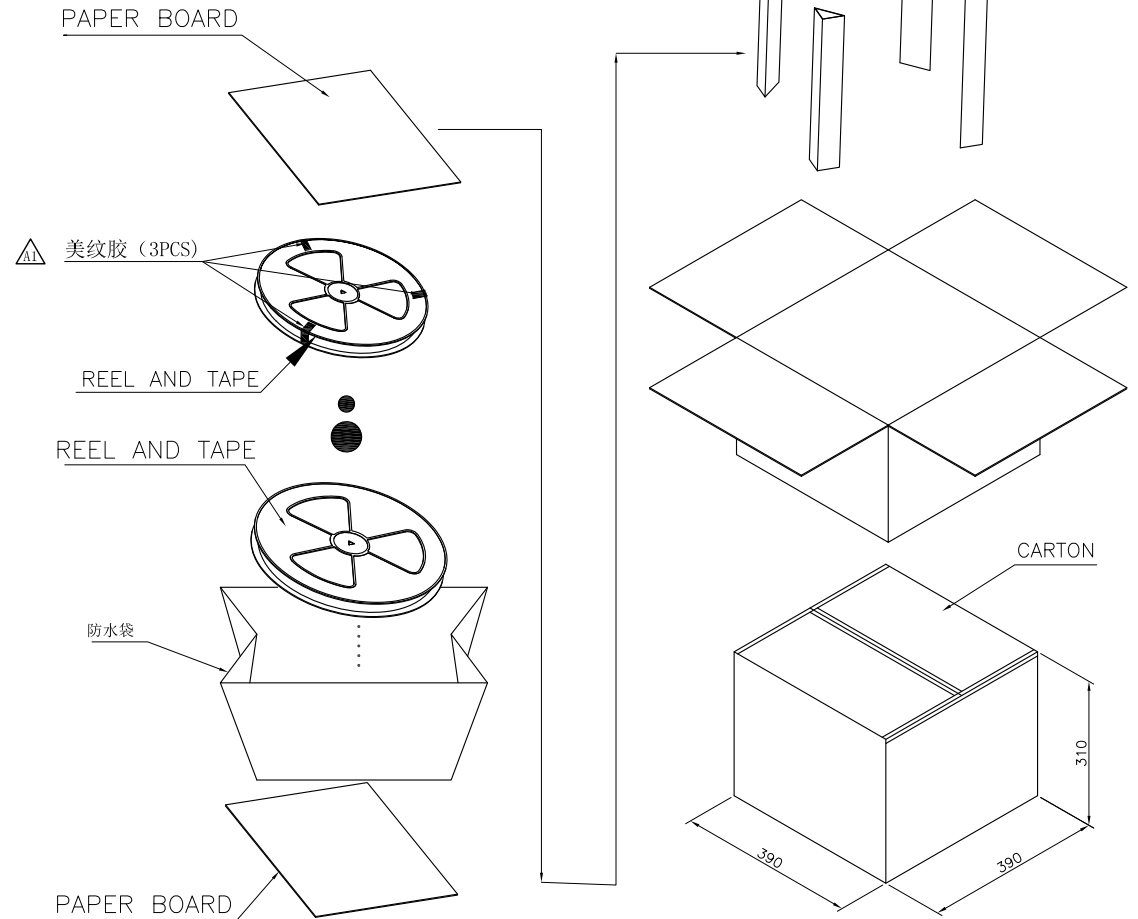


2. 上带剥离力为: 0.1~1.3N(10.2gf~130gf)
出货运输过程中一定注意:
卷带在运输过程中不能散开



| | |
|----|--------------------------------------|
| W | 32±0.3 |
| F | 14.2±0.1 |
| SO | ±0.1 |
| T | 0.50±0.1 |
| E | 1.75±0.1 |
| P | 16.0±0.1 |
| P0 | 4±0.1 |
| P2 | 2±0.15 |
| A0 | 3.32±0.1 |
| BO | 14.3±0.1 |
| K0 | 14.3±0.1 |
| D0 | 1.50 ^{+0.1} _{-0.1} |

| | | |
|----|-------------------------|--------------------|
| 卷带 | 规格: $\phi 380\text{mm}$ | 包装数量: 400PCS |
| 纸箱 | 规格: 390mmX390mmX310mm | 包装数量: 8盘 / 3200PCS |



| | | |
|---------------|-----------------|----------------|
| 图号 (DWG NO) | | 单位 (UNIT): MM |
| 日期 (DATE) | 2022.07.07 | 比例 (SCALE) 1:1 |
| 版次 (REV): A/1 | 页/次 (PAGE): 1/1 | |
| 设计 (DESIGN) | YUXIANG | |
| 审核 (CHECKED) | | |
| 核准 (APPROVED) | | |

包装规范

深圳市宇文发电子科技有限公司
Shen Zhen Yu Wen Fa Electronics Technology Co., Ltd
TEL: 0755-27711235 FAX: 0755-27712683

| | |
|--------------|---------------------------------|
| 品名 (ITEM NO) | TYPE C 16PIN侧插7.2/6.7高母座 包装图 |
| 料号 (PART NO) | A-004R-138 |