

NOTE:

1.MATERIAL SPECIFICATION:

- 1.HOUSING:HIGH TEMPERATURE RESISTANT PLASTIC
- 2.TERMINAL: COPPER ALLOY
- 3.MID PLATE: STAINLESS STEEL
- 4.FRONT SHELL: STAINLESS STEEL
- 5.O-RING: SILICA GEL, BLACK
- 6.GLUE:EPOXY, BLACK

2.PLATING SPECIFICATION:

2-1.TERMINAL:

- Ni 50u" MIN. UNDER PLATED OVER ALL.
- Au 3u" PLATED ON THE CONTACT AREA.
- Au G/F PLATED ON THE SOLDER AREA.

2-2. SHELL:

- Ni 50u" MIN. UNDER PLATED OVER ALL.

2-3.MID PLATE:

- CLEAR ONLY

3.MECHANICAL PERFORMANCE,

- 3-1.INSERTION FORCE: 0.5~2.0kgf.
- 3-2.REMOVAL FORCE: 0.8kgf~2.0kgf.
- 3-3.DURABILITY: 10000 CYCLES.

4.ELECTRICAL PERFORMANCE,

- 4-1. VOLTAGE RATING: 5V.
- CURRENT RATING: 5A.

4-2. LLCR:

- VBUS & GND PINS AND OTHER PINS: 40mA/PIN MAX.
- LLCR MAX. CHANGE OF ALL PINS: 10mA.

4-3.INSULATION RESISTANCE: 100MΩ MIN

4-4.DIELECTRIC WITHSTAND VOLTAGE,AC 100V FOR 1 MINUTE.

5. ENVIRONMENTAL PERFORMANCE:

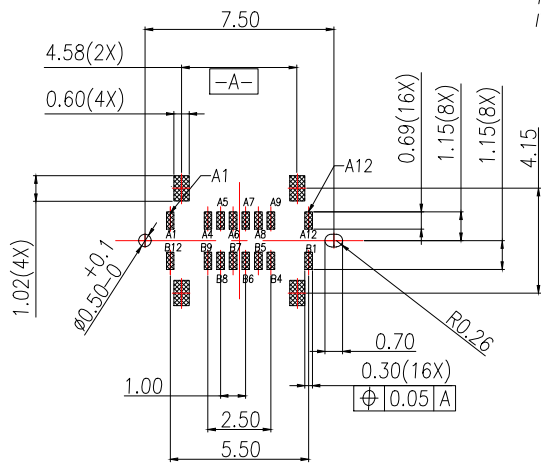
- OPERATING TEMPERATURE: -40°C~+85°C.

6.IR REFLOW:

- THE PEAK TEMPERATURE ON THE BOARD SHALL BE MAINTAINED FOR 10 SECONDS AT 260°C.

7.WATERPROOF:IPX5

制图 DRAWN	变更内容 DESCRIPTION	日期 DATE	GENERAL TOLERANCE		制图 DRAWING	EMMA		料号 PART NO.	BX-TYPEC-LTM16A-X5H6		版本 REV.	A
			.X±0.30	X'±10°	审核 CHECK	EVA		品名 TITLE	USB TYPE C 16pos VERTIACL H=6.0mm IPX5		页次 SHEET	1/1
			.XX±0.20	.X'±8°	核准 APPROVAL	JADE		客户料号 CUTM.NO.				
			.XXX±0.10	.XX'±5°	单位 UNITS	MM	比例 SCALE	1:1	Bossie (博锡)			

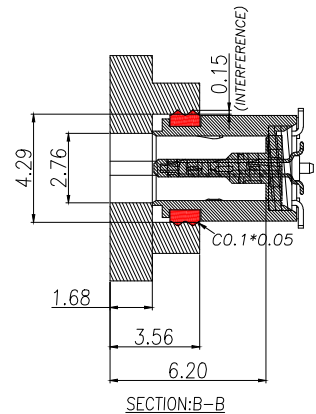
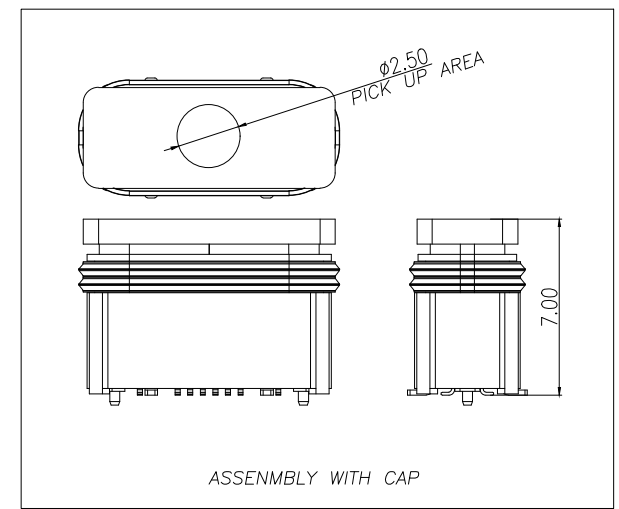
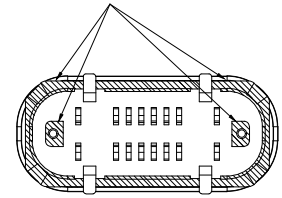


RECOMMENDED PCB LAYOUT(TOP VIEW)
THICKNESS 0.8±0.10MM;DEFAULT TOLERANCE:±0.05

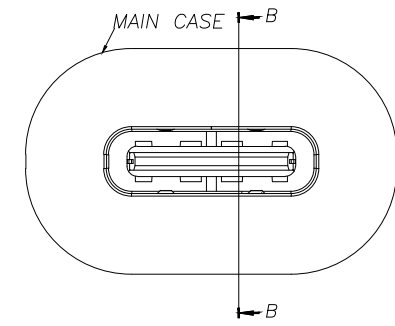
USB TYPE-C PIN ASSIGNMENTS

A1	A2	A3	A4	A5	A6	A7	A8	A9	A10	A11	A12
GND			VBUS	CC1	D+	D-	SBU1	VBUS			GND
GND			VBUS	SBU2	D-	D+	CC2	VBUS			GND
B12	B11	B10	B9	B8	B7	B6	B5	B4	B3	B2	B1

THERE IS SOME GLUE ON THE MAKE AREA(MAY BE)
IT IS NOT AFFECT SOLDERING

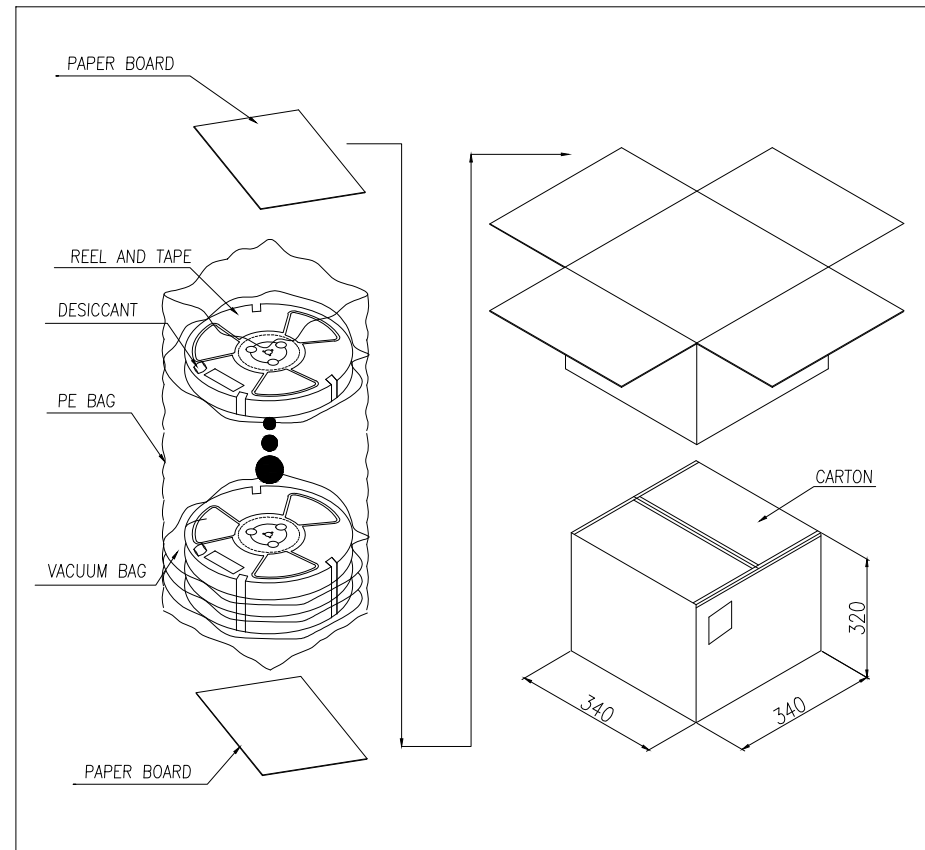
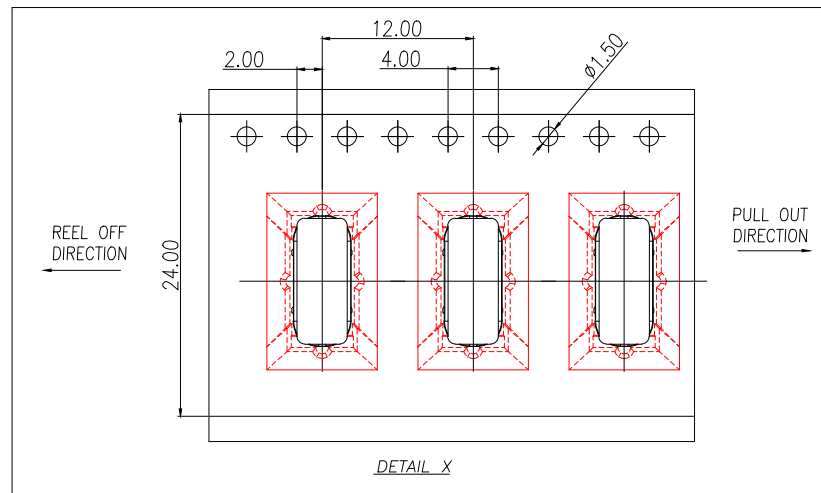
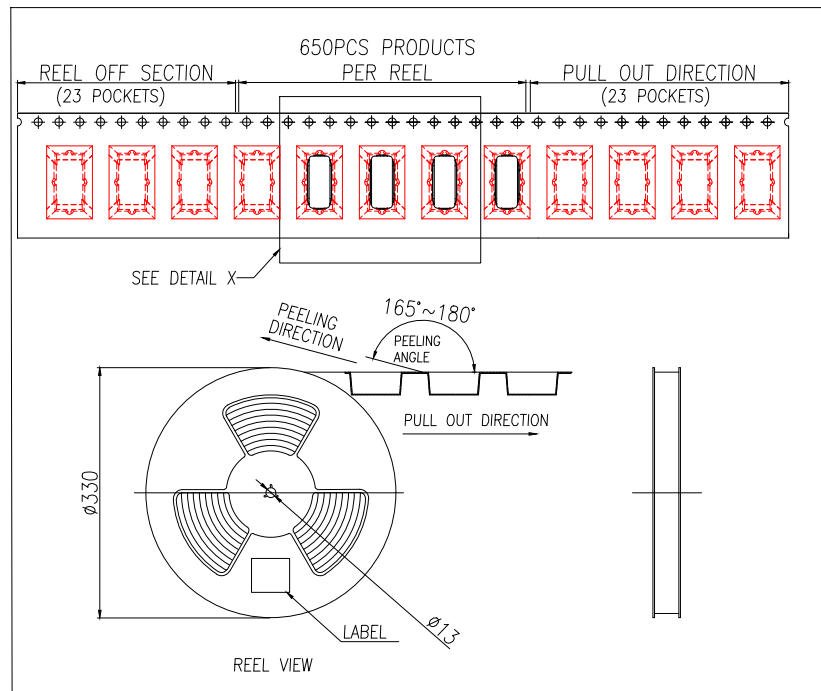


RECOMMENDED OPENING DIMENSIONS
OF CASE MATING AREA WITH SEALING RING



制图 DRAWN	变更内容 DESCRIPTION	日期 DATE	GENERAL TOLERANCE		制图 DRAWING	EMMA	料号 PART NO.	BX-TYPEC-LTM16A-X5H6	版本 REV.	A										
			.X±0.30	X.*±10°							审核 CHECK	EVA	品名 TITLE	USB TYPE C 16pos VERTIACL H=6.0mm IPX5	页次 SHEET	1/1				
			.XX±0.20	.X.*±8°													核准 APPROVAL	JADE	客户料号 CUTM.NO.	
			.XXX±0.10	.XX.*±5°																





	REEL/TRAY	CARTON
CONNECTOR (PCS)	650	6500

制图 DRAWN	变更内容 DESCRIPTION	日期 DATE	GENERAL TOLERANCE		制图 DRAWING	EMMA	料号 PART NO.	BX-TYPEC-LTM16A-X5H6		版本 REV.	A								
			.X±0.30	X'±10°				审核 CHECK	EVA			品名 TITLE	USB TYPE C 16pos VERTIACL H=6.0mm IPX5	页次 SHEET	1/1				
			.XX±0.20	.X'±8°												核准 APPROVAL	JADE	客户料号 CUTM.NO.	
			.XXX±0.10	.XX'±5°															
						Bossie (博锡)													