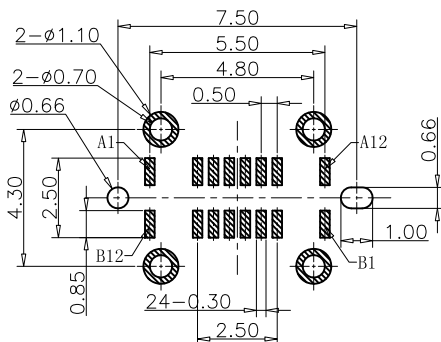


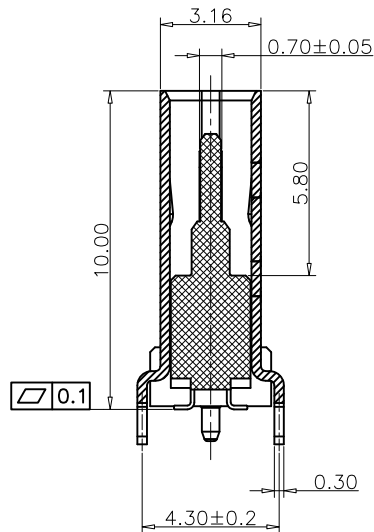
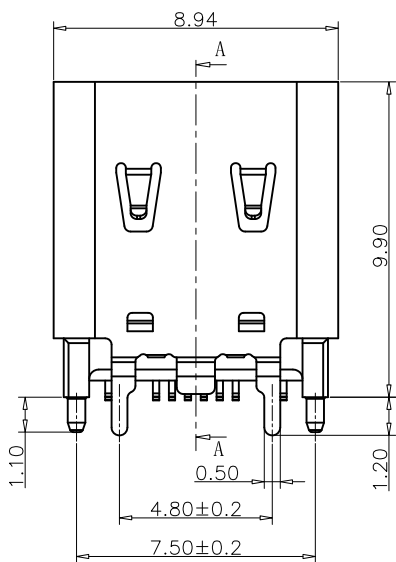
WITH PICK UP COVER
SCALE 1:2



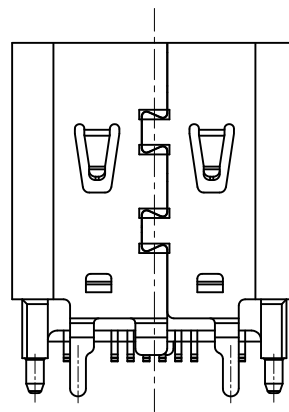
RECOMMEND P.C.B LAYOUT (COMPONENT SIDE)
TOLERANCE FOR PCB LAYOUT IS ±0.05

REV. (版本号)	DESCRIPTION (变更说明)	DATE (日期)	APPD (核准)
A0	新订图面	2022.02.14	Yuxiang

- NOTES:
SPECIFICATION:
- CURRENT RATING: 5.0 A
 - VOLTAGE RATING: 5.0 V
 - VBUS & GND PINS AND OTHER PINS: 40mΩ/PIN MAX
SHIELD: 50mΩ/MAX
LLCR MAX. CHANGE OF ALL PINS: 10Ωm
 - INSULATION RESISTANCE: 100MΩ MIN
 - DIELECTRIC WITHSTAND VOLTAGE, AC 100V FOR 1MINUTE
 - INSERTION FORCE: 0.5~2.0kgf
 - UNMATING FORCE: 0.8~2.0kgf
 - DURABILITY: 10000 CYCLES
 - OPERATING TEMPERATURE: -25°C~+85°C
 - THE PEAK TEMPERATURE ON THE BOARD SHALL BE MAINTAINED FOR 10 SECONDS AT 260°C



SECTION A-A
SCALE 1:1



USB TYPE C PIN ASSIGNMENTS

PIN NUMBER	SIGNAL NAME	PIN NUMBER	SIGNAL NAME
A1	GND	B12	GND
A4	VBUS	B9	VBUS
A5	CC1	B8	SBU2
A6	DP1	B7	DN2
A7	DN1	B6	DP2
A8	SBU1	B5	CC2
A9	VBUS	B4	VBUS
A12	GND	B1	GND

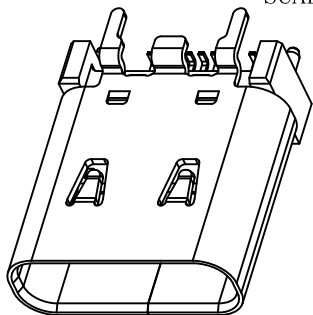
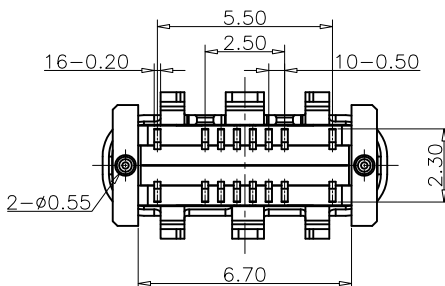
TABLE:

NO	PART	Q'TY	Material
1	SHELL	1	STAINLESS STEEL, NI PLATED
2	CONTACT	16	COPPER ALLOY, TIN/AU/NI PLATED
3	MID PLATE	1	STAINLESS STEEL, NO PLATING
4	HOUSING	1	HIGH TEMPERATURE RESISTANT PLASTIC BLACK UL94 V-0

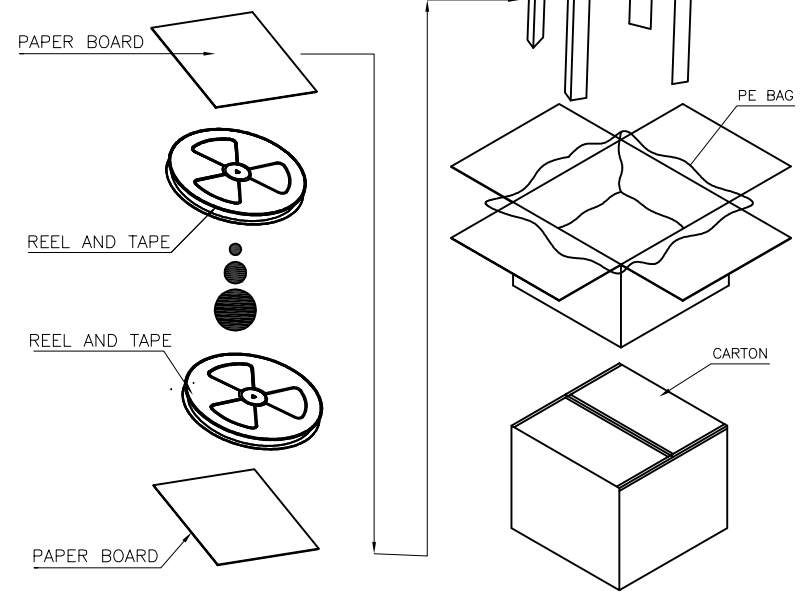
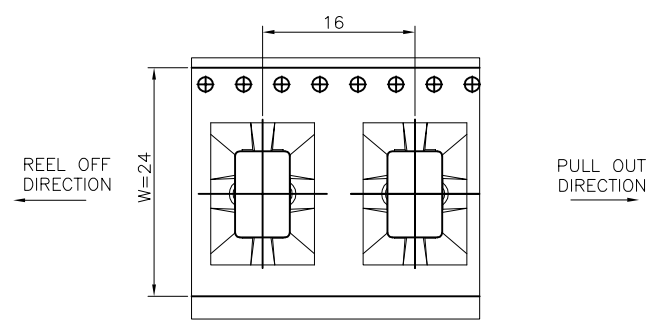
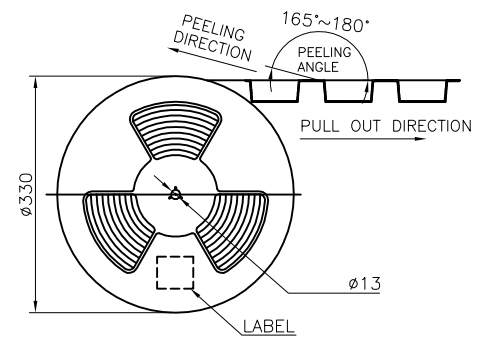
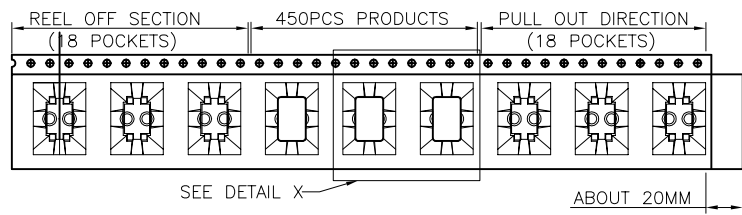
外壳 (3A)

深圳市宇文发电子科技有限公司 Shen Zhen Yu Wen Fa Electronics Technology Co., Ltd TEL: 0755-27711235 FAX: 0755-27712683	品名 (ITEM NO)	TYPE C 16P 立式母座 10.0
	料号 (PART NO)	PTCFW-R12E-008
	图号 (DWG NO)	P-TCF-076
	页码 (SHEET) 1/1 版本 (REV) A0 日期 (DATE) 2022.02.15 设计 (DESIGN) Yuxiang 审核 (CHECKED) 核准 (APPROVED)	

单位 (UNIT):	MM
比例 (SCALE):	1:1
公差 (TOLERANCE):	未注公差 TOLERANCE UNSPECIFIED
X.X	±0.30
X.XX	±0.20
X.XXX	±0.10
X°	±5°
X.X°	±2°



REV.	ECN NO	DESCRIPTION	REVISER	DATE
A/0				
A/1				



备注:

- 包材规格:
蓝色卷盘: ∅380*W24mm
卷带: (486PCS空格/卷).
三角纸板: 100*140*100mm, H=315mm, K=K
自粘上带: W=21.3mm, T=0.08mm
PE袋: T0.007*W65*H65CM
外箱: 400*400*32cm
- 将产品依上图所示装入载带中, 前留18PCS空格. 后留18个空格.
再将自粘上带与载带粘好, 注意不可封孔, 上带需比载带长至少300mm,
然后用80-150mm美纹胶固定; 450pcs/卷盘, 每卷盘都需贴卷盘物料标签.
- 将10个卷盘放入1个大PE防水袋, 装入外箱时需装入护角纸板.
- 每个外箱装10卷盘, 共计4.5Kpcs/箱.
- 将装好产品外箱用透明胶带封成“工”形, 并在外箱左上角贴HF标签,
物料标识区分用的“外箱标签”.

	REEL	CARTON
CONNECTOR (PCS)	450	4500

图号 (DWG NO)	单位 (UNIT): MM	深圳市宇文发电子科技有限公司 Shen Zhen Yu Wen Fa Electronics Technology Co., Ltd TEL: 0755-27711235 FAX: 0755-27712683	
日期 (DATE)	2021. 07. 24		
版次 (REV): A/0	页/次(PAGE): 1/1		
设计 (DESIGN)	ZHUANG	品名 (ITEM NO)	TYPE C 24P立式母座-包装规范
审核 (CHECKED)		料号 (PART NO)	A-004R-087
核准 (APPROVED)			