

NOTE:

1.MATERIAL SPECIFICATION:

- 1.HOUSING:HIGH TEMPERATURE RESISTANT PLASTIC,UL94 V-0 (PA9T)
- 2.TERMINAL: COPPER ALLOY (C18150)
- 3.MID PLATE: STAINLESS STEEL (SUS301)
- 4.FRONT SHELL: STAINLESS STEEL (SUS304)
- 5.EMI PLATE: STAINLESS STEEL (SUS304)

2.PLATING SPECIFICATION:

2-1.TERMINAL:

- Ni 50u" MIN. UNDER PLATED OVER ALL.
- Au PLATED ON THE FUNCTIONAL AREA OF CONTACT.
- (GOLD PLATING THICKNESS Au 3u")
- SN PLATING THE SOLDER AREA.

2-2.FRONT SHELL:

- Ni 30u" MIN. UNDER PLATED OVER ALL.

2-3.MID PLATE&EMI PLATE:

- CLEAR ONLY

3.MECHANICAL PERFORMANCE,

- 3-1.INSERTION FORCE: 0.5~2.0kgf.
- 3-2.REMOVAL FORCE: 0.8kgf~2.0kgf.
- 3-3.DURABILITY: 10000 CYCLES.

4.ELECTRICAL PERFORMANCE,

- 4-1. VOLTAGE RATING: 5V.
- CURRENT RATING: 5A.
- 4-2. LLCR:
 - VBUS & GND PINS AND OTHER PINS: 40mA/PIN MAX.
 - LLCR MAX. CHANGE OF ALL PINS: 10mA.
- 4-3.INSULATION RESISTANCE: 100MΩ MIN
- 4-4.DIELECTRIC WITHSTAND VOLTAGE,AC 100V FOR 1 MINUTE.

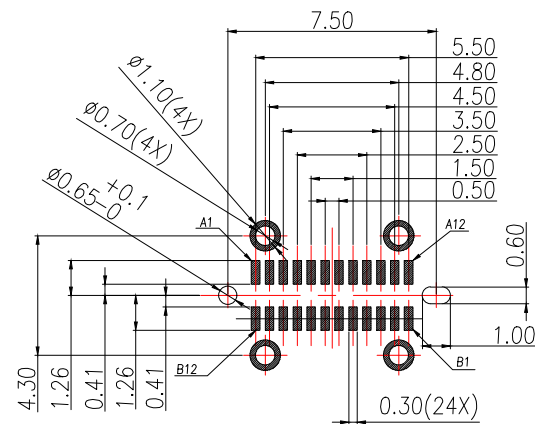
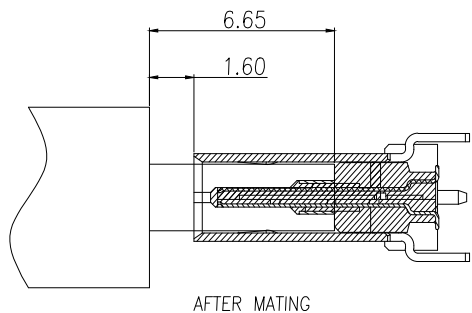
5. ENVIRONMENTAL PERFORMANCE:

- OPERATING TEMPERATURE: -40°C~+85°C.

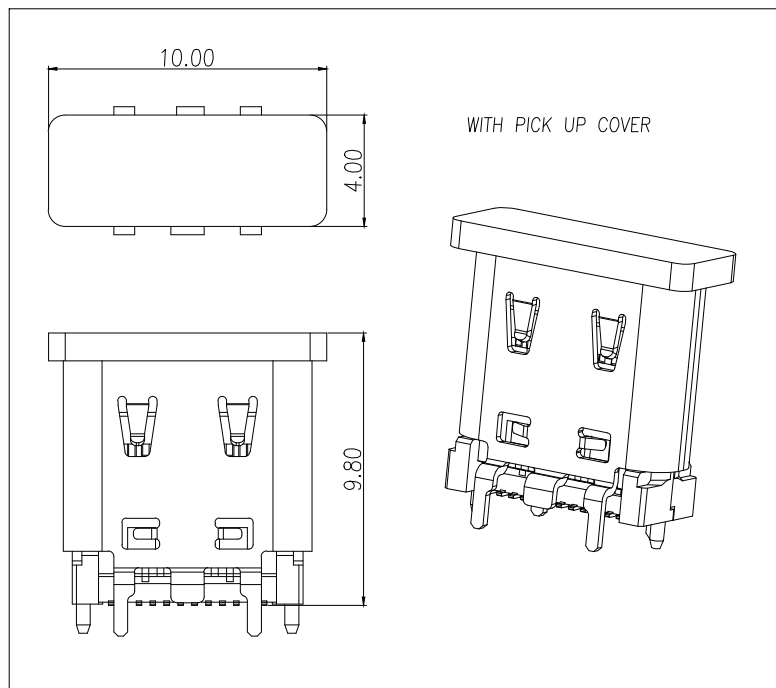
6.IR REFLOW:

- THE PEAK TEMPERATURE ON THE BOARD SHALL BE MAINTAINED FOR 10 SECONDS AT 260°C.

制图 DRAWN	变更内容 DESCRIPTION	日期 DATE	GENERAL TOLERANCE		制图 DRAWING	EMMA		料号 PART NO.	BX-TYPEC-LTM24-H88	版本 REV.	A
			.X±0.30	X.*±10°	审核 CHECK	EVA		品名 TITLE	USB CF VERTICAL (L=8.8)	页次 SHEET	1/1
			.XX±0.20	.X.*±8°	核准 APPROVAL	JADE		客户料号 CUTM.NO.			
			.XXX±0.10	.XX.*±5°	单位 UNITS	MM	比例 SCALE	1:1			



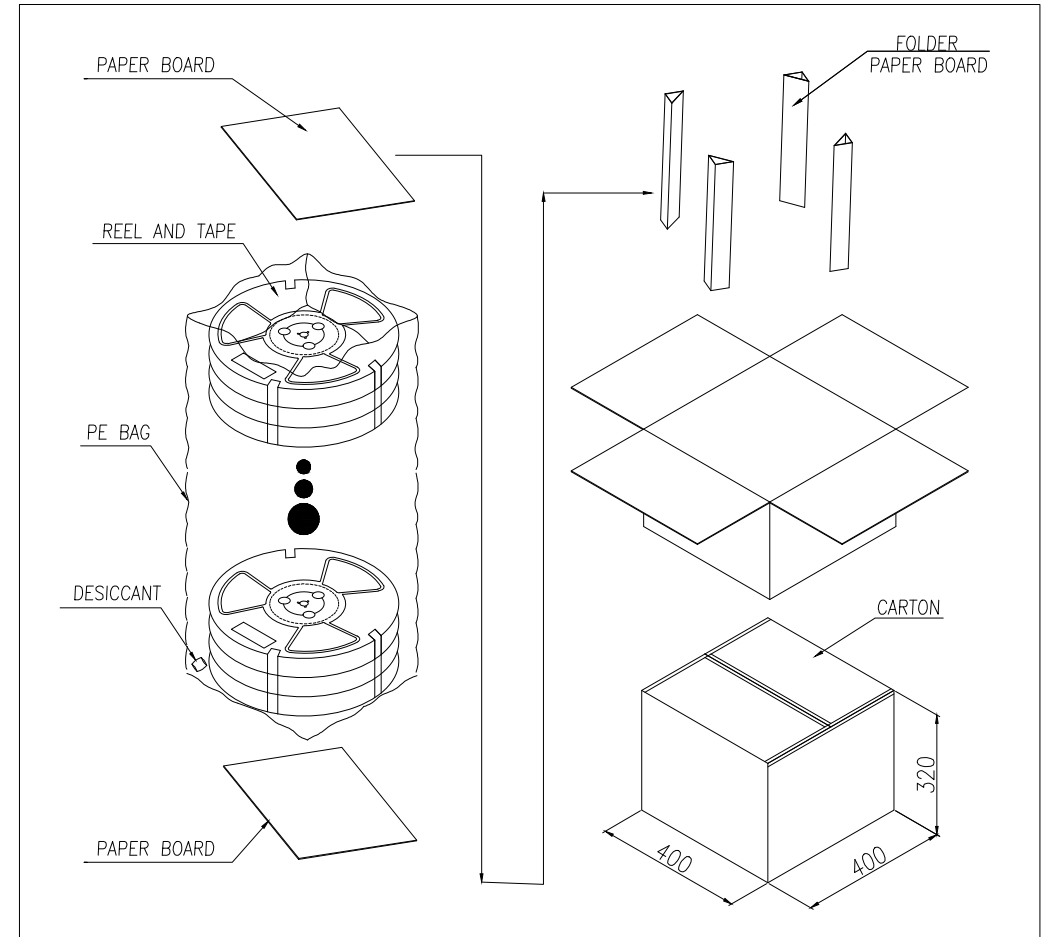
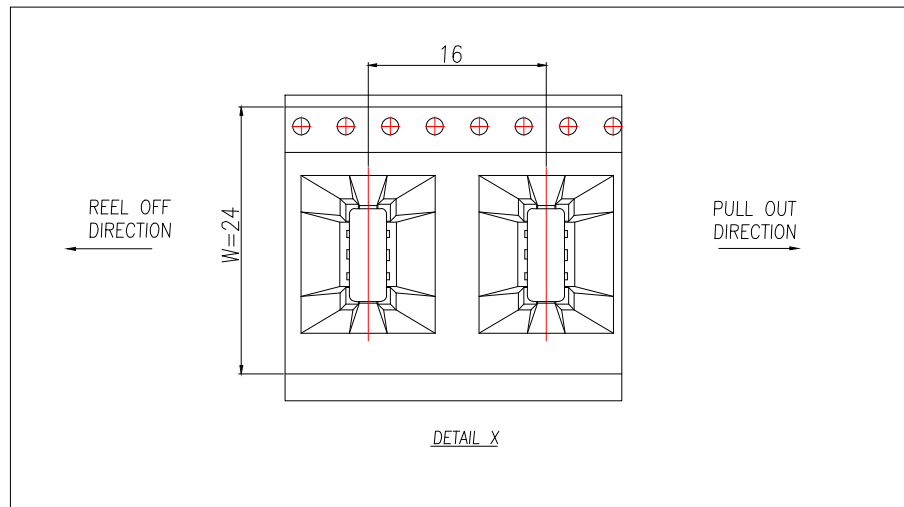
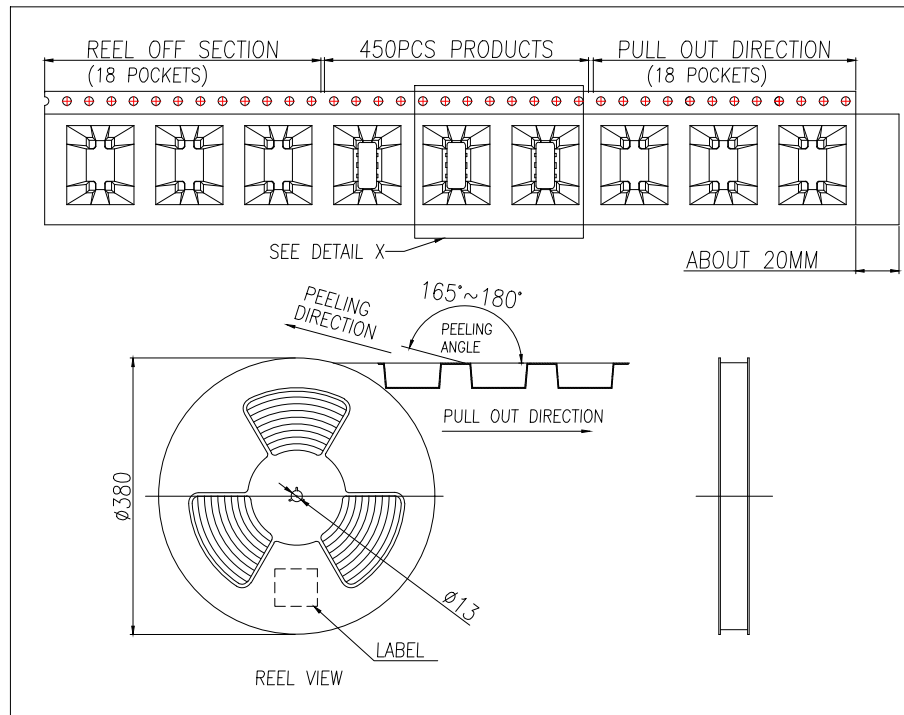
RECOMMENDED PCB LAYOUT(TOP VIEW)
THICKNESS 1.0±0.10MM;DEFAULT TOLERANCE:±0.05



USB TYPE-C PIN ASSIGNMENTS

PIN NUMBER	SIGNAL NAME	PIN NUMBER	SIGNAL NAME
A1	GND	B12	GND
A2	TXp1	B11	RXp1
A3	TXn1	B10	RXn1
A4	V _{bus}	B9	V _{bus}
A5	CC1	B8	SBU2
A6	Dp1	B7	Dn2
A7	Dn1	B6	Dp2
A8	SBU1	B5	CC2
A9	V _{bus}	B4	V _{bus}
A10	RXn2	B3	TXn2
A11	RXp2	B2	TXp2
A12	GND	B1	GND

制图 DRAWN	变更内容 DESCRIPTION	日期 DATE	GENERAL TOLERANCE		制图 DRAWING	EMMA	料号 PART NO.	BX-TYPEC-LTM24-H88	版本 REV.	A								
			.X±0.30	X'±10°				审核 CHECK			EVA	品名 TITLE	USB CF VERTICAL (L=8.8)	页次 SHEET	1/1			
			.XX±0.20	.X'±8°									核准 APPROVAL			JADE	客户料号 CUTM.NO.	
			.XXX±0.10	.XX'±5°														
							Bossie (博锡)											



	REEL/TRAY	CARTON
CONNECTOR (PCS)	450	4500

制图 DRAWN	变更内容 DESCRIPTION	日期 DATE	GENERAL TOLERANCE		制图 DRAWING	EMMA	料号 PART NO.	BX-TYPEC-LTM24-H88	版本 REV.	A										
			.X \pm 0.30	X. \pm 10 $^{\circ}$							审核 CHECK	EVA	品名 TITLE	USB CF VERTICAL (L=8.8)	页次 SHEET	1/1				
			.XX \pm 0.20	.X \pm 8 $^{\circ}$													核准 APPROVAL	JADE	客户料号 CUTM.NO.	
			.XXX \pm 0.10	.XX \pm 5 $^{\circ}$																
		单位 UNITS	MM	比例 SCALE	1:1															