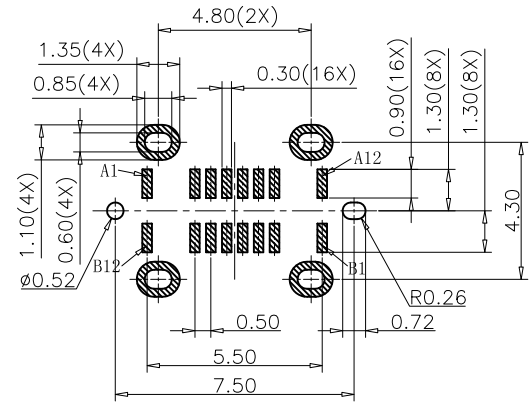


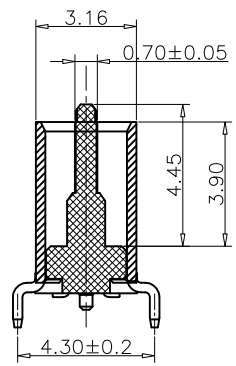
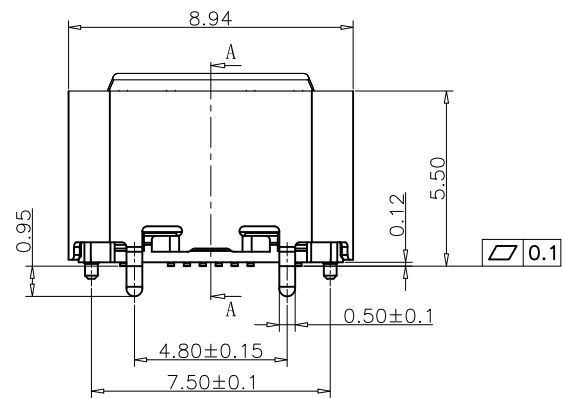
WITH PICK UP COVER
SCALE 2:1



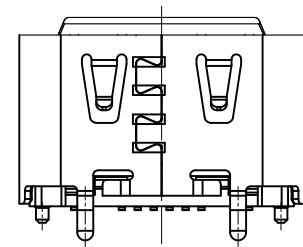
RECOMMEND P.C.B LAYOUT(COMPONENT SIDE)
TOLERANCE FOR PCB LAYOUT IS ±0.05

REV. (版本号)	DESCRIPTION (变更说明)	DATE (日期)	APPD (核准)
A0	新订图面	2021.09.29	ZHUANG

NOTES:
SPECIFICATION:
1.CURRENT RATING: 5.0 A
2.VOLTAGE RATING: 5.0 V
3.VBUS & GND PINS AND OTHER PINS: 40mΩ/PIN MAX
SHIELD: 50mΩ/MAX
LLCR MAX. CHANGE OF ALL PINS: 10Ωm
4.INSULATION RESISTANCE: 100MΩ MIN
5.DIELECTRIC WITHSTAND VOLTAGE,AC 100V FOR 1MINUTE
6.LNSERTION FORCE: 0.5~2.0kgf
7.UNMATING FORCE: 0.8~2.0kgf
8.DURABILITY: 10000 CYCLES
9.OPERATING TEMPERATURE: -25°C~+85°C
10.THE PEAK TEMPERATURE ON THE BOARO SHALL BE MAINTAINED FOR 10 SECONDS AT 260°C



SECTION A-A
SCALE 1:1

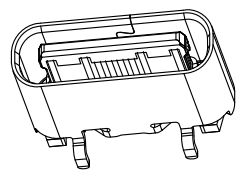
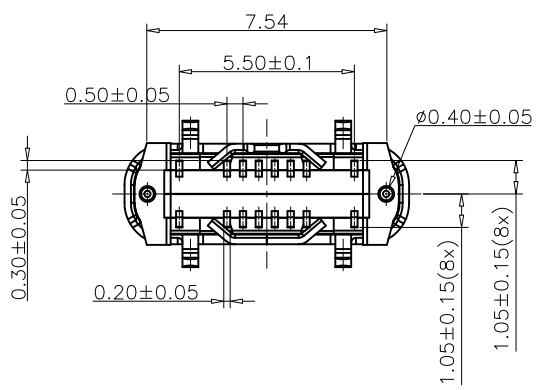


USB TYPE C PIN ASSIGNMENTS

PIN NUMBER	SIGNAL NAME	PIN NUMBER	SIGNAL NAME
A1	GND	B12	GND
A4	VBUS	B9	VBUS
A5	CC1	B8	SUB2
A6	Dp1	B7	Dn2
A7	Dn1	B6	Dp2
A8	SBU1	B5	CC2
A9	VBUS	B4	VBUS
A12	GND	B1	GND

TABLE:

NO	PART	Q'TY	Material
1	SHELL	1	STAINLESS STEEL,Ni PLATED 30u"Min
2	CONTACT	16	COPPER STEEL,Ni 50u"Min;Au u"
3	MID PLATE	1	STAINLESS STEEL,NO PLATING
4	MD HOUSING	1	HIGH TEMPERATURE RESISTANT PLASTIC BLACK UL94 V-0



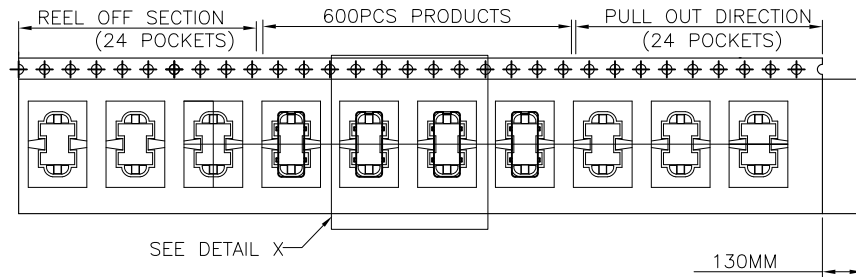
深圳市宇文发电子科技有限公司 Shen Zhen Yu Wen Fa Electronics Technology Co.,Ltd TEL:0755-27711235 FAX:0755-27712683	页码 (SHEET)	1/1	单位(UNIT): MM
	版本 (REV)	A0	比例(SCALE) 1:1
品名 (ITEM NO)	TYPE C 16P立式母座, 舌片外漏 (外壳5.5高)	日期 (DATE)	2021.09.29
料号 (PART NO)	PTCFW-R12E-005	设计 (DESIGN)	ZHUANG
图号 (DWG NO)	P-TCF-053	审核 (CHECKED)	
		核准 (APPROVED)	

TOLERANCE UNSPECIFIED

X.X	±0.30
X.XX	±0.20
X.XXX	±0.10
X°	±5°
X.X°	±2°

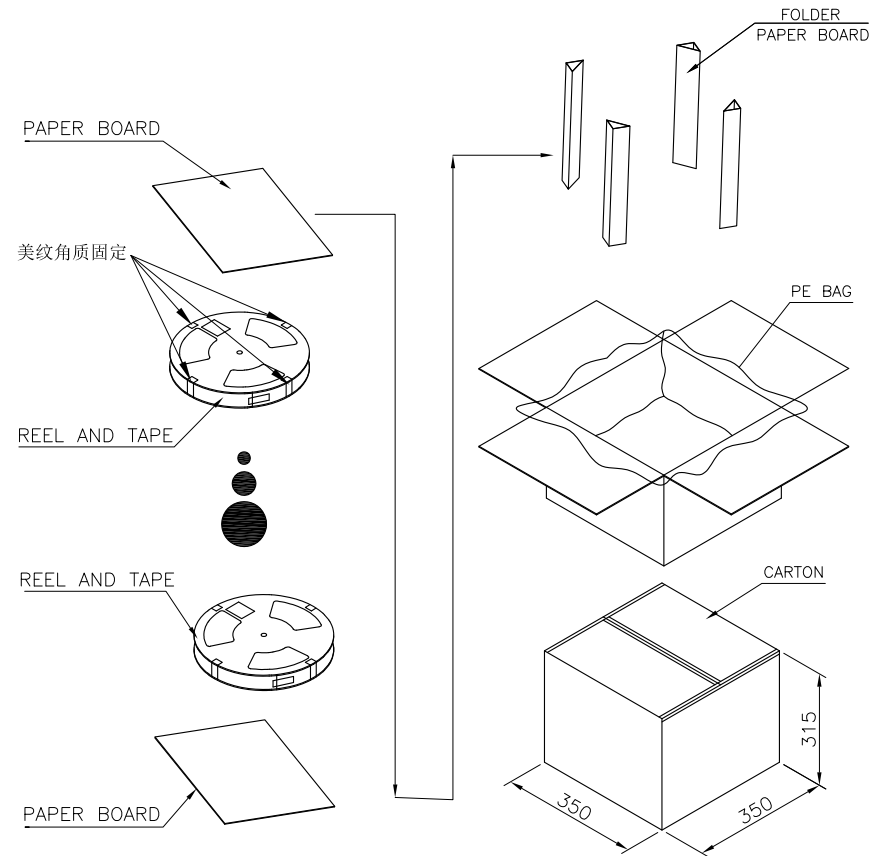
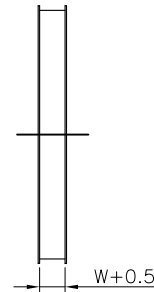
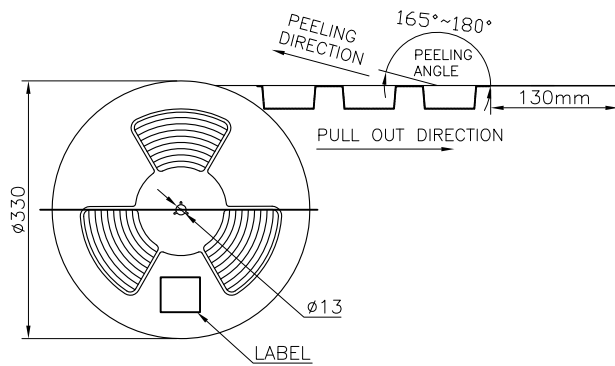
RoHS Compliant

REV.	ECN NO	DESCRIPTION	REVISER	DATE
A/0				
A/1				

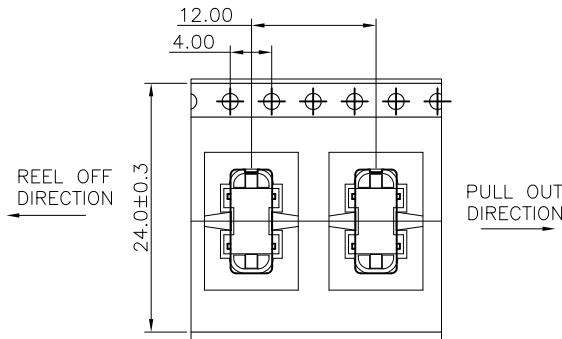


SEE DETAIL X

130MM



- 包材规格:
蓝色卷盘: $\phi 330 * W24mm$
卷带: (648PCS空格/卷).
三角纸板/平卡: $290 * 290 * 5mm, 330 * 330 * 5mm, K=K$
自粘上带: $W=20.7mm, T=0.08mm$
PE袋: $T0.07 * W65 * H165CM$
外箱: $35 * 35 * 31.5cm$
- 将产品依上图所示装入载带中, 前留24PCS空格. 后留24个空格, 再将自粘上带与载带粘好, 注意不可封孔, 上带需比载带长至少130mm, 然后用80-150mm美纹胶固定; 600pcs/卷盘, 每卷盘都需贴卷盘物料标签.
- 将10个卷盘放入1个大PE防水袋, 装入外箱时需装入护角纸板.
- 每个外箱装10卷盘, 共计6Kpcs/箱.
- 将装好产品外箱用透明胶带封成“工”形, 并在外箱左上角贴HF标签, 物料标识区分用的“外箱标签”.



	REEL	CARTON
CONNECTOR (PCS)	600	6000

图号 (DWG NO)	单位 (UNIT): MM
日期 (DATE)	2021. 11. 15
版次 (REV): A/0	页/次:(PAGE): 1/1
设计 (DESIGN)	ZHUANG
审核 (CHECKED)	
核准 (APPROVED)	

包装规范

深圳市宇文发电子科技有限公司 Shen Zhen Yu Wen Fa Electronics Technology Co.,Ltd TEL:0755-27711235 FAX:0755-27712683	
品名 (ITEM NO)	USB TYPE C 立贴 L=6.5 包装图
料号 (PART NO)	A-004R-086