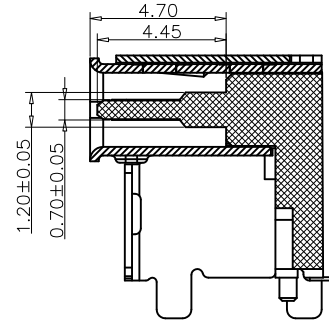
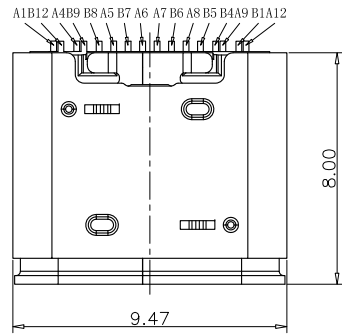
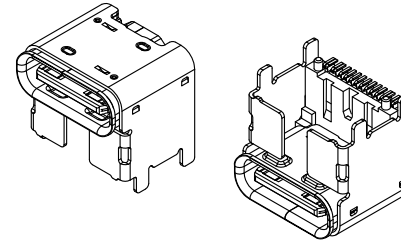


| | | | |
|---------------|-----------------------|--------------|--------------|
| REV. (版本号) | DESCRIPTION (变更说明) | DATE (日期) | APPD (核准) |
| A0 | 新订图面 | 2021.03.20 | ZHUANG |

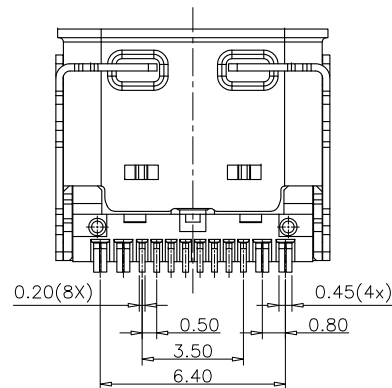
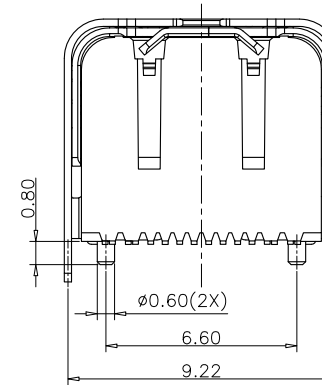
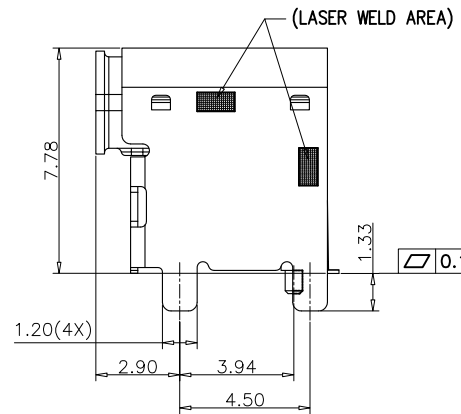
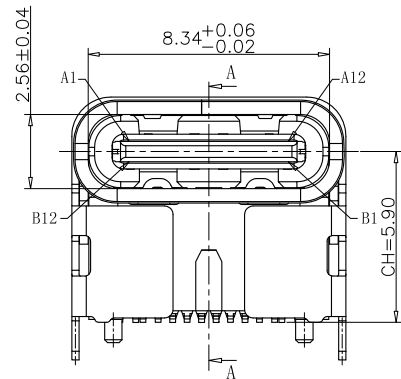


SECTION A-A
SCALE 1:1



NOTES:

- 1.Material:See Table
- 2.Finished:See Table
- 3.Mechanical:
Insertion force: 0.5~2.0kgf
Removal force: 0.8~2.0kgf
Durability: 10000 times
- 4.Electrical:
Current rating: 5.0A
Voltage rating: 5.0V
Insulation resistance:100MΩ Min
Dielectric withstand voltage.AC 100V for 1Minute.
- 5.Environmental:
Operating temperature:-30°C~+80°C
- 6.IR REFLOW:
The peak temperature on the board shall be maintained for 10 seconds at 260°C



USB TYPE C PIN ASSIGNMENTS

| PIN NUMBER | SIGNAL NAME | PIN NUMBER | SIGNAL NAME |
|------------|-------------|------------|-------------|
| A1 | GND | B12 | GND |
| A4 | VBUS | B9 | VBUS |
| A5 | CC1 | B8 | SUB2 |
| A6 | Dp1 | B7 | Dn2 |
| A7 | Dn1 | B6 | Dp2 |
| A8 | SBU1 | B5 | CC2 |
| A9 | VBUS | B4 | VBUS |
| A12 | GND | B1 | GND |

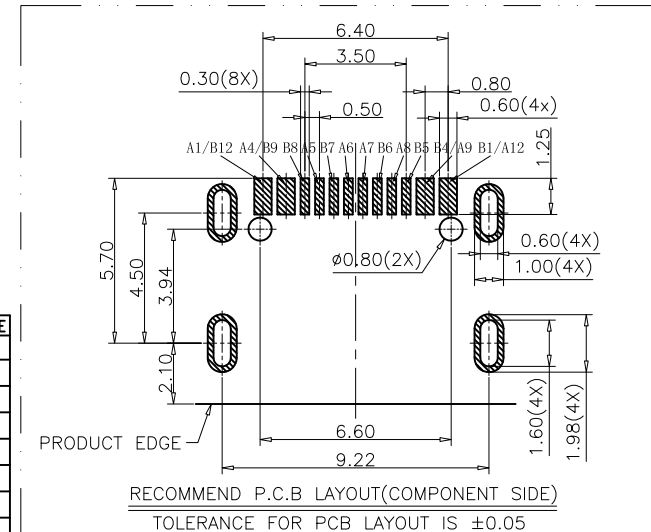


TABLE:

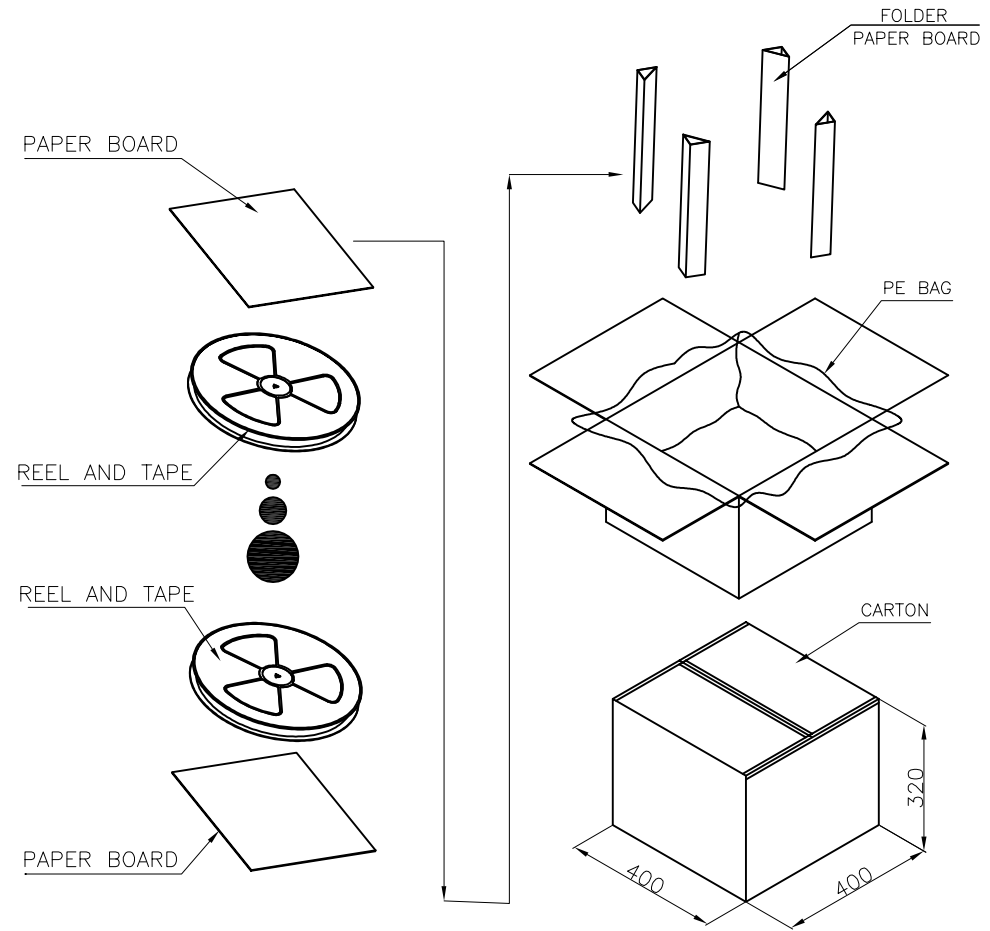
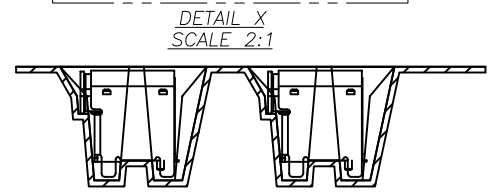
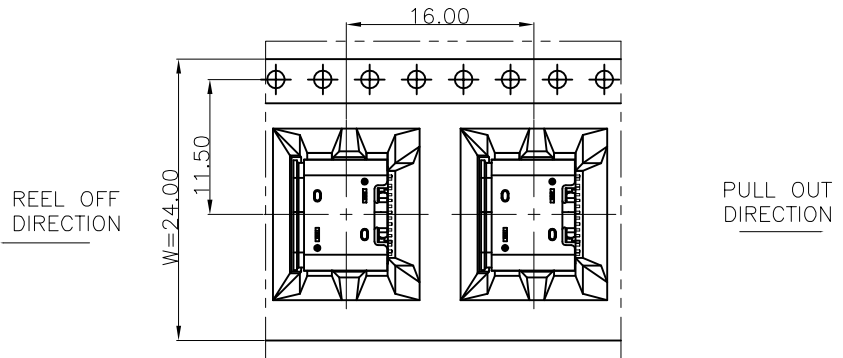
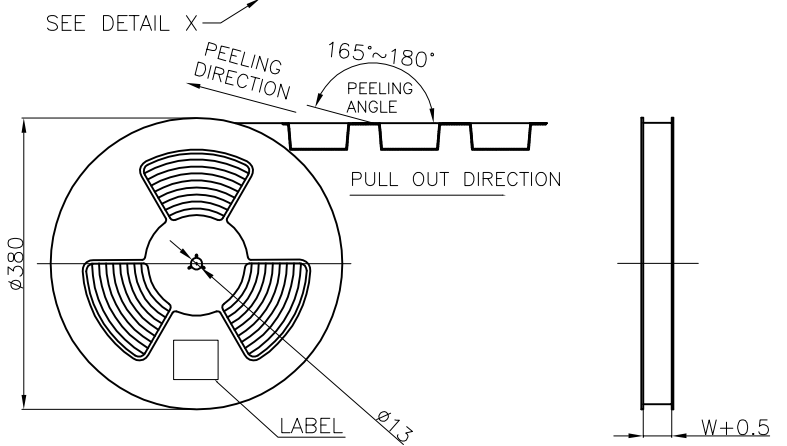
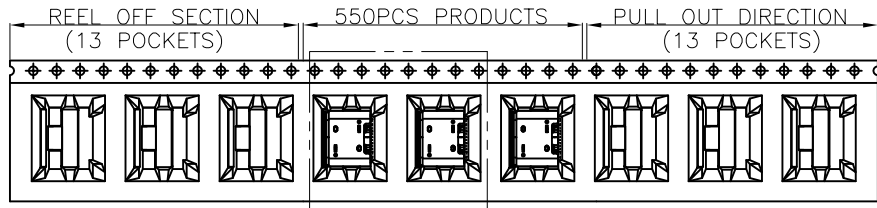
| NO | PART | Q'TY | Material |
|----|------------|------|---|
| 1 | SHELL | 1 | STAINLESS STEEL,Ni PLATED 30u"Min |
| 2 | CONTACT | 16 | COPPER STEEL,Ni 50u"Min;Au u" |
| 3 | MID PLATE | 1 | STAINLESS STEEL,NO PLATING |
| 4 | MD HOUSING | 1 | HIGH TEMPERATURE RESISTANT PLASTIC BLACK UL94 V-0 |

| | |
|--|--|
| | 深圳市宇文发电子科技有限公司 Shen Zhen Yu Wen Fa Electronics Technology Co.,Ltd TEL:0755-27711235 FAX:0755-27712683 |
| | 品名 (ITEM NO) TYPE C 16P母座 单排SMT垫高款CH=5.9 料号 (PART NO) PTCFW-H22A-054 图号 (DWG NO) P-TCF-056 |

| | | |
|---------------|------------|-------------------------------|
| 页码 (SHEET) | 1/1 | 单位(UNIT): MM |
| 版本 (REV) | A0 | 比例(SCALE) 1:1 |
| 日期 (DATE) | 2021.03.20 | |
| 设计 (DESIGN) | ZHUANG | 未注公差 TOLERANCE UNSPECIFIED |
| 审核 (CHECKED) | | X.X ±0.30 |
| 核准 (APPROVED) | | X.XX ±0.20 |
| | | X.XXX ±0.10 |
| | | X° ±5° |
| | | X.X° ±2° |

RoHS Compliant

| REV. | ECN NO | DESCRIPTION | REVISER | DATE |
|------|--------|-------------|---------|------|
| A/0 | | | | |
| A/1 | | | | |



| | | |
|-----------------|------|--------|
| | REEL | CARTON |
| CONNECTOR (PCS) | 550 | 5500 |

| | | |
|---------------|----------------|---|
| 图号 (DWG NO) | 单位 (UNIT): MM | 深圳市宇文发电子科技有限公司 Shen Zhen Yu Wen Fa Electronics Technology Co., Ltd TEL: 0755-27711235 FAX: 0755-27712683 |
| 日期 (DATE) | 比例 (SCALE) 1:1 | |
| 版次 (REV): A/0 | 页/次(PAGE): 1/1 | |
| 设计 (DESIGN) | ZHUANG | 包装规范 品名 (ITEM NO) TYPE C 母座 16P 垫高款 CH=5.9 包装图 料号 (PART NO) A-004R-102 |
| 审核 (CHECKED) | | |
| 核准 (APPROVED) | | |