

GT-TC177X-HXXX-LX

G-Switch

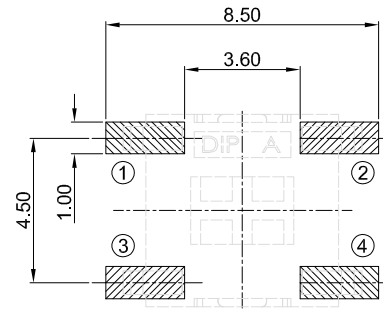
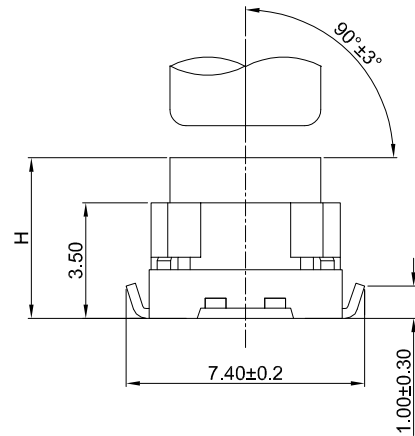
Operating Force

A=200gf
B=350gf

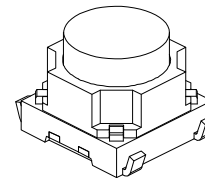
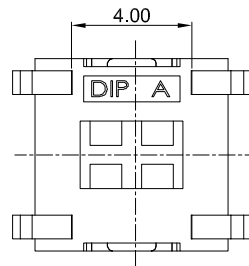
Switch Height (mm)
H050=5.0

Switch Lifetime (Force)
L03=30,000 Cycles (B)
L1=100,000 Cycles (A)

Keying Tip Tilt



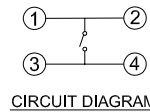
RECOMMENDED PCB LAYOUT
TOLERANCE:±0.05



G-Switch Specification:

1. Operating temperature range: -40°C ~ +85°C
2. Rating: 50mA, 12V DC
3. Insulation resistance: 100MΩ min, 100V DC
4. Dielectric strength: 250V AC for 1 min
5. Contact resistance: 100mΩ max.
6. Travel: 1.3±0.1mm

5	COVER	PA9T	BLACK
4	STEM	PA9T	RED
3	CONTACT	SILICONE RUBBER	NATURAL
2	TERMINAL	COPPER ALLOY	Ag PLATING
1	BASE	PA9T	BLACK
NO.	PART NAME	MATERIAL	REMARK



SCALE: 1:1 UNIT: mm
SIZE: A4

Unless otherwise
General Tolerance:

X. ±0.40
X.x ±0.30
X.xx ±0.20
X* ±3°

Title: Vertical Tact Switch
U Type 6.0×6.0×Hmm

Molde Code: GT-TC177X-HXXX-LX

DRAWN	CHECKED	APPROVED	DATE
Jiang	Xia	Chen	2025.04.02



REV: A0 SHEET: 1/1