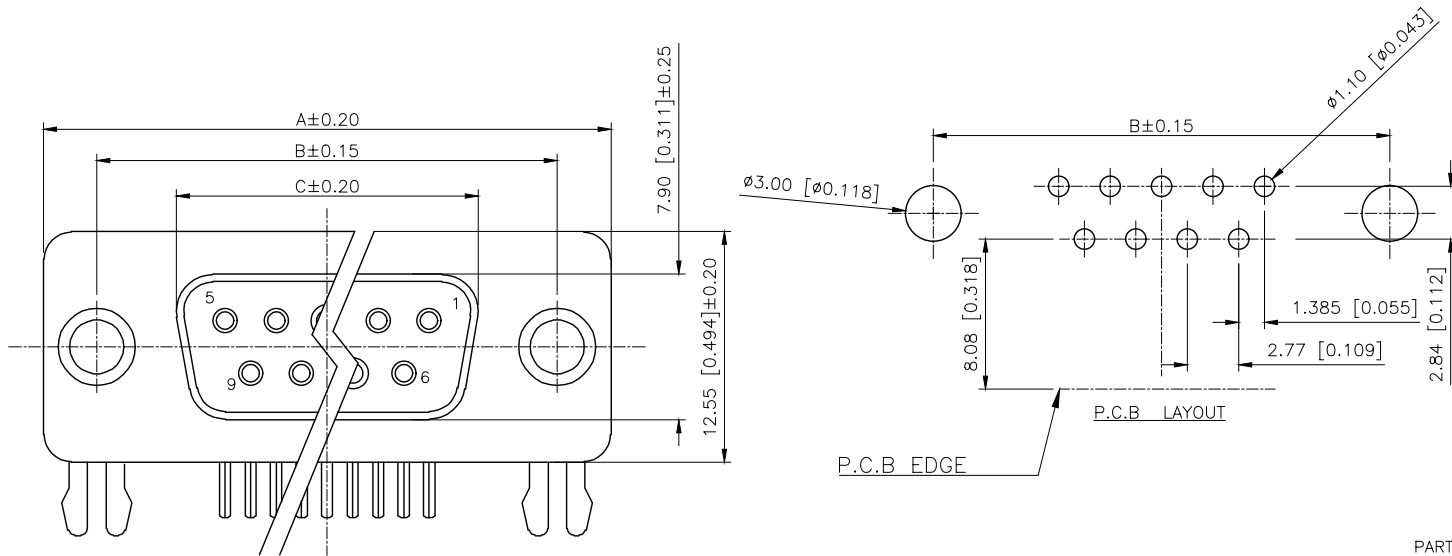


REVISIONS					
REV.	ECN NO.	LOCATION	DESCRIPTION	DATE	DESIGN
A0	N/A		INITIAL RELEASE	/	/
A1	N/A		图面升级整理图面	2025.05.22	阿树



Specifications:

规格:

Current rating:3A AC/DC

额定电流: 3A AC/DC

Voltage rating:250V AC

额定电压: 250V AC

Withstanding voltage:500V AC/MIN

耐受电压: ≥500V AC/分钟

Temperature range:-55°C~+105°C

温度范围: -55°C~+105°C

Insulation resistance:1000MΩMIN

绝缘电阻: ≥1000MΩ

Contact resistance:30mΩMAN

接触电阻:≤30mΩ

Material And FINISHED:

材料和成本:

INSULATOR:PBT UL 94V-0

绝缘体: PBT UL 94V-0

SHELL: SPCC-SD Plated Ni / Au / Sn

外壳: 铁合金 镀镍/金/锡

CONTACT MATERIAL:COPPER ALLOY

触点材料: 铜合金

PART NO.:

X03 09 F I Z B 2

① ② ③ ④ ⑤ ⑥ ⑦

①Series NO.

②Row No.Pin No.XX-09;15;25;37

③Welding Board Angle :F-Female

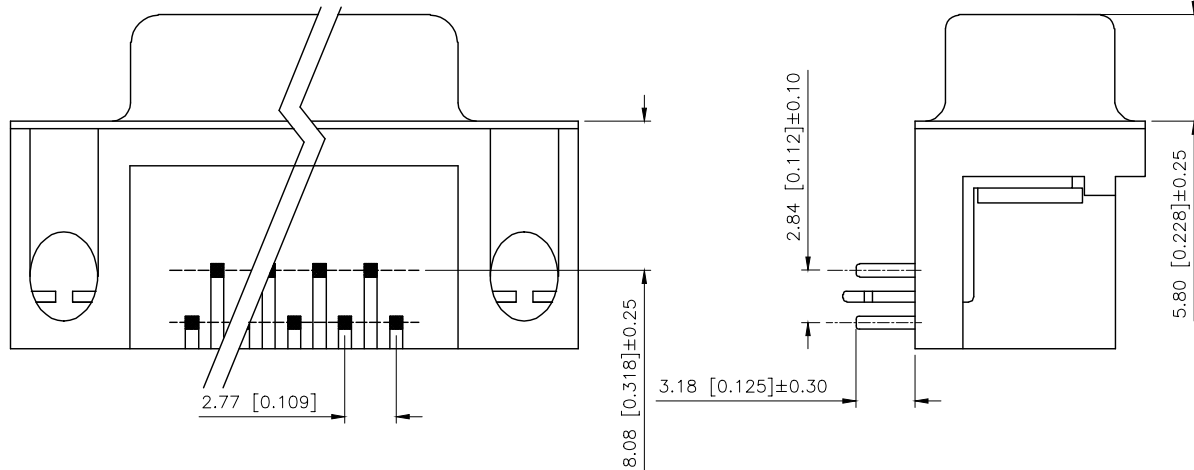
④T: Traditional

⑤Planting Category: 1:1U' 2:2U' 3:3U' 4:5U' 5:15U' 6:30U' 7:AuSn

⑥Color:B:Black W:White BL:Blue Y:Yellow G:Green R:Red

⑦1:TYPE-1; 2:TYPE-2; 3:TYPE-3; 4:TYPE-4; 6:TYPE-6

NO.OF CONTACT	A	B	C
09	30.80	24.99	16.35
15	39.20	33.30	24.75
25	53.05	47.04	38.35
37	69.40	63.50	54.75



铆合方式	TYPE-1:铆合	TYPE-6:直铆锁	TYPE-3:叉锁	TYPE-2:铆合锁螺丝
图式				

AuGLAR	±5°
X.	±0.40
X.x	±0.30
X.xx	±0.20
X.xxx	±0.15
UNSPECIFIED TOLERANCES	



DESIGN	阿树	VIEW:	MODEL TYPE: D-SUB
CHECKED		UNIT: mm/in	PART NO.: X0309FT7B2
APPROVED		SIZE: A4	DWG NO.: X-X0309FT7B2
			SCALE PAGE REVISION
			N/A 1/1 A1