

RECOMMEND P.C.B LAYOUT (COMPONENT SIDE)
TOLERANCE FOR PCB LAYOUT IS ± 0.05

REV. (版本号)	DESCRIPTION (变更说明)	DATE (日期)	APPD (核准)
A0	新订图面	2021.09.09	ZHUANG

- NOTES:
SPECIFICATION:
1. CURRENT RATING: 5.0 A
2. VOLTAGE RATING: 5.0 V
3. VBUS & GND PINS AND OTHER PINS: 40mΩ/PIN MAX
SHIELD: 50mΩ/MAX
LLCR MAX. CHANGE OF ALL PINS: 10Ωm
4. INSULATION RESISTANCE: 100MΩ MIN
5. DIELECTRIC WITHSTAND VOLTAGE, AC 100V FOR 1MINUTE
6. INSERTION FORCE: 0.5~2.0kgf
7. UNMATING FORCE: 0.8~2.0kgf
8. DURABILITY: 10000 CYCLES
9. OPERATING TEMPERATURE: -25°C~+85°C
10. THE PEAK TEMPERATURE ON THE BOARD SHALL BE MAINTAINED FOR 10 SECONDS AT 260°C

USB TYPE C PIN ASSIGNMENTS

PIN NUMBER	SIGNAL NAME	PIN NUMBER	SIGNAL NAME
A1	GND	B12	GND
A2	TX1+	B11	RX1+
A3	TX1-	B10	RX1-
A4	VBUS	B9	VBUS
A5	CC1	B8	SBU2
A6	DP1	B7	DN2
A7	DN1	B6	DP2
A8	SBU1	B5	CC2
A9	VBUS	B4	VBUS
A10	RX2-	B3	TX2-
A11	RX2+	B2	TX2+
A12	GND	B1	GND

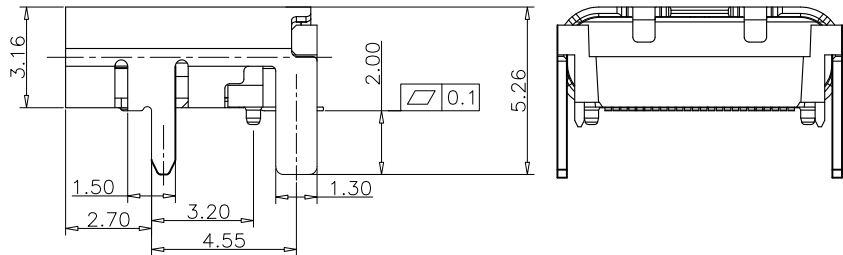
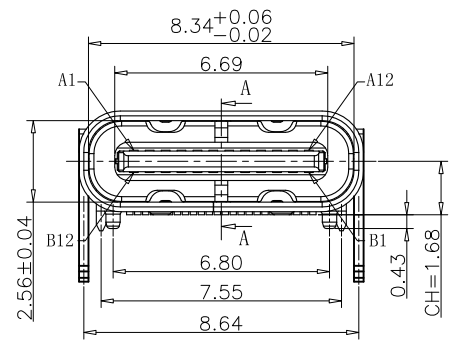
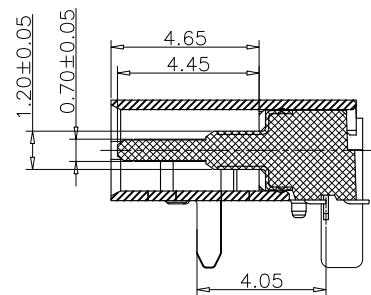
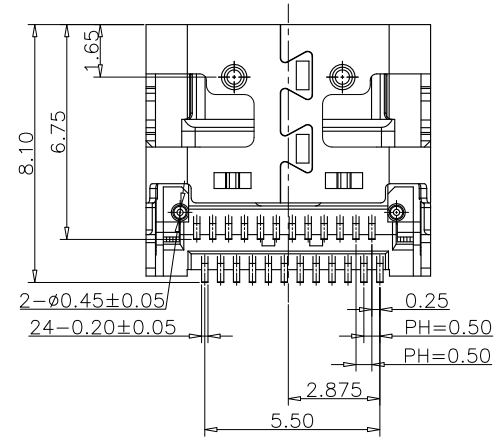


TABLE:

NO	PART	Q'TY	Material
1	SHELL	1	STAINLESS STEEL, NI PLATED
2	CONTACT	24	COPPER ALLOY, TIN/Au/Ni PLATED
3	MID PLATE	1	STAINLESS STEEL, NO PLATING
4	EMI	1	STAINLESS STEEL, NI PLATED
5	HOUSING	1	HIGH TEMPERATURE RESISTANT PLASTIC BLACK UL94 V-0



SECTION A-A
SCALE 1:1
端子 1A/1B
中隔板 3A
外壳 3B

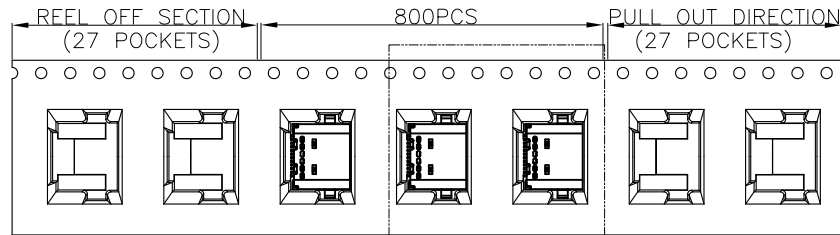
YWF 深圳市宇文发电子科技有限公司
Shen Zhen Yu Wen Fa Electronics Technology Co., Ltd
TEL: 0755-27711235 FAX: 0755-27712683

品名 (ITEM NO)	TYPE C 24P双排SMT母座板上有柱壳脚长2.0
料号 (PART NO)	PTCFW-H22A-058
图号 (DWG NO)	P-TCF-052

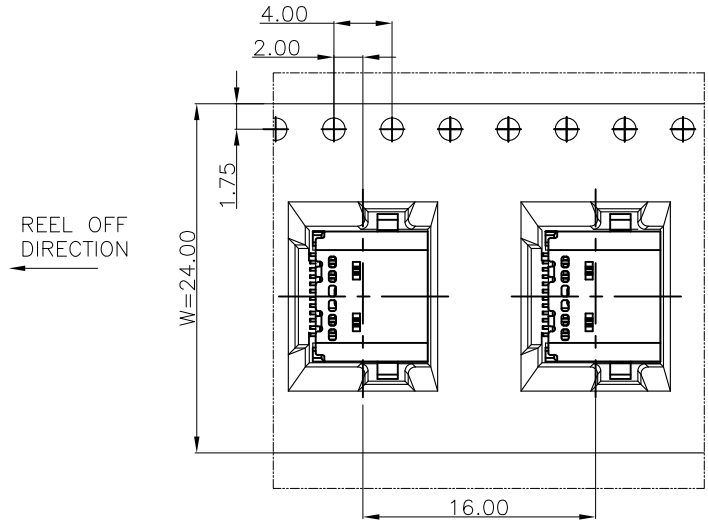
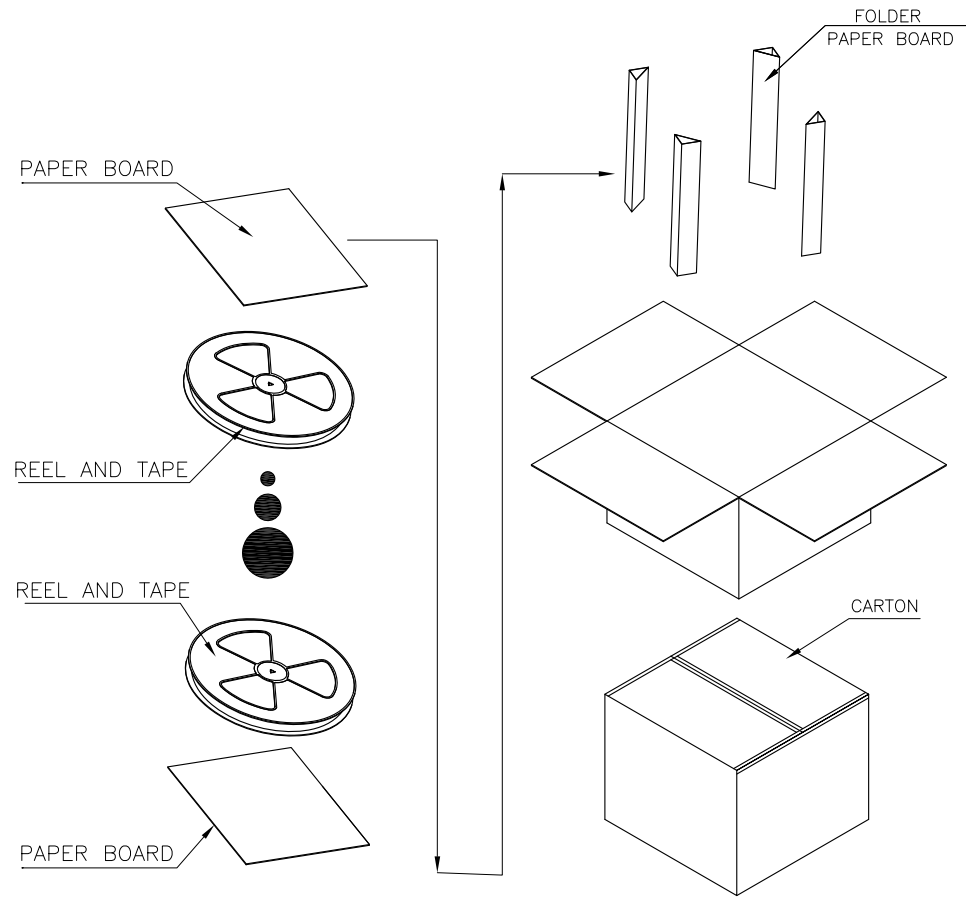
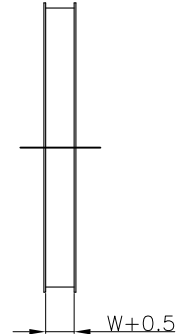
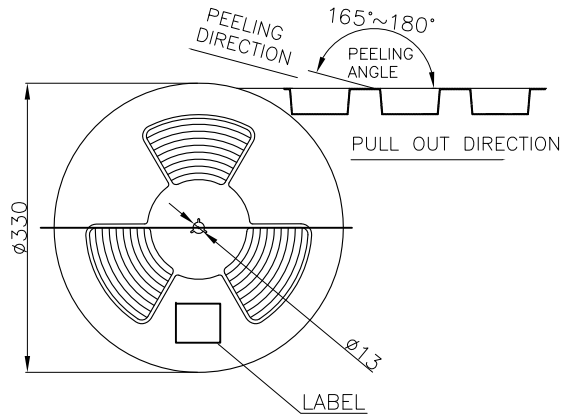
页码 (SHEET)	1/1	单位 (UNIT):	MM
版本 (REV)	A0	比例 (SCALE):	1:1
日期 (DATE)	2021.09.09	未注公差 TOLERANCE UNSPECIFIED X.X ±0.30 X.XX ±0.20 X.XXX ±0.10 X° ±5° X.X° ±2°	
设计 (DESIGN)	ZHUANG		
审核 (CHECKED)			
核准 (APPROVED)			

RoHS Compliant

REV.	ECN NO	DESCRIPTION	REVISER	DATE
A/0				
A/1				



SEE DETAIL X



	REEL	CARTON
CONNECTOR (PCS)	800	8000

图号 (DWG NO)	单位 (UNIT): MM	深圳市宇文发电子科技有限公司 Shen Zhen Yu Wen Fa Electronics Technology Co.,Ltd TEL:0755-27711235 FAX:0755-27712683
日期 (DATE)	比例 (SCALE) 1:1	
版次 (REV): A/0	页/次(PAGE): 1/1	
设计 (DESIGN)	ZHUANG	包装规范 品名 (ITEM NO) USB C F 双排板上SMT有柱(外壳脚长2.0)包装图 料号 (PART NO) A-004R-109
审核 (CHECKED)		
核准 (APPROVED)		