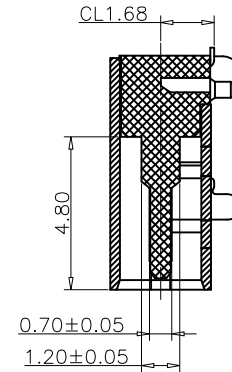
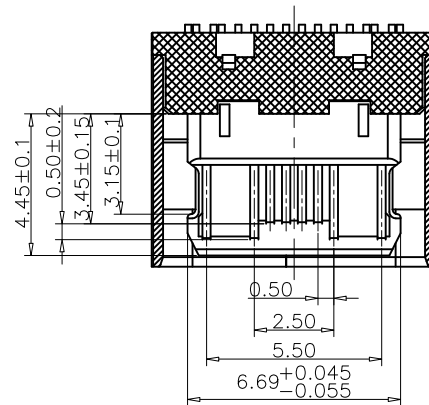
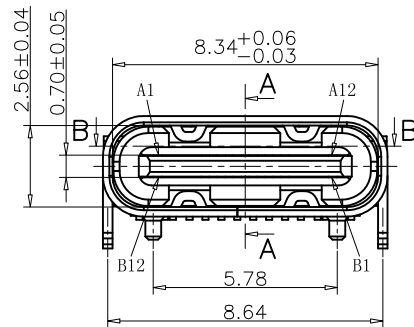
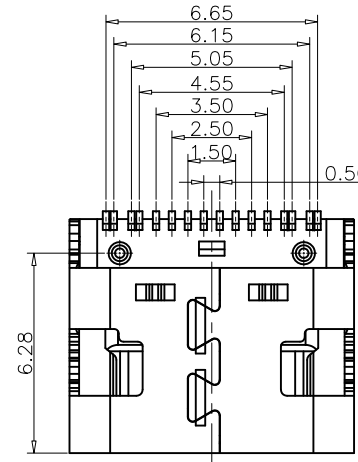
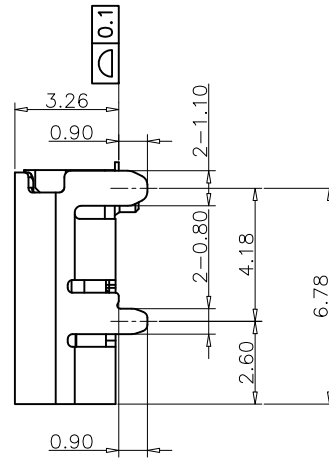
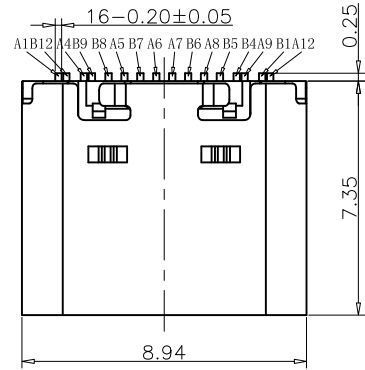


REV. (版本号)	DESCRIPTION (变更说明)	DATE (日期)	APPD (核准)
A0	新订图面	2019.09.03	Lee

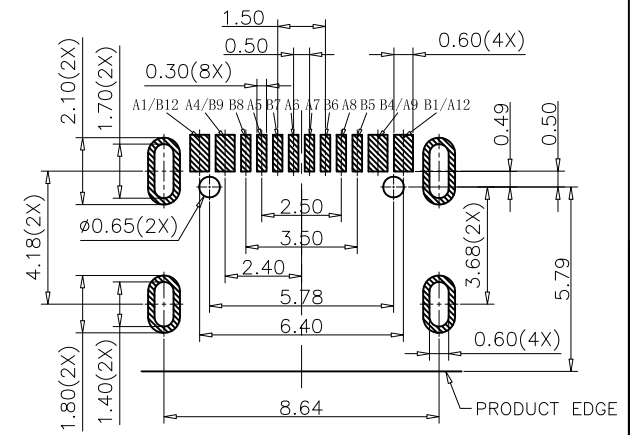
NOTES:

- 1.Material:See Table
- 2.Finished:See Table
- 3.Mechanical:
Insertion force: 0.5~2.0kgf
Removal force: 0.8~2.0kgf
Durability: 10000 times
- 4.Electrical:
Current rating: 5.0A
Voltage rating: 5.0V
Insulation resistance:100MΩ Min
Dielectric withstand voltage.AC 100V for 1Minute.
- 5.Environmental:
Operating temperature:-30°C~+80°C
- 6.IR REFLOW:
The peak temperature on the board shall be maintained for 10 seconds at 260°C



SECTION A-A
SCALE 1:1

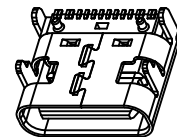
SECTION B-B
SCALE 1:1



RECOMMEND P.C.B LAYOUT (COMPONENT SIDE)
TOLERANCE FOR PCB LAYOUT IS ±0.05

USB TYPE C PIN ASSIGNMENTS

PIN NUMBER	SIGNAL NAME	PIN NUMBER	SIGNAL NAME
A1	GND	B12	GND
A4	VBUS	B9	VBUS
A5	CC1	B8	SUB2
A6	Dp1	B7	Dn2
A7	Dn1	B6	Dp2
A8	SBU1	B5	CC2
A9	VBUS	B4	VBUS
A12	GND	B1	GND



端子 1A
中隔片 1A
外壳 2A

TABLE:

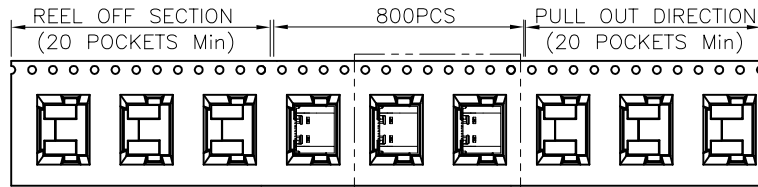
NO	PART	Q'TY	Material
1	SHELL	1	STAINLESS STEEL, Ni PLATED 30u"Min
2	CONTACT	16	COPPER STEEL, Ni 50u"Min; Au u"
3	MID PLATE	1	STAINLESS STEEL, NO PLATING
4	MD HOUSING	1	HIGH TEMPERATURE RESISTANT PLASTIC BLACK UL94 V-0

深圳市宇文发电子科技有限公司 Shen Zhen Yu Wen Fa Electronics Technology Co., Ltd TEL: 0755-27711235 FAX: 0755-27712683	
品名 (ITEM NO)	TYPE C 母座 16P L=7.35(2)
料号 (PART NO)	PTCFW-H22A-005
图号 (DWG NO)	P-TCF-003

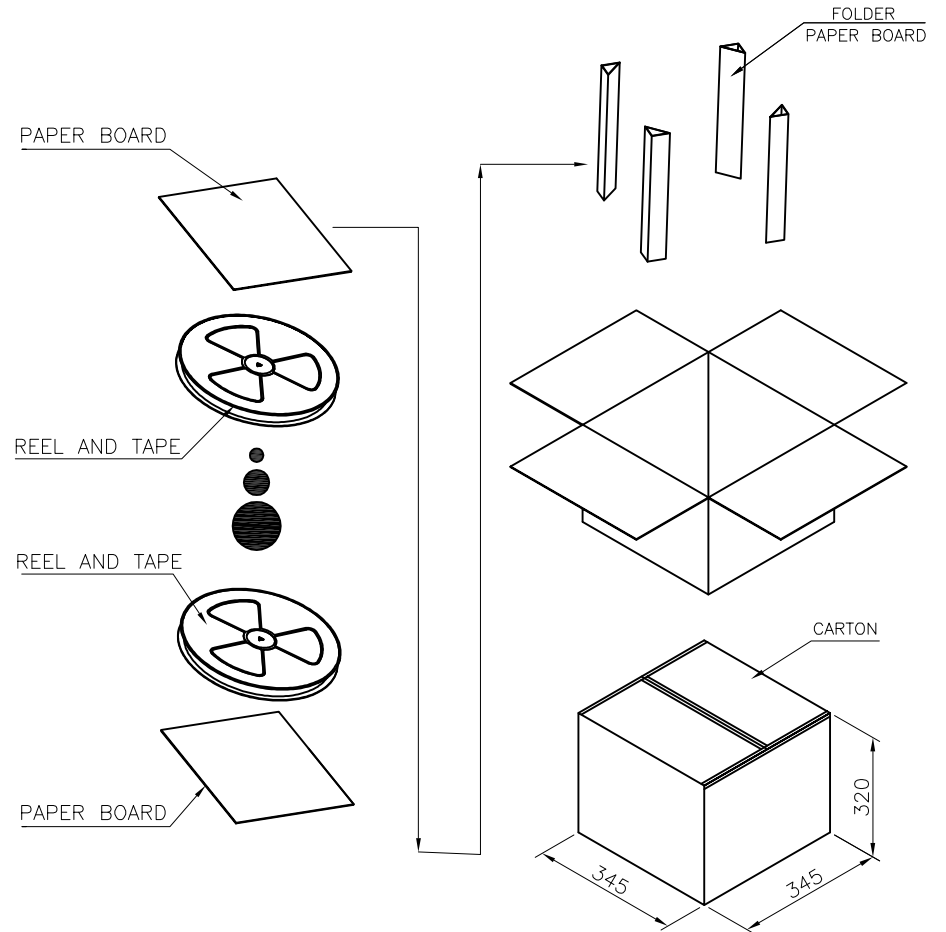
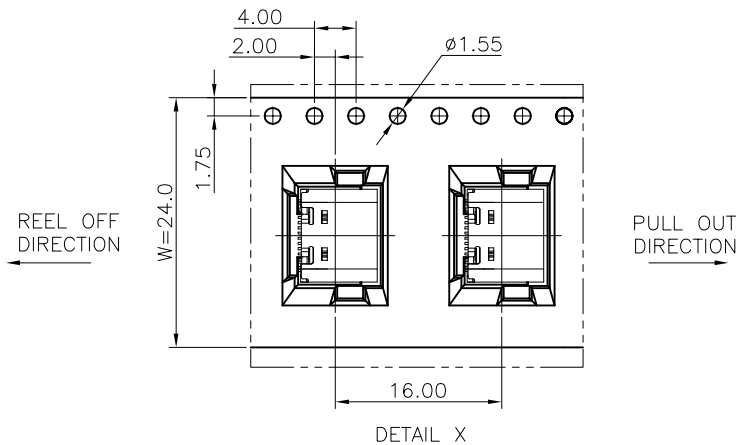
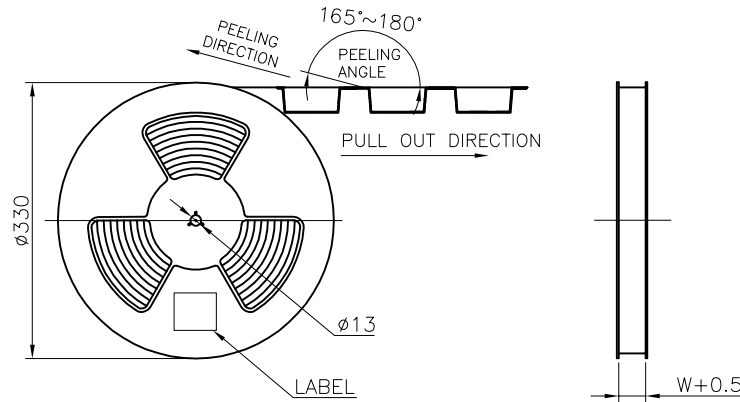
页码 (SHEET)	1/1	单位 (UNIT):	MM
版本 (REV)	A0	比例 (SCALE)	1:1
日期 (DATE)	2019.09.03		
设计 (DESIGN)	Lee	未注公差 TOLERANCE UNSPECIFIED	
审核 (CHECKED)		X.X ±0.30	
核准 (APPROVED)		X.XX ±0.20	
		X.XXX ±0.10	
		X° ±5°	
		X.X° ±2°	

RoHS Compliant

REV.	ECN NO	DESCRIPTION	REVISER	DATE
A/0				
A/1		取消PE袋与干燥剂, 以符合实际包装	ZHUANG	2023. 05. 05



SEE DETAIL X



	REEL	CARTON
CONNECTOR (PCS)	800	8000

图号 (DWG NO)		单位 (UNIT): MM	深圳市宇文发电子科技有限公司 Shen Zhen Yu Wen Fa Electronics Technology Co., Ltd TEL: 0755-27711235 FAX: 0755-27712683	
日期 (DATE)	2023. 05. 05	比例 (SCALE) 1:1		
版次 (REV): A/1	页/次 (PAGE): 1/1			
设计 (DESIGN)	ZHUANG	包装规范	品名 (ITEM NO)	USB TYPE C 16PIN L=7.35 包装图
审核 (CHECKED)			料号 (PART NO)	A-004R-065
核准 (APPROVED)				