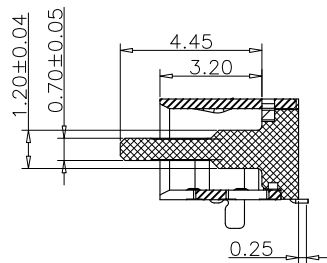
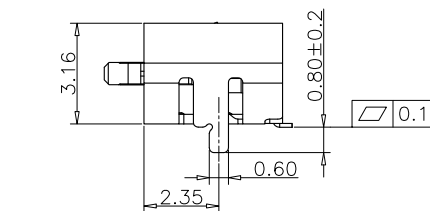
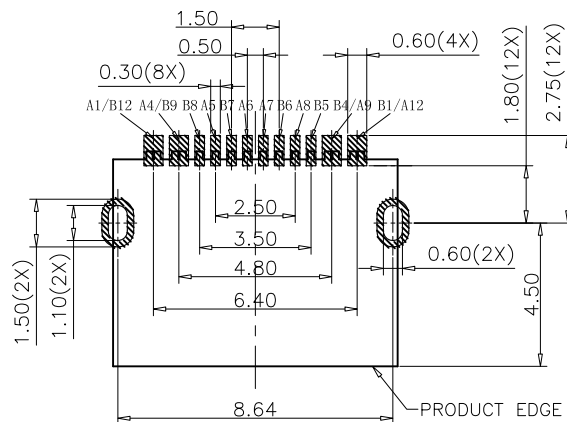


端子 2A
中隔片 1A
外壳 8A-1



SECTION A-A
SCALE 1:1

RECOMMEND P.C.B LAYOUT (COMPONENT SIDE)
TOLERANCE FOR PCB LAYOUT IS ±0.05



REV. (版本号)	DESCRIPTION (变更说明)	DATE (日期)	APPD (核准)
A0	新订图面	2022.04.18	ZHUANG

NOTES:

- Material: See Table
- Finished: See Table
- Mechanical:
Insertion force: 0.5~2.0kgf
Removal force: 0.8~2.0kgf
Durability: 10000 times
- Electrical:
Current rating: 5.0A
Voltage rating: 5.0V
Insulation resistance: 100MΩ Min
Dielectric withstand voltage: AC 100V for 1Minute.
- Environmental:
Operating temperature: -30°C~+80°C
- IR REFLOW:
The peak temperature on the board shall be maintained for 10 seconds at 260°C

USB TYPE C PIN ASSIGNMENTS

PIN NUMBER	SIGNAL NAME	PIN NUMBER	SIGNAL NAME
A1	GND	B12	GND
A4	VBUS	B9	VBUS
A5	CC1	B8	SUB2
A6	Dp1	B7	Dn2
A7	Dn1	B6	Dp2
A8	SBU1	B5	CC2
A9	VBUS	B4	VBUS
A12	GND	B1	GND

TABLE:

NO	PART	Q'TY	Material
1	SHELL	1	STAINLESS STEEL, Ni PLATED 30u"Min
2	CONTACT	16	COPPER STEEL, Ni 50u"Min; Au u"
3	MID PLATE	1	STAINLESS STEEL, NO PLATING
4	MD HOUSING	1	HIGH TEMPERATURE RESISTANT PLASTIC BLACK UL94 V-0

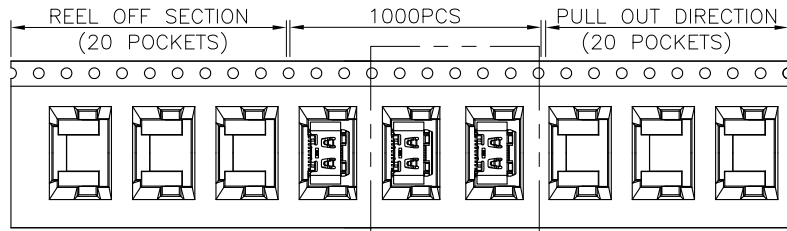

深圳市宇文发电子科技有限公司
 Shen Zhen Yu Wen Fa Electronics Technology Co., Ltd
 TEL: 0755-27711235 FAX: 0755-27712683

品名 (ITEM NO)	TYPE C 16P母座SMT L=5.6(带弹片)
料号 (PART NO)	PTCFW-H22A-077
图号 (DWG NO)	P-TCF-080

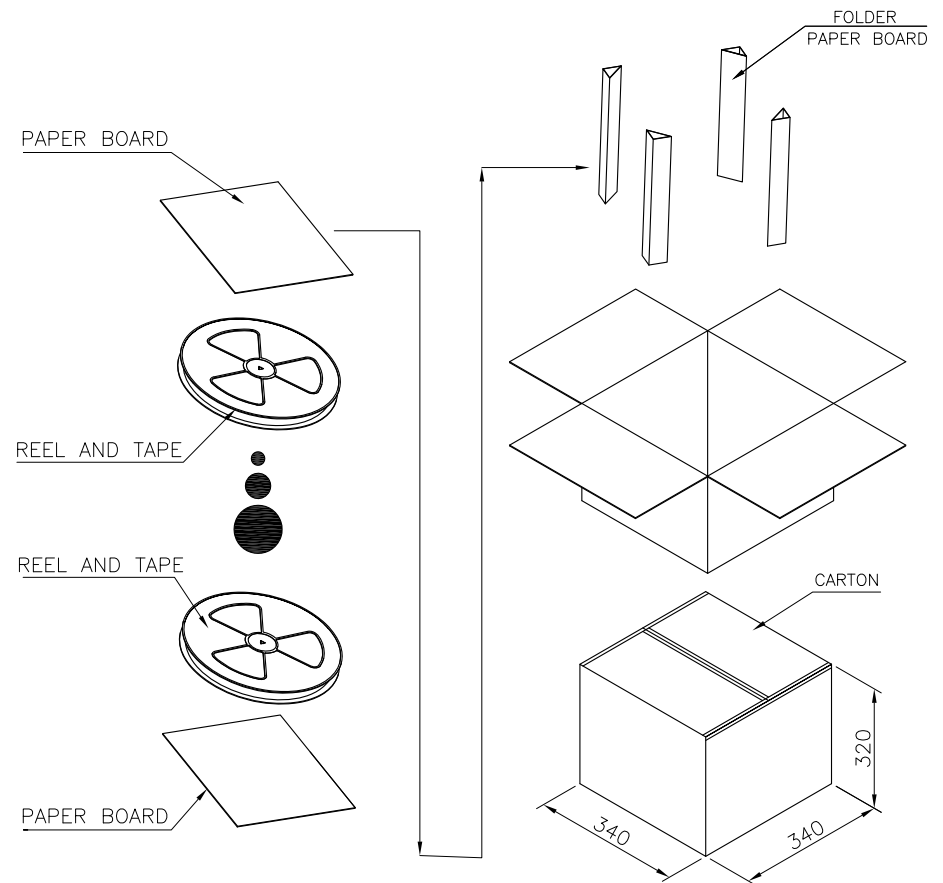
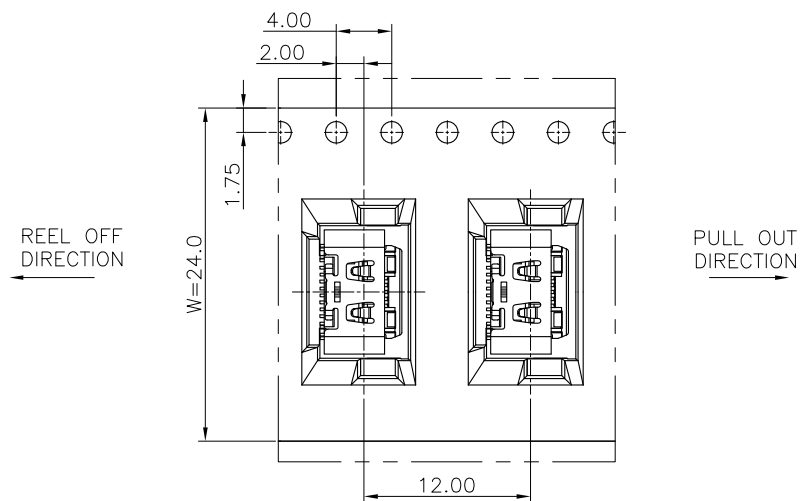
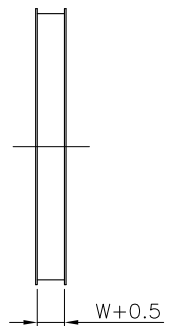
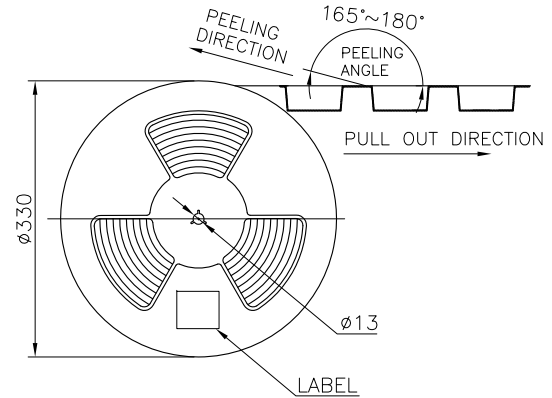
页码 (SHEET)	1/1	单位 (UNIT):	MM
版本 (REV)	A0	比例 (SCALE)	1:1
日期 (DATE)	2022.04.18		
设计 (DESIGN)	ZHUANG	未注公差 TOLERANCE UNSPECIFIED	
审核 (CHECKED)		X.X	±0.30
核准 (APPROVED)		X.XX	±0.20
		X.XXX	±0.10
		X°	±5°
		X.X°	±2°

RoHS Compliant

REV.	ECN NO	DESCRIPTION	REVISER	DATE
A/0				
A/1				



SEE DETAIL X



	REEL	CARTON
CONNECTOR (PCS)	1000	10000

图号 (DWG NO)	单位 (UNIT): MM	深圳市宇文发电子科技有限公司 Shen Zhen Yu Wen Fa Electronics Technology Co.,Ltd TEL:0755-27711235 FAX:0755-27712683		
日期 (DATE)	2022. 07. 15			
版次 (REV): A/0	页/次(PAGE): 1/1	包装规范	品名 (ITEM NO)	TYPE C 16P母座SMT L=5.6 包装图
设计 (DESIGN)	ZHUANG		料号 (PART NO)	A-004R-125
审核 (CHECKED)				
核准 (APPROVED)				