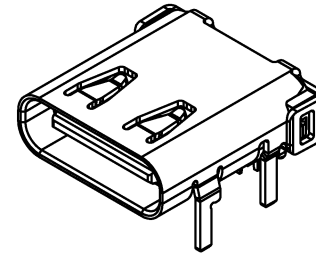
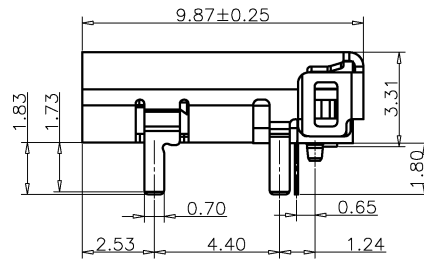
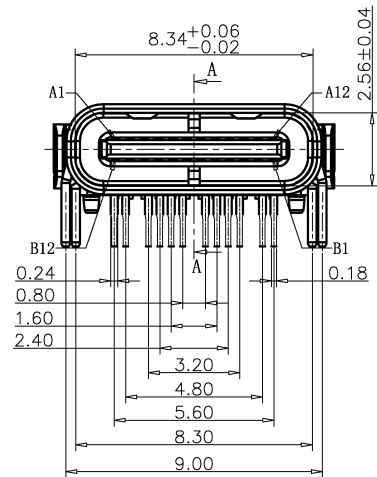


RECOMMEND P.C.B LAYOUT(T=1.00mm)
TOLERANCE UNSPECIFIED ±0.05mm

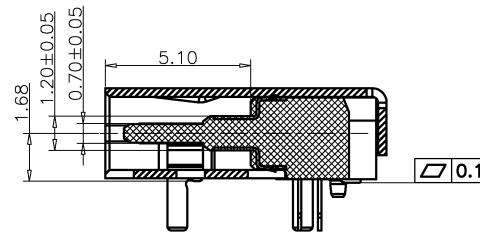
REV. (版本号)	DESCRIPTION (变更说明)	DATE (日期)	APPD (核准)
A0	新订图面	2022.06.22	Yuxiang
A1	增加尺寸管控	2024.11.25	Pengjingjing

NOTES:
SPECIFICATION:
 1. CURRENT RATING: 5.0 A
 2. VOLTAGE RATING: 5.0 V
 3. VBUS & GND PINS AND OTHER PINS: 40mΩ/PIN MAX
 SHIELD: 50mΩ/MAX
 LLCR MAX. CHANGE OF ALL PINS: 10Ωm
 4. INSULATION RESISTANCE: 100MΩ MIN
 5. DIELECTRIC WITHSTAND VOLTAGE, AC 100V FOR 1MINUTE
 6. INSERTION FORCE: 0.5~2.0kgf
 7. UNMATING FORCE: 0.8~2.0kgf
 8. DURABILITY: 10000 CYCLES
 9. OPERATING TEMPERATURE: -25°C~+85°C
 10. THE PEAK TEMPERATURE ON THE BOARD SHALL BE MAINTAINED FOR 10 SECONDS AT 260°C



USB TYPE C PIN ASSIGNMENTS

PIN NUMBER	SIGNAL NAME	PIN NUMBER	SIGNAL NAME
A1	GND	B12	GND
A2	TX1+	B11	TX1+
A3	TX1-	B10	TX1-
A4	VBUS	B9	VBUS
A5	CC1	B8	SBU2
A6	DP1	B7	DN2
A7	DN1	B6	DP2
A8	SBU1	B5	CC2
A9	VBUS	B4	VBUS
A10	RX2-	B3	TX2-
A11	RX2+	B2	TX2+
A12	GND	B1	GND



SECTION A-A
SCALE 1:1

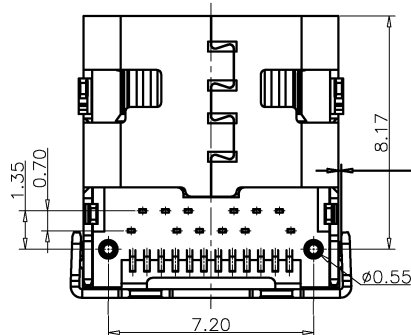


TABLE:

NO	PART	Q'TY	Material
1	SHELL	1	STAINLESS STEEL, NI PLATED
2	CONTACT	24	COPPER ALLOY, Au/NI PLATED
3	MID PLATE	1	STAINLESS STEEL, NO PLATING
4	EMI	1	STAINLESS STEEL, NO PLATING
5	HOUSING	1	HIGH TEMPERATURE RESISTANT PLASTIC BLACK UL94 V-0

YWF 深圳市宇文发电子科技有限公司
 Shen Zhen Yu Wen Fa Electronics Technology Co., Ltd
 TEL: 0755-27711235 FAX: 0755-27712683

品名 (ITEM NO)	TYPE CF 24P DIP+SMT CONN (脚长1.80) 胶芯:LCP无卤/黑色; 端子镀金3u, 锡脚G/F
料号 (PART NO)	PTCFW-H27C-013
图号 (DWG NO)	P-TCF-083

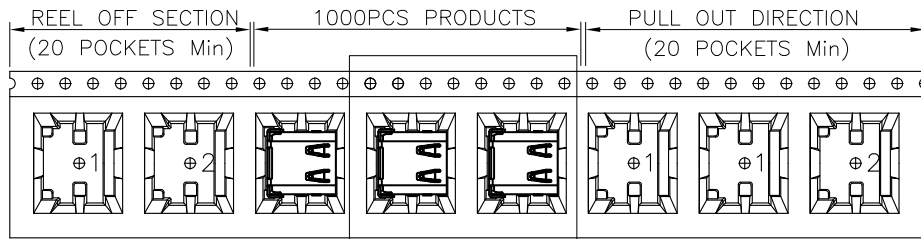
页码 (SHEET)	1/1	单位 (UNIT):	MM
版本 (REV)	A1	比例 (SCALE):	1:1
日期 (DATE)	2022.06.22		
设计 (DESIGN)	Yuxiang		
审核 (CHECKED)			
核准 (APPROVED)			

未注公差
TOLERANCE UNSPECIFIED

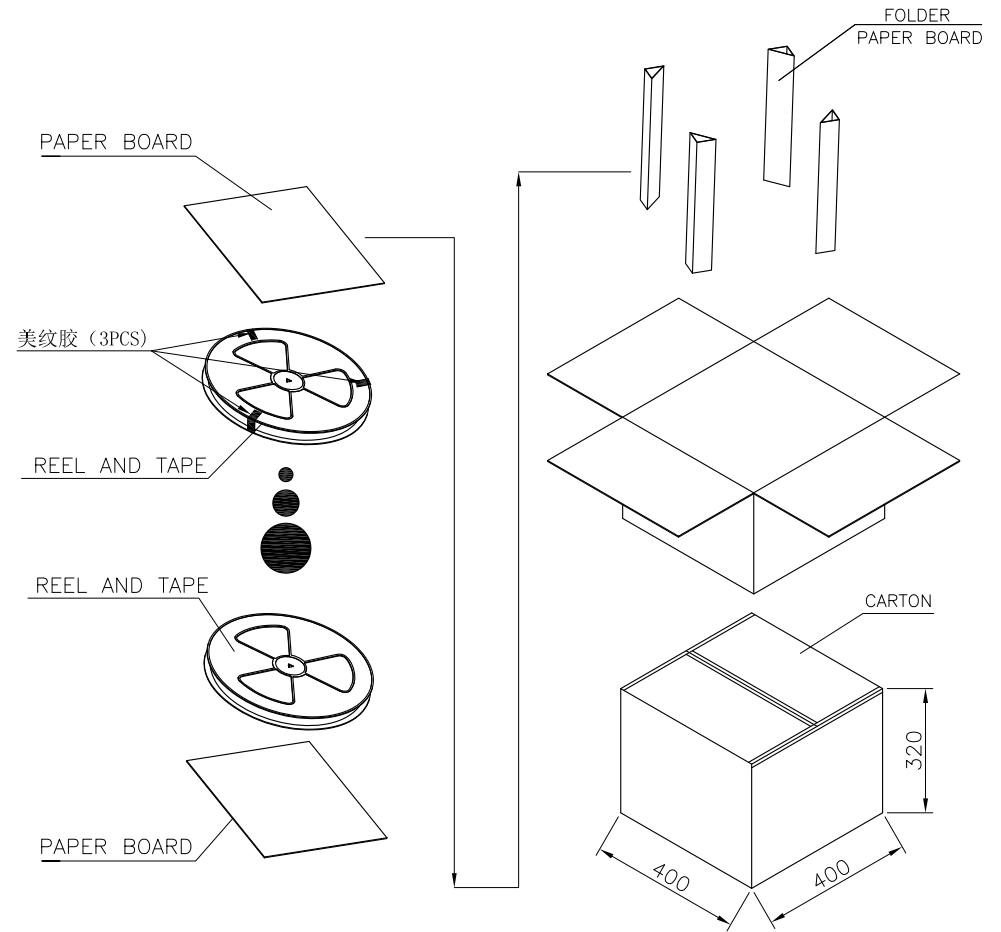
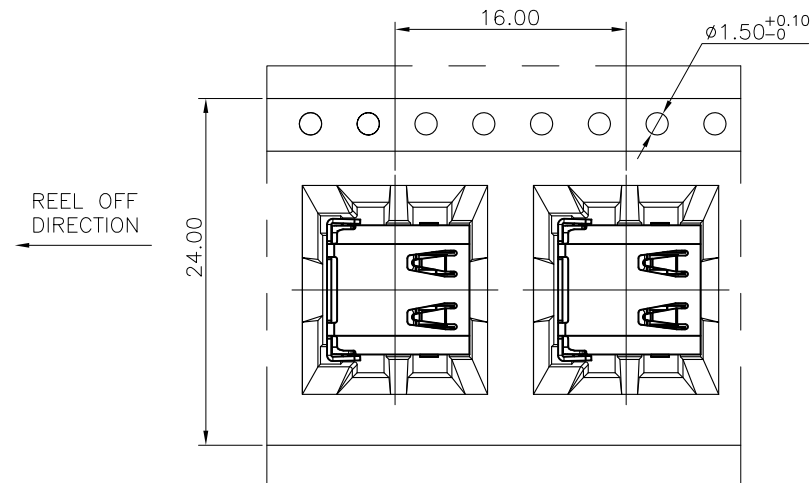
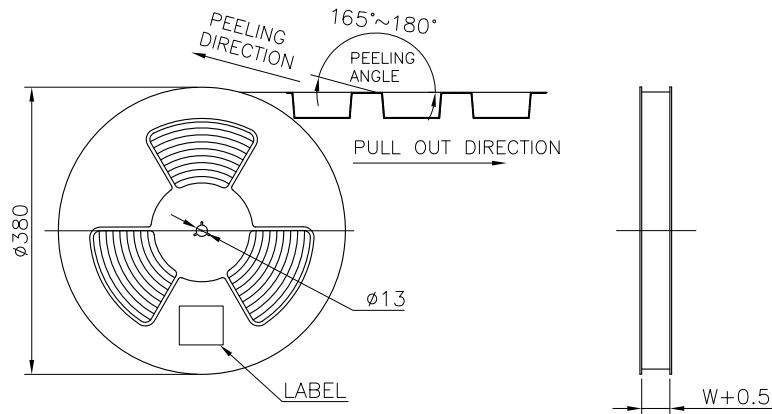
X.X	±0.30
X.XX	±0.20
X.XXX	±0.10
X°	±5°
X.X°	±2°

RoHS Compliant

REV.	ECN NO	DESCRIPTION	REVISER	DATE
A/0				
A/1				



SEE DETAIL X



	REEL/TRAY	CARTON
CONNECTOR (PCS)	1000	10000

图号 (DWG NO)	单位 (UNIT): MM	深圳市宇文发电子科技有限公司 Shen Zhen Yu Wen Fa Electronics Technology Co., Ltd TEL: 0755-27711235 FAX: 0755-27712683
日期 (DATE)	2020.06.19	
版次 (REV): A/0	页/次 (PAGE): 1/1	
设计 (DESIGN)	Lee	包装规范 品名 (ITEM NO) TYPE CF 24P DIP+SMT CONN 系列包规 料号 (PART NO) A-004R-122
审核 (CHECKED)		
核准 (APPROVED)		