

NOTE:

1.MATERIAL SPECIFICATION:

- 1.HOUSING:HIGH TEMPERATURE RESISTANT PLASTIC
- 2.TERMINAL: COPPER ALLOY
- 3.MID PLATE: STAINLESS STEEL
- 4.FRONT SHELL: STAINLESS STEEL
- 5.O-RING: SILICA GEL,BLACK
- 6.GLUE:EPOXY,BLACK

2.PLATING SPECIFICATION:

2-1.TERMINAL:

- Ni 50u" MIN. UNDER PLATED OVER ALL.
- Au G/F PLATED ON THE CONTACT AREA
- Au G/F PLATED ON THE SOLDER AREA

2-2. SHELL:

- Ni 50u" MIN. UNDER PLATED OVER ALL.

2-3.MID PLATE:

- CLEAR ONLY

3.MECHANICAL PERFORMANCE,

- 3-1.INSERTION FORCE: 0.5~2.0kgf.
- 3-2.REMOVAL FORCE: 0.8kgf~2.0kgf.
- 3-3.DURABILITY: 10000 CYCLES.

4.ELECTRICAL PERFORMANCE,

- 4-1. VOLTAGE RATING:5 V DC/AC (RMS. max)
CURRENT RATING:5 AMPS. FOR TOTAL VBUS/GND PINS;
- 4-2. LLCR:
VBUS & GND PINS AND OTHER PINS: 40mA/PIN MAX.
LLCR MAX. CHANGE OF ALL PINS: 10mA.
- 4-3.INSULATION RESISTANCE: 100MΩ MIN
- 4-4.DIELECTRIC WITHSTAND VOLTAGE,AC 100V FOR 1 MINUTE.

5. ENVIRONMENTAL PERFORMANCE:

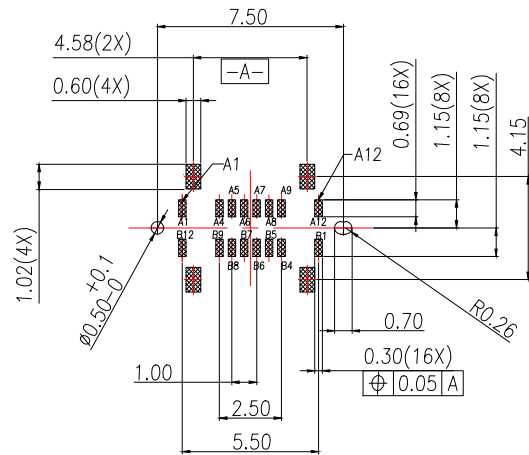
- OPERATING TEMPERATURE: -40°C~+85°C.

6.IR REFLOW:

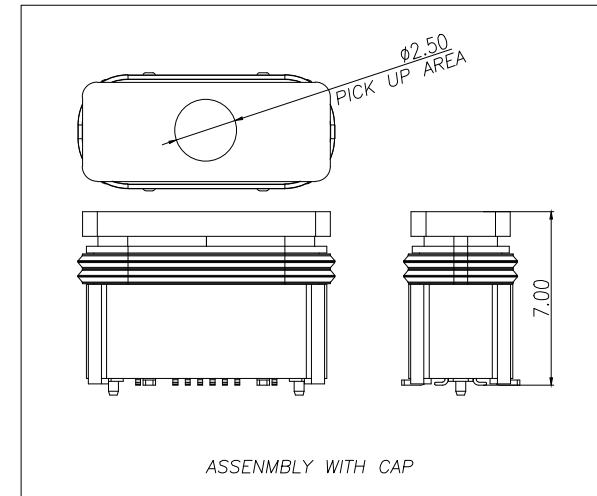
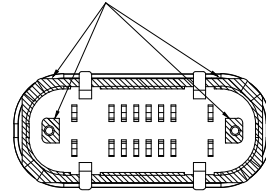
- THE PEAK TEMPERATURE ON THE BOARD SHALL BE MAINTAINED FOR 10 SECONDS AT 260°C.

7.WATERPROOF:IPX5

制图 DRAWN	变更内容 DESCRIPTION	日期 DATE	GENERAL TOLERANCE		制图 DRAWING	EMMA		料号 PART NO.	BX-TYPEC-LTM16-X5H6		版本 REV.	A
			.X±0.30	X.*±5°	审核 CHECK	EVA		品名 TITLE	USB TYPE C 16pos VERTIACL H=6.0mm IPX5		页次 SHEET	1/1
			.XX±0.20	.X.*±3°	核准 APPROVAL	JADE		客户料号 CUTM.NO.				
			.XXX±0.10	.XX.*±2°	单位 UNITS	MM	比例 SCALE	1:1				



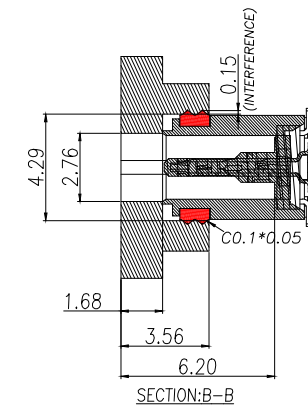
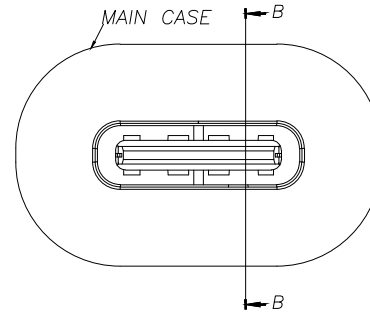
THERE IS SOME GLUE ON THE MAKE AREA(MAY BE)
IT IS NOT AFFECT SOLDERING



RECOMMENDED PCB LAYOUT(TOP VIEW)
THICKNESS 0.8±0.10MM;DEFAULT TOLERANCE:±0.05

USB TYPE-C PIN ASSIGNMENTS

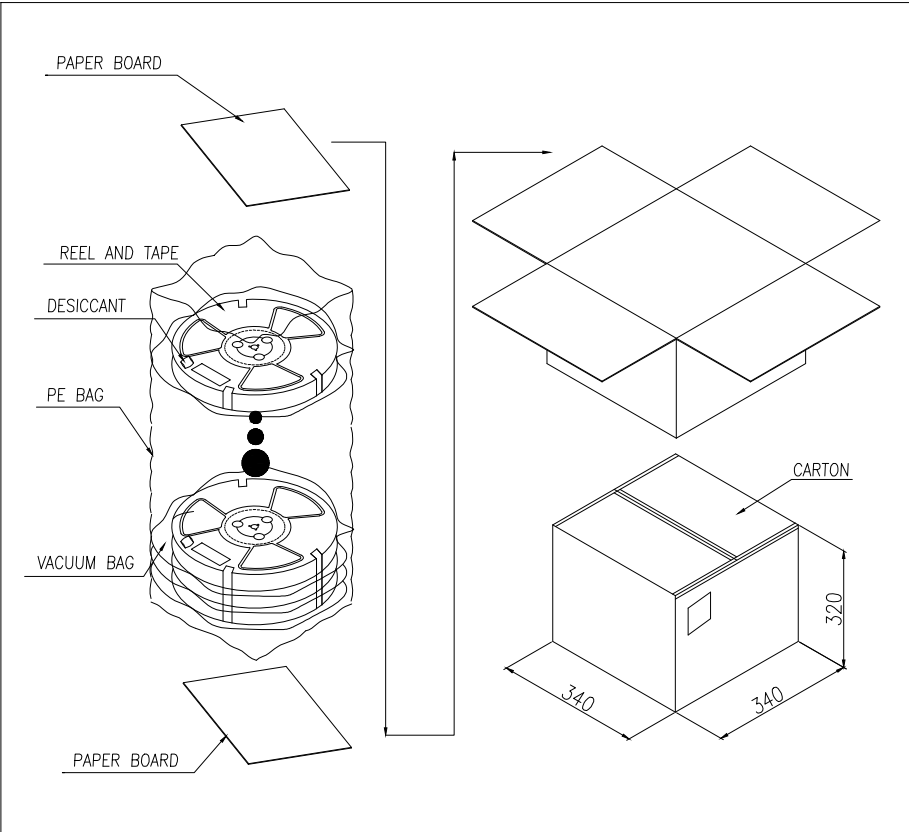
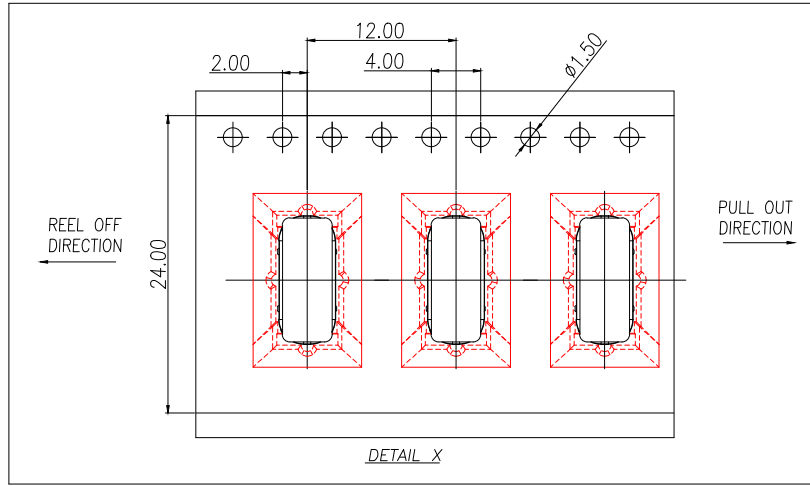
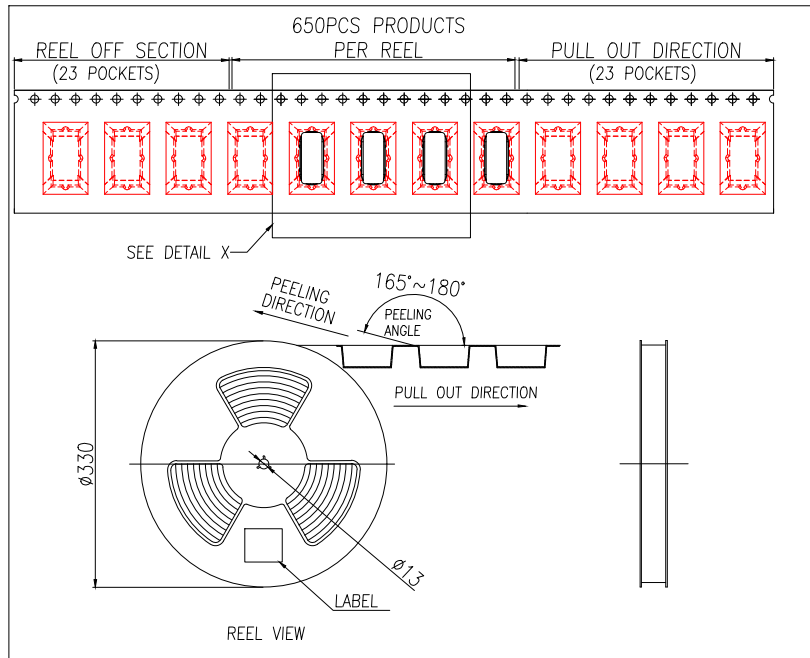
PIN NUMBER	SIGNAL NAME	PIN NUMBER	SIGNAL NAME
A1	GND	B12	GND
A4	Vbus	B9	Vbus
A5	CC1	B8	SBU2
A6	Dp1	B7	Dn2
A7	Dn1	B6	Dp2
A8	SBU1	B5	CC2
A9	Vbus	B4	Vbus
A12	GND	B1	GND



RECOMMENDED OPENING DIMENSIONS
OF CASE MATING AREA WITH SEALING RING

制图 DRAWN	变更内容 DESCRIPTION	日期 DATE	GENERAL TOLERANCE		制图 DRAWING	EMMA EVA JADE	料号 PART NO.	BX-TYPEC-LTM16-X5H6	版本 REV.	A
			.X±0.30	X.*±5°	审核 CHECK		品名 TITLE	USB TYPE C 16pos VERTIACL H=6.0mm IPX5	页次 SHEET	1/1
			.XX±0.20	.X.*±3°	核准 APPROVAL		客户料号 CUTM.NO.			
			.XXX±0.10	.XX.*±2°	单位 UNITS		MM	比例 SCALE	1:1	





	REEL/TRAY	CARTON
CONNECTOR (PCS)	650	6500

制图 DRAWN	变更内容 DESCRIPTION	日期 DATE	GENERAL TOLERANCE		制图 DRAWING	EMMA	料号 PART NO.	BX-TYPEC-LTM16-X5H6	版本 REV.	A								
			.X \pm 0.30	X' \pm 5°							审核 CHECK	EVA	品名 TITLE	USB TYPE C 16pos VERTIACL H=6.0mm IPX5	页次 SHEET	1/1		
			.XX \pm 0.20	.X' \pm 3°													核准 APPROVAL	JADE
			.XXX \pm 0.10	.XX' \pm 2°														

客户料号
CUTM.NO.

B Bossie (博锡)