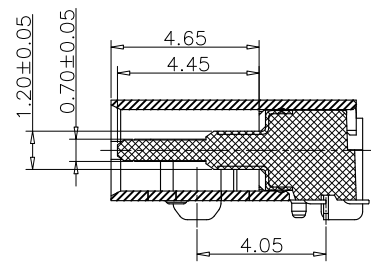
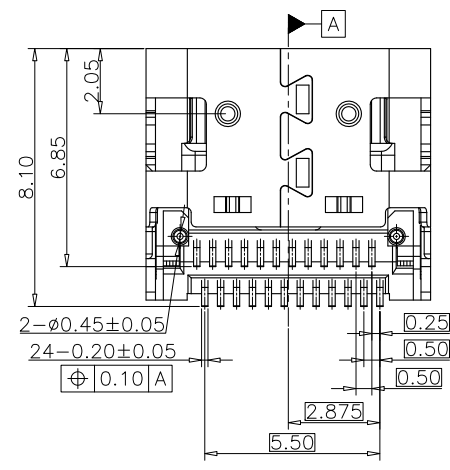
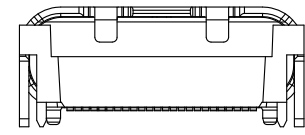
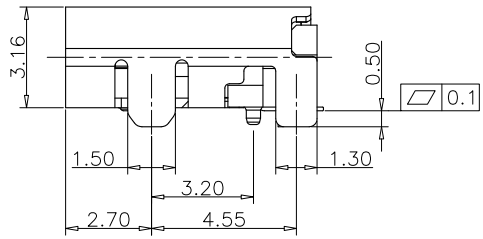
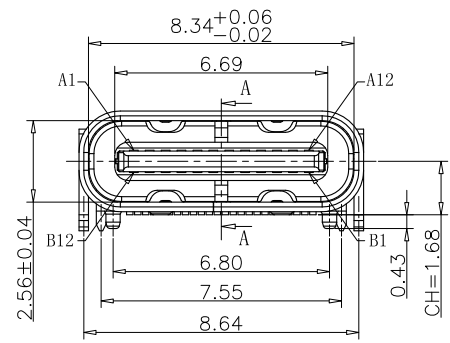


RECOMMEND P.C.B LAYOUT (COMPONENT SIDE)
TOLERANCE FOR PCB LAYOUT IS ± 0.05

- NOTES:
SPECIFICATION:
1. CURRENT RATING: 5.0 A
2. VOLTAGE RATING: 5.0 V
3. VBUS & GND PINS AND OTHER PINS: 40m Ω /PIN MAX
SHIELD: 50m Ω /MAX
LLCR MAX. CHANGE OF ALL PINS: 10 Ω m
4. INSULATION RESISTANCE: 100M Ω MIN
5. DIELECTRIC WITHSTAND VOLTAGE, AC 100V FOR 1MINUTE
6. INSERTION FORCE: 0.5~2.0kgf
7. UNMATING FORCE: 0.8~2.0kgf
8. DURABILITY: 10000 CYCLES
9. OPERATING TEMPERATURE: -25 $^{\circ}$ C~+85 $^{\circ}$ C
10. THE PEAK TEMPERATURE ON THE BOARD SHALL BE MAINTAINED FOR 10 SECONDS AT 260 $^{\circ}$ C

USB TYPE C PIN ASSIGNMENTS

PIN NUMBER	SIGNAL NAME	PIN NUMBER	SIGNAL NAME
A1	GND	B12	GND
A2	TX1+	B11	TX1+
A3	TX1-	B10	TX1-
A4	VBUS	B9	VBUS
A5	CC1	B8	SBU2
A6	DP1	B7	DN2
A7	DN1	B6	DP2
A8	SBU1	B5	CC2
A9	VBUS	B4	VBUS
A10	RX2-	B3	TX2-
A11	RX2+	B2	TX2+
A12	GND	B1	GND



SECTION A-A
SCALE 1:1

端子 6A/6B
中隔板 2A
外壳 1B

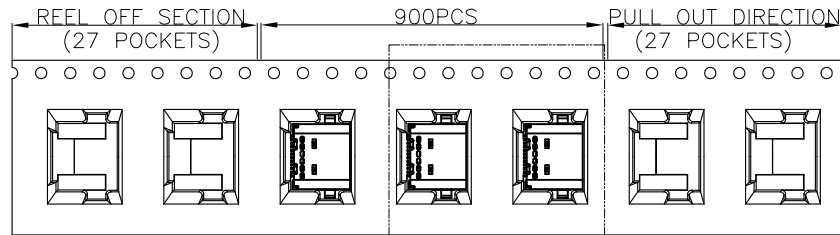
TABLE:

NO	PART	Q'TY	Material
1	SHELL	1	STAINLESS STEEL, NI PLATED
2	CONTACT	24	COPPER ALLOY, TIN/AU/NI PLATED
3	MID PLATE	1	STAINLESS STEEL, NO PLATING
4	EMI	1	STAINLESS STEEL, NI PLATED
5	HOUSING	1	HIGH TEMPERATURE RESISTANT PLASTIC BLACK UL94 V-0

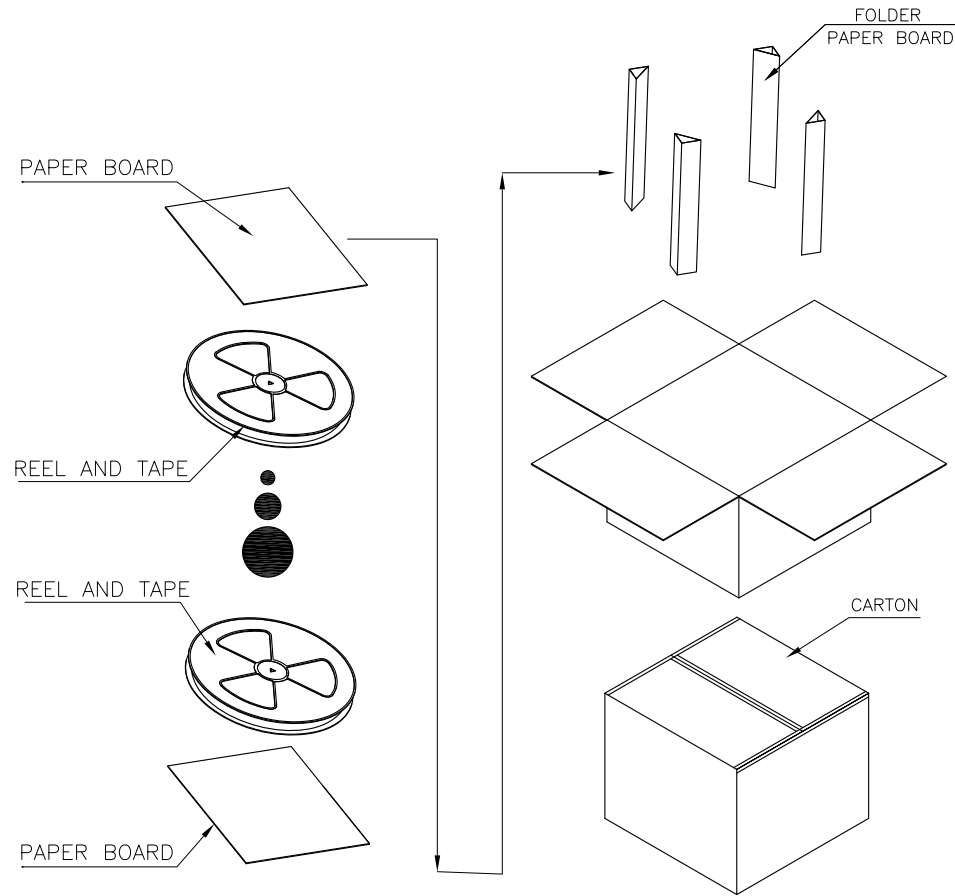
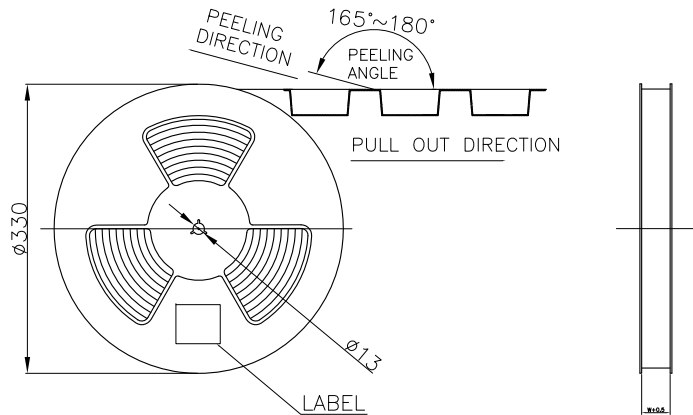
<p>深圳市宇文发电子科技有限公司 Shen Zhen Yu Wen Fa Electronics Technology Co., Ltd TEL: 0755-27711235 FAX: 0755-27712683</p>	品名 (ITEM NO)	TYPE_C_24P母座双贴板上高频款	页码 (SHEET)	1/1	单位 (UNIT): MM
	料号 (PART NO)	PTCFW-H22F-027	版本 (REV)	A0	比例 (SCALE) 1:1
	图号 (DWG NO)		日期 (DATE)	2024. 09. 26	
			设计 (DESIGN)	Liangjian	未注公差 TOLERANCE UNSPECIFIED
			审核 (CHECKED)		X.X ±0.30 X.XX ±0.15 X.XXX ±0.10 X° ±5° X.X° ±2°
		核准 (APPROVED)			

RoHS Compliant

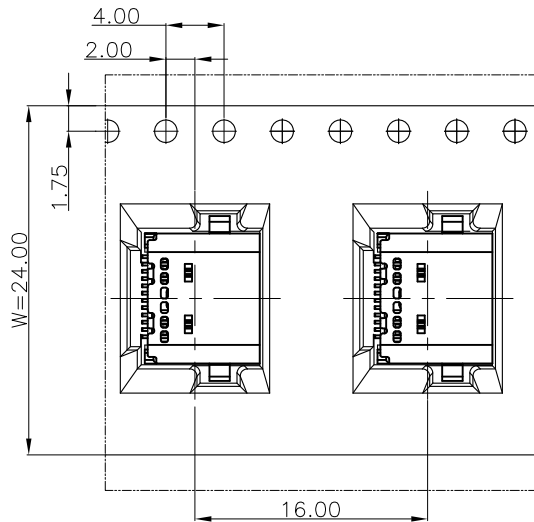
REV.	ECN NO	DESCRIPTION	REVISER	DATE
A/0				
A/1				



SEE DETAIL X



REEL OFF DIRECTION



PULL OUT DIRECTION

	REEL	CARTON
CONNECTOR (PCS)	900	9000

图号 (DWG NO)	单位 (UNIT): MM	深圳市宇文发电子科技有限公司 Shen Zhen Yu Wen Fa Electronics Technology Co., Ltd TEL: 0755-27711235 FAX: 0755-27712683
日期 (DATE)	比例 (SCALE) 1:1	
版次 (REV): A/0	页/次 (PAGE): 1/1	
设计 (DESIGN)	ZHUANG	包装规范 品名 (ITEM NO) USB C F 双排SMT有柱 包装图 料号 (PART NO) A-004R-093
审核 (CHECKED)		
核准 (APPROVED)		