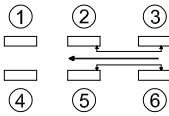
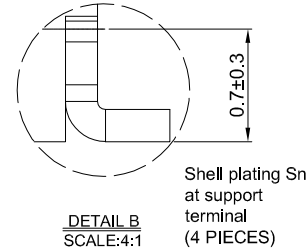
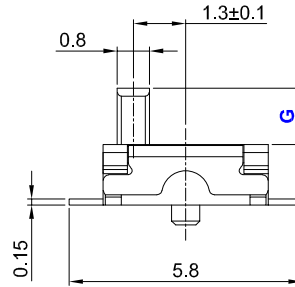
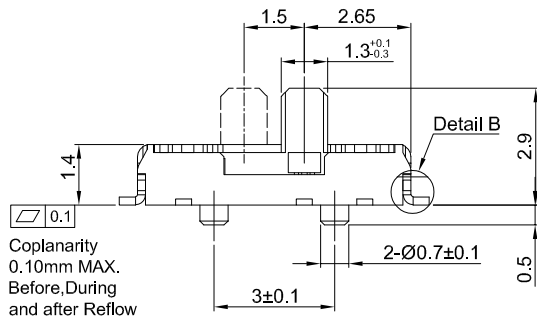
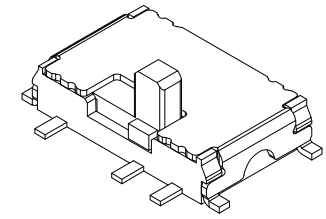
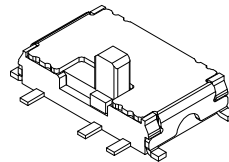


PCB REFERENCE DIAGRAM  
TOLERANCE:±0.05



CIRCUIT DIAGRAM



## MK-22 C03 A-GXXX-X LX

<b>Circuit</b> 22=2P2T	<b>Detail</b> A=With column	<b>MS:Vertical</b>	<b>G-Switch P/N</b>	<b>Switch Height(mm)</b> G015=1.5	<b>Operating Force</b> A=200±100gf	<b>Switch lifetime</b> L01=10,000 Cycles
---------------------------	--------------------------------	--------------------	---------------------	--------------------------------------	---------------------------------------	---

### G-Switch Specification:

1. Operating temperature range: -40°C ~ +85°C
2. Rating: 300mA, 5V DC
3. Insulation resistance: 100MΩ min. 100V DC
4. Dielectric strength: 250V AC for 1 min
5. Contact resistance: 100mΩ max.
6. Terminals arrangement: 2P2T
7. Travel: 1.5±0.1mm
8. Switch lifetime: 10,000Cycles

NO.	PART NAME	MATERIAL	REMARK
6	COVER	C2680	Sn PLATED
5	PLUNGER	HIGH TEMPERATURE PLASTIC	PPA BLACK 94V-0
4	SHRAPNEL	SUS301	--
3	CONTACT	PBS	Au PLATED
2	TERMINAL	C5191	Au PLATED
1	BASE	HIGH TEMPERATURE PLASTIC	LCP BLACK 94V-0



SCALE: 1:1	UNIT: mm	Title: Vertical Mini Slide Switch SMT 6.7×4.1×H1.4mm			
SIZE: A4		Molde Code: MS-22C03A-GXXX-XLX			
Unless otherwise General Tolerance:		DRAWN	CHECKED	APPROVED	DATE
TOLERANCE ON DECIMAL ±0.30		Jiang	Xia	Chen	2025.04.15



REV: A0 SHEET: 1/1