

## GT-TC030X-HXXX-LX

G-Switch

### Operating Force

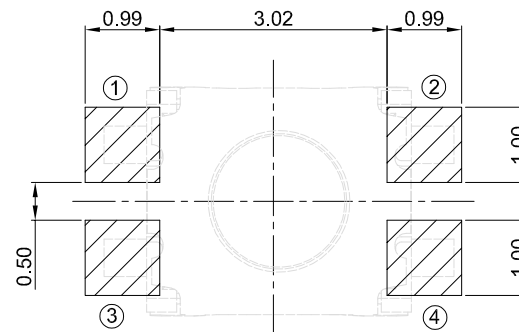
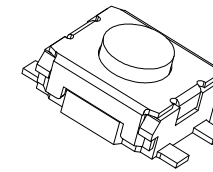
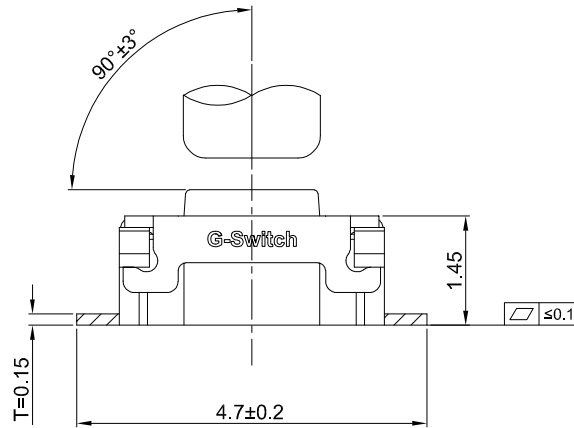
A=160gf  
B=250gf  
C=100gf  
D=400gf

### Switch Height (mm)

H020=2.00 (PPA)  
H022=2.20 (PPA)  
H025=2.50 (PPA)  
H030=3.00 (PPA)  
H040=4.00 (C2680)

**Switch Lifetime**  
L1=100,000 Cycles

Keying Tip Tilt

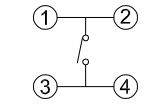


**RECOMMENDED PCB LAYOUT**  
TOLERANCE:±0.05

### G-Switch Specification:

1. Operating temperature range: -40°C ~ +85°C
2. Rating: 50mA, 12V DC
3. Insulation resistance: 100MΩ min, 100V DC
4. Dielectric strength: 250V AC for 1 min
5. Contact resistance: 100mΩ max.
6. Travel: 0.20±0.1mm

5	STEM	PPA/C2680	-
4	COVER	STAINLESS STEEL	Ag PLATING
3	CONTACT	STAINLESS STEEL	Ag PLATING
2	BASE	HIGH TEMPERATURE PLASTIC	BLACK
1	TERMINAL	COPPER ALLOY	Ag PLATING
NO.	PART NAME	MATERIAL	REMARK



CIRCUIT DIAGRAM



SCALE:	UNIT: mm	Title: Vertical Tact Switch Flat 3.5×3.1×Hmm			
SIZE: A4		Molde Code: GT-TC030X-HXXX-LX			
Unless otherwise General Tolerance:		DRAWN	CHECKED	APPROVED	DATE
X.	±0.40	Jiang	Xia	Chen	2025.02.01
X.x	±0.30				
X.xx	±0.20				
X*	±3°				



REV: A0 SHEET: 1/1