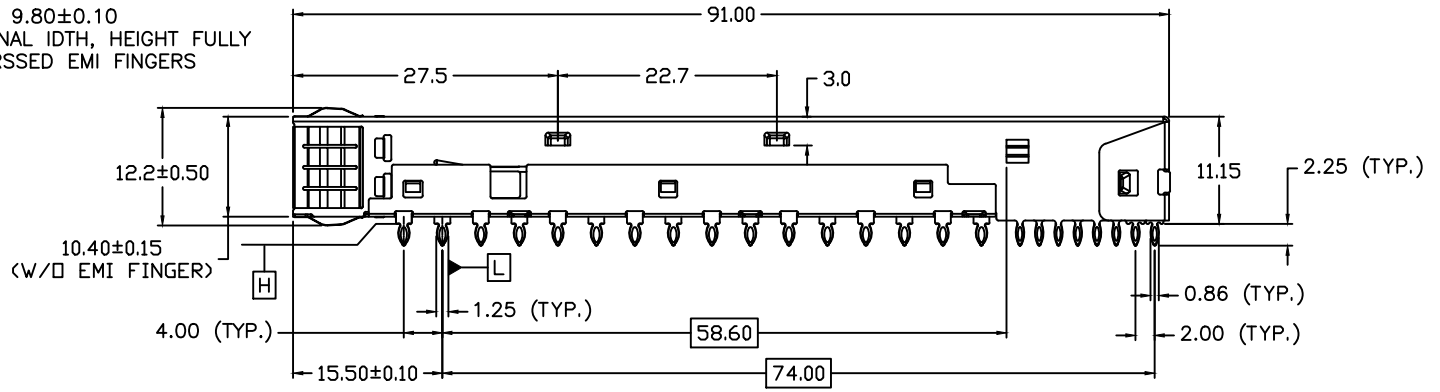
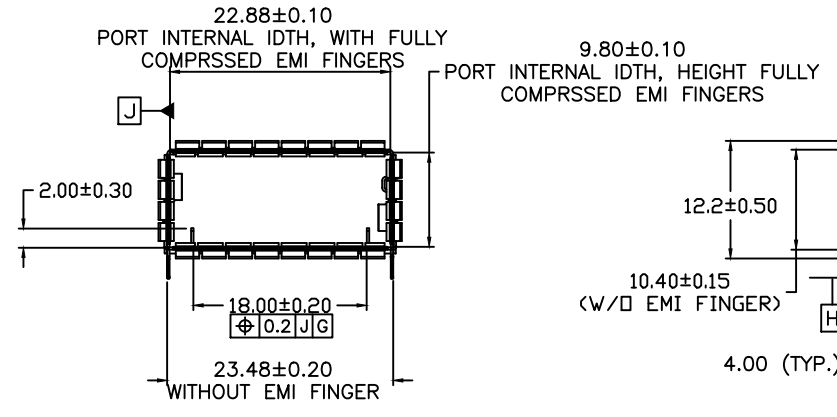
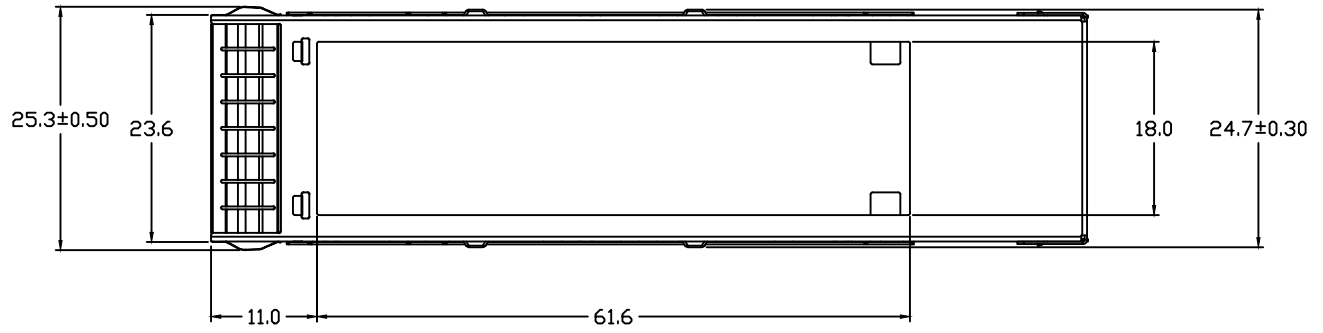
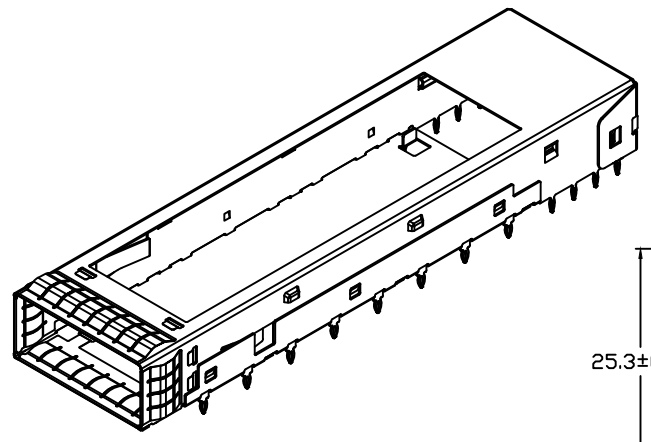
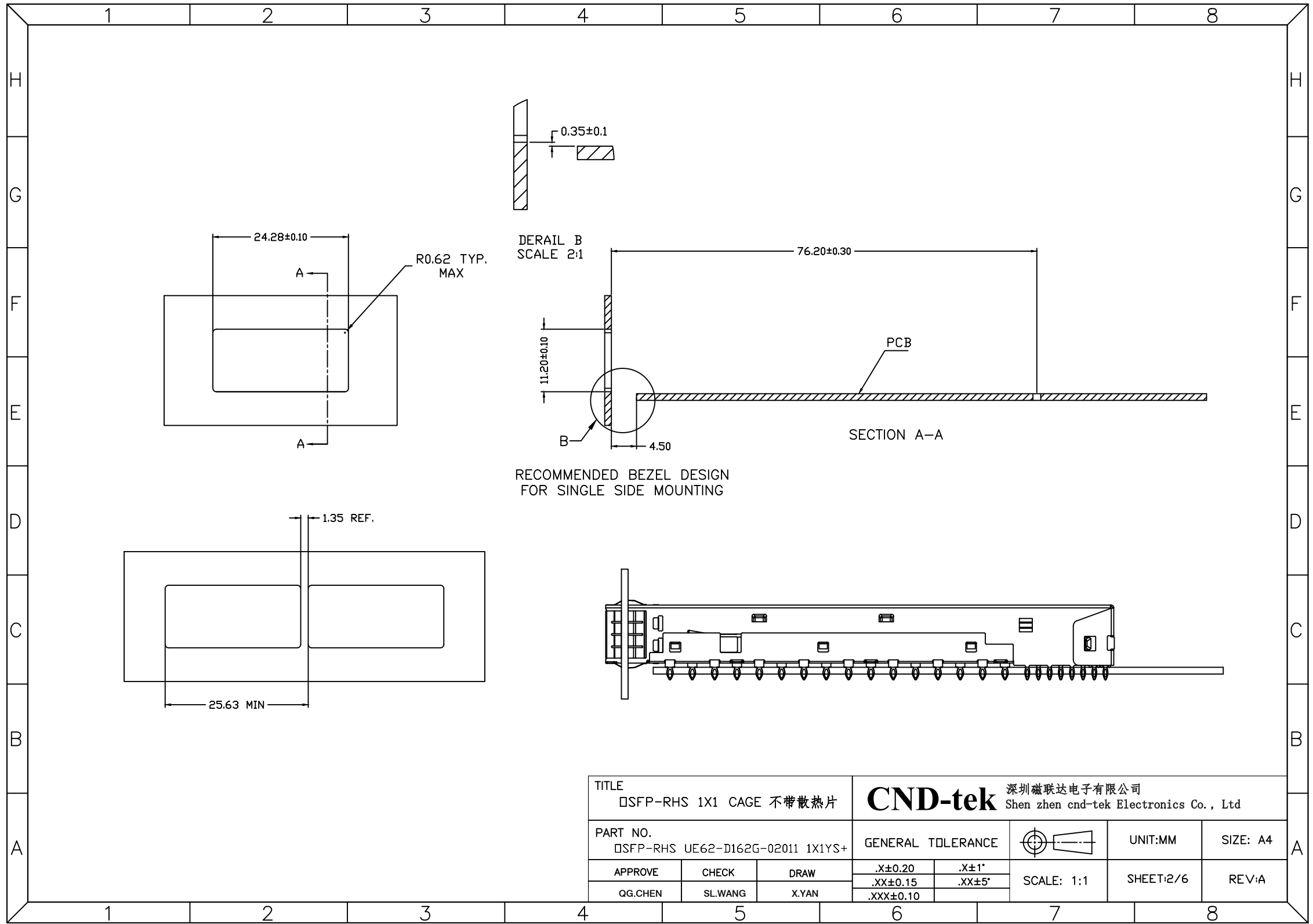


REV	DESCRIPTION OF CHANGE	REVIEWED BY	ISSUE DATE
A	FIRST ISSUE	X.YAN	2025-09-29

NOTES:
 1.MATERIAL:
 CAGE: STAINLESS STEEL,NI PLATED
 2.PACKAGING: TRAY PACKAGING
 3.TEMPERATURE RANGE: -55°C TO +85°C



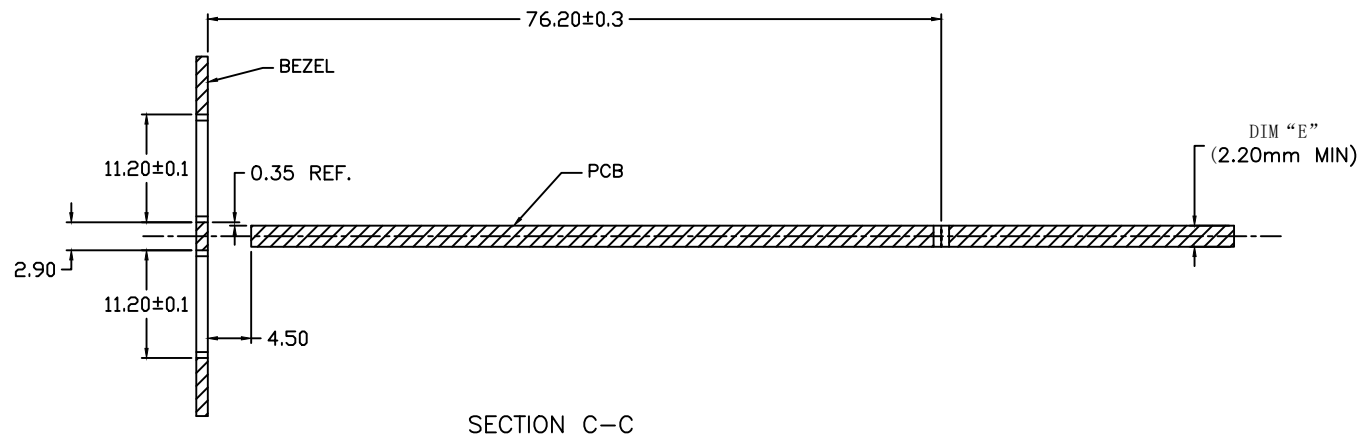
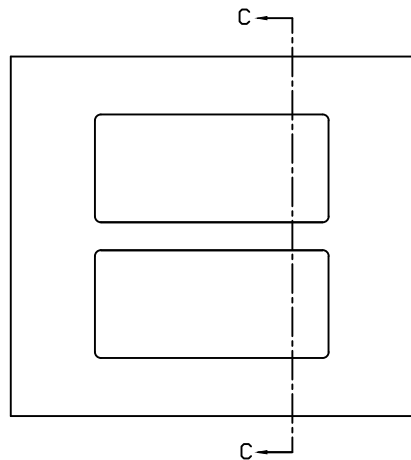
TITLE QSFP-RHS 1X1 CAGE 不带散热片			CND-tek 深圳磁联达电子有限公司 Shen zhen cnd-tek Electronics Co., Ltd			
PART NO. QSFP-RHS UE62-D162G-02011 1X1YS+			GENERAL TOLERANCE		UNIT:MM	SIZE: A4
APPROVE	CHECK	DRAW	.X±0.20	.X±1*	SCALE: 1:1	SHEET:1/6
QG.CHEN	SL.WANG	X.YAN	.XX±0.15	.XX±5*		
			.XXX±0.10			



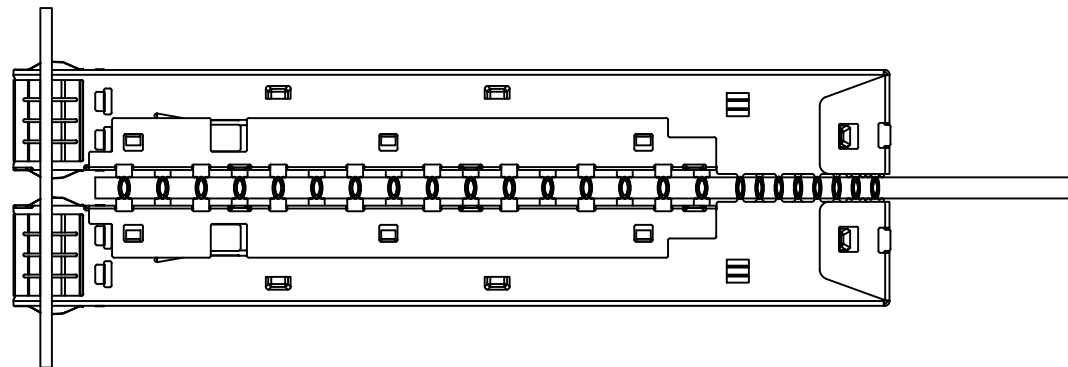
DERAIL B
SCALE 2:1

RECOMMENDED BEZEL DESIGN
FOR SINGLE SIDE MOUNTING

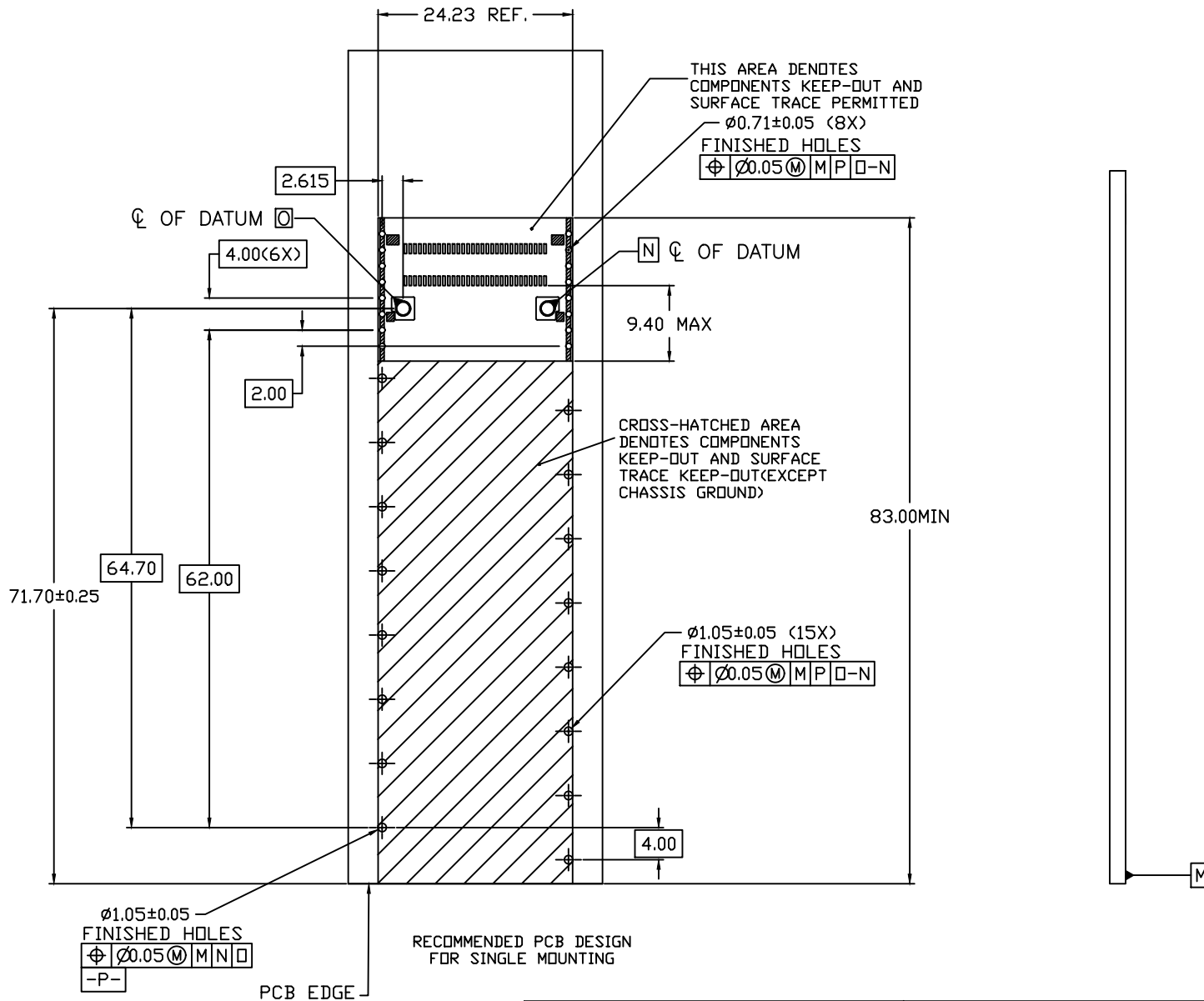
TITLE □SFP-RHS 1X1 CAGE 不带散热片			CND-tek 深圳磁联达电子有限公司 Shen zhen cnd-tek Electronics Co., Ltd				
PART NO. □SFP-RHS UE62-D162G-02011 1X1Y5+			GENERAL TOLERANCE		UNIT:MM	SIZE: A4	
APPROVE	CHECK	DRAW	.X±0.20	.X±1°	SCALE: 1:1	SHEET:2/6	
QG.CHEN	SL.WANG	X.YAN	.XX±0.15	.XX±5'			REV:A
			.XXX±0.10				



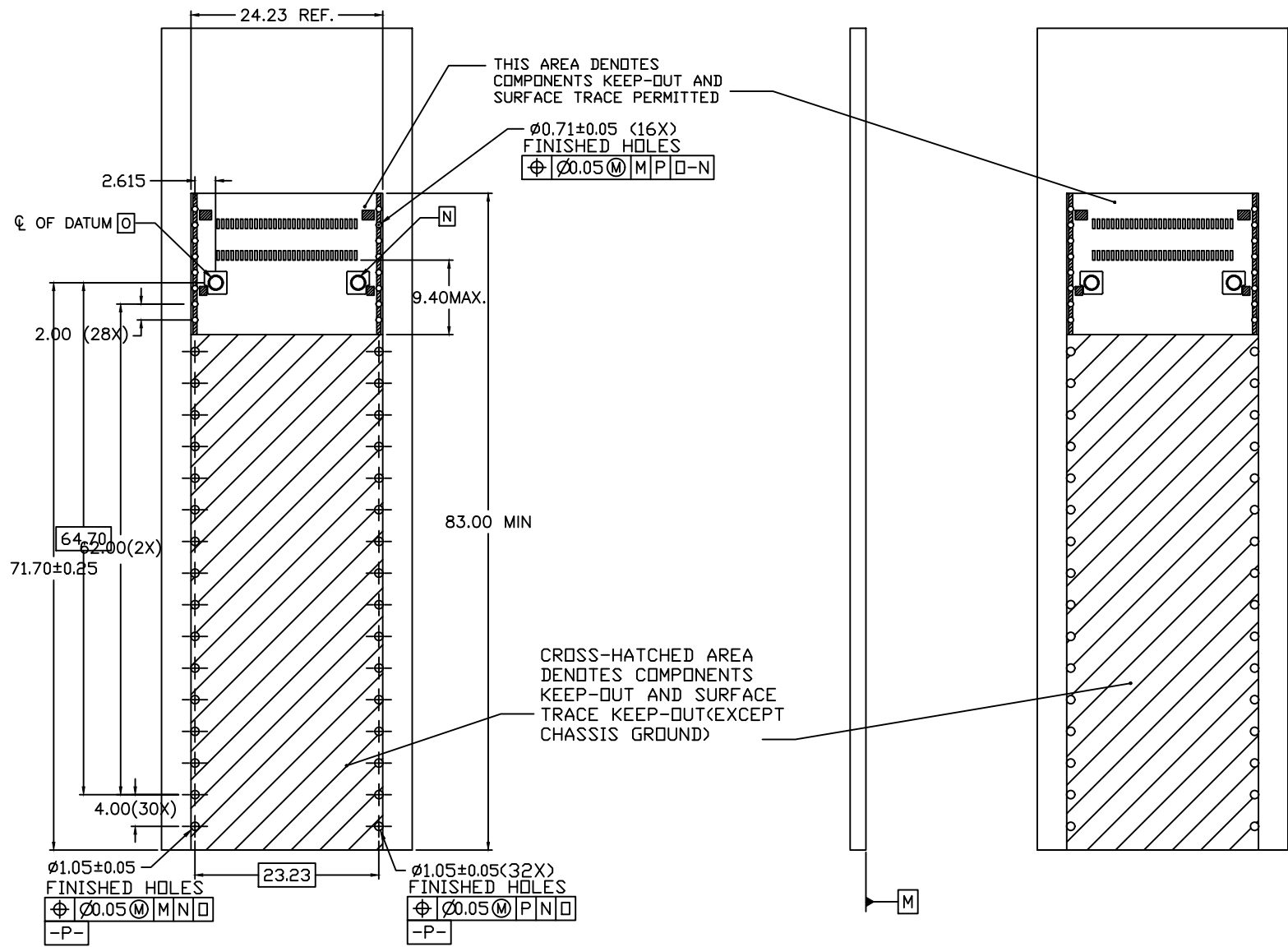
RECOMMENDED BEZEL DESIGN
(BELLY TO BELLY CAGE MOUNTING)



TITLE QSFP-RHS 1X1 CAGE 不带散热片			CND-tek 深圳磁联达电子有限公司 Shen zhen cnd-tek Electronics Co., Ltd				
PART NO. QSFP-RHS UE62-D162G-02011 1X1YS+			GENERAL TOLERANCE		UNIT:MM	SIZE: A4	
APPROVE	CHECK	DRAW	.X±0.20	.X±1°	SCALE: 1:1	SHEET:3/6	
Q.G.CHEN	SL.WANG	X.YAN	.XX±0.15	.XX±5'			REV:A
			.XXX±0.10				

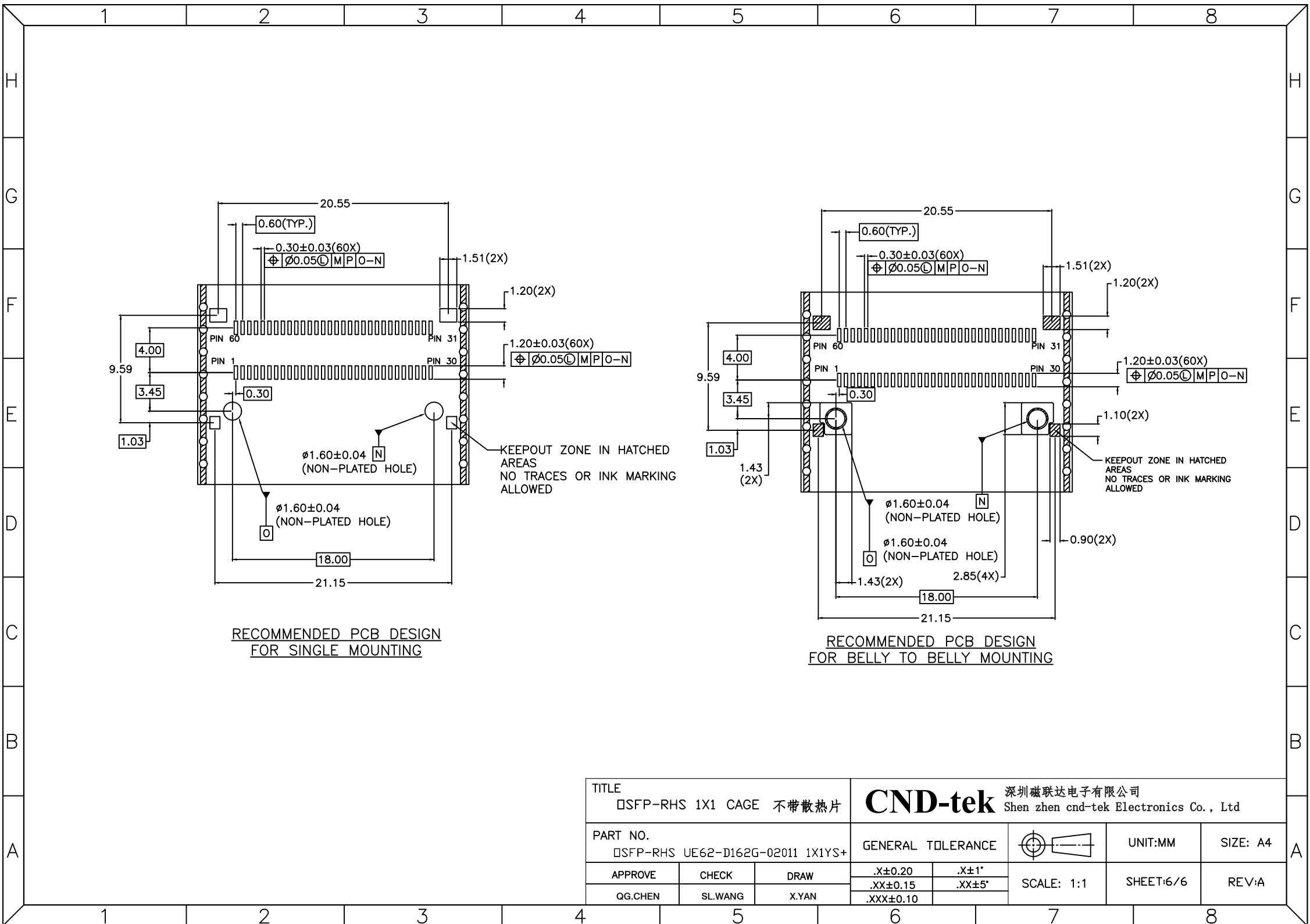


TITLE □SFP-RHS 1X1 CAGE 不帶散熱片			CND-tek 深圳磁联达电子有限公司 Shen zhen cnd-tek Electronics Co., Ltd			
PART NO. □SFP-RHS UE62-D162G-02011 1X1YS+			GENERAL TOLERANCE		UNIT:MM	SIZE: A4
APPROVE	CHECK	DRAW	.X±0.20	.X±1*	SCALE: 1:1	SHEET:4/6
QG.CHEN	SL.WANG	X.YAN	.XX±0.15	.XX±5*		
			.XXX±0.10			



RECOMMENDED PCB DESIGN
FOR BELLY TO BELLY MOUNTING

TITLE □SFP-RHS 1X1 CAGE 不带散热片			CND-tek 深圳磁联达电子有限公司 Shen zhen cnd-tek Electronics Co., Ltd			
PART NO. □SFP-RHS UE62-D162G-02011 1X1YS+			GENERAL TOLERANCE		UNIT:MM	SIZE: A4
APPROVE	CHECK	DRAW	.X±0.20	.X±1*	SCALE: 1:1	SHEET:5/6
QG.CHEN	SL.WANG	X.YAN	.XX±0.15	.XX±5*		
			.XXX±0.10			



RECOMMENDED PCB DESIGN FOR SINGLE MOUNTING

RECOMMENDED PCB DESIGN FOR BELLY TO BELLY MOUNTING

TITLE □SFP-RHS 1X1 CAGE 不带散热片			CND-tek 深圳磁联达电子有限公司 Shen zhen cnd-tek Electronics Co., Ltd			
PART NO. □SFP-RHS UE62-D162G-02011 1X1YS+			GENERAL TOLERANCE		UNIT:MM	SIZE: A4
APPROVE	CHECK	DRAW	.X±0.20	.X±1*	SCALE: 1:1	SHEET:6/6
QG.CHEN	SL.WANG	X.YAN	.XX±0.15	.XX±5*		
			.XXX±0.10			