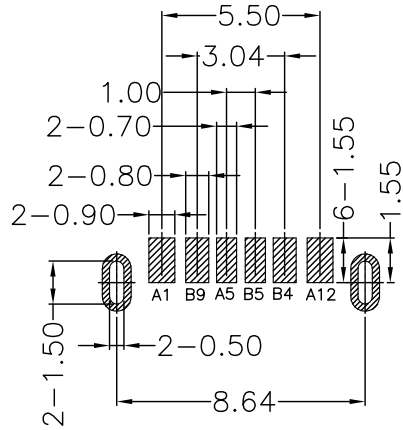
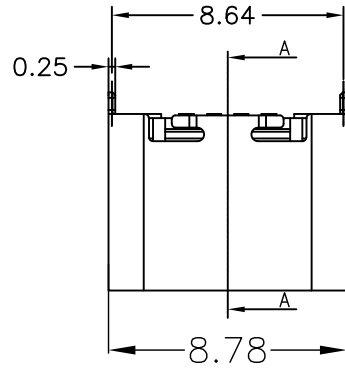
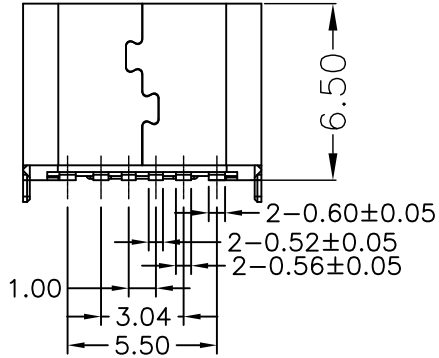
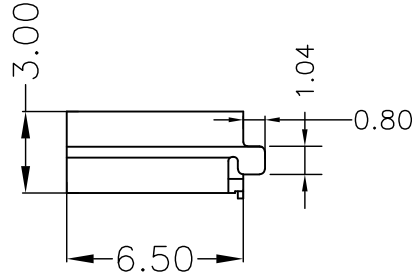
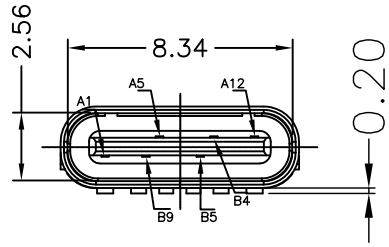


RoHS Compliant



PIN ASSIGNMENTS

A1	GND	B9	VBUS
A5	CC1	B5	CC2
A12	GND	B4	VBUS
PIN	SIGNAL NAME	PIN	SIGNAL NAME

NO.	NAME	DESCRIPTION
1	SHELL	Stainless Steel
2	INSULATOR	HIGH TEMPERATURE PLASTIC UL 94 V-0
3	CONTACT	COPPER ALLOY

RECOMMEND P.C.B LAYOUT(COMPONENT SIDE)
TOLERANCE FOR PCB LAYOUT IS ± 0.05

深圳市敏连达科技有限公司 Shenzhen Minlianda Technology Co.,Ltd.		品名 (ITEM NO)	USB TYPE C 母座6P 立贴6.5H		
		料号 (PART NO)	MLD-TYPE-C-6P-H6.5		
单位 (UNIT): MM	未注公差 TOLERANCE UNSPECIFIED	版次 (REV): A/0	页次 (PAGE): 1/1	设计 (DESIGN)	柯南
比例 (SCALE) 1:1	X.X ± 0.38 X.XX ± 0.20 X.XXX ± 0.10 X ± 5° X.X' ± 2'	模号 (MODEL NO)	审核 (CHECKED) 邱敏		
		图号 (DWG NO)	MLD-2509031032	核准 (APPROVED) 陈镇	