

1

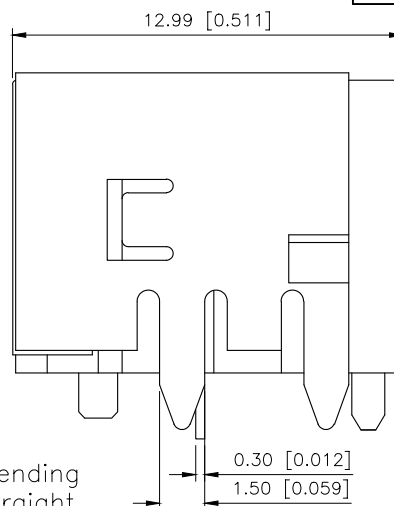
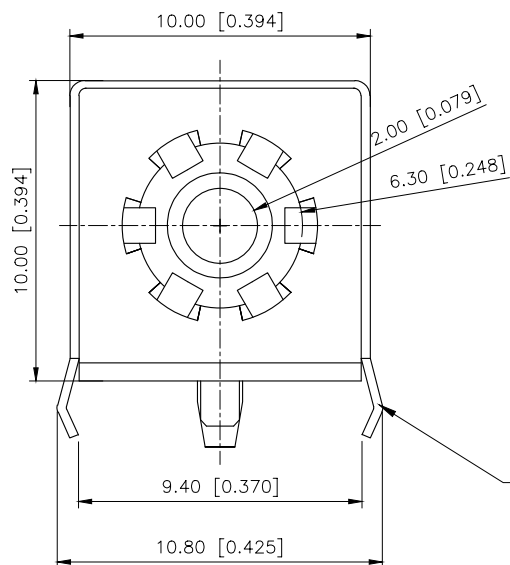
2

3

4

## REVISIONS

REV.	ECN NO.	LOCATION	DESCRIPTION	DATE	DESIGN
A0	N/A		INITIAL RELEASE	/	/
A1	N/A		图面升级整理图面	2025.06.13	阿树

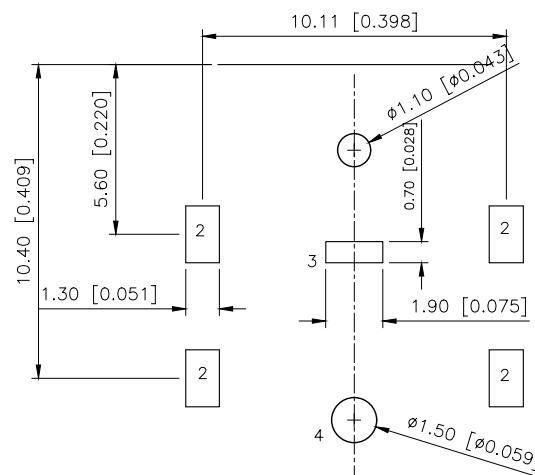
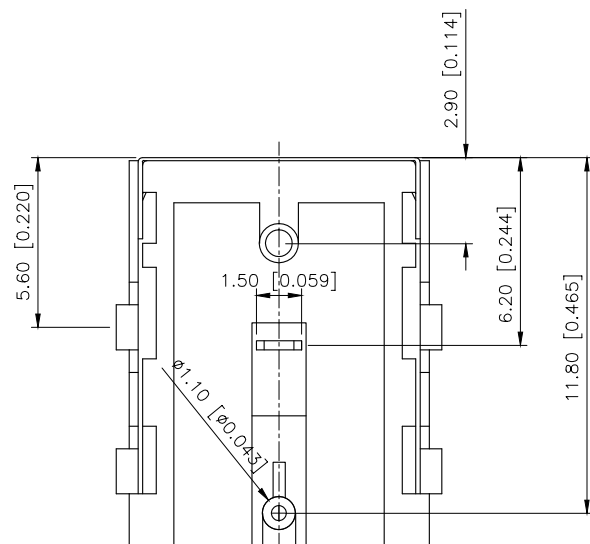


W: Bending  
Z: Straight

## NOTES:

Rated electrical load: DC 24V/8A  
Contact resistance:  $\leq 30m\Omega$   
Insulation resistance:  $\geq 100M\Omega$   
Voltage resistance: AC500V(50Hz)/min  
Insertion and extraction force: 3-25N  
Operating temperature:  $-40^{\circ}C \sim 105^{\circ}C$   
Service life: 5000次

SCHEMATIC	
Model	DC-042C
Center Pin	$\varnothing 2.0$ mm
	$\varnothing 2.5$ mm



axis support	Brass	silver
center pin	Brass	silver
plastic	PBT	
terminal 1	Brass	silver
terminal 2	Phosphor Bronze	silver
terminal 3	Brass	silver
NAME	MATERIAL	PLATED

AuGLAR	$\pm 5^{\circ}$
X.	$\pm 0.40$
X.x	$\pm 0.30$
X.xx	$\pm 0.20$
X.xxx	$\pm 0.15$
UNSPECIFIED TOLERANCES	

**XKKB** 星城  
Connection

DESIGN	阿树	VIEW:	MODEL TYPE: DC POWER JACK
CHECKED		UNIT: mm/in	PART NO.: DC-042C-W-2.0
APPROVED		SIZE: A4	DWG NO.: DC-042C-W-2.0

1

2

3

4