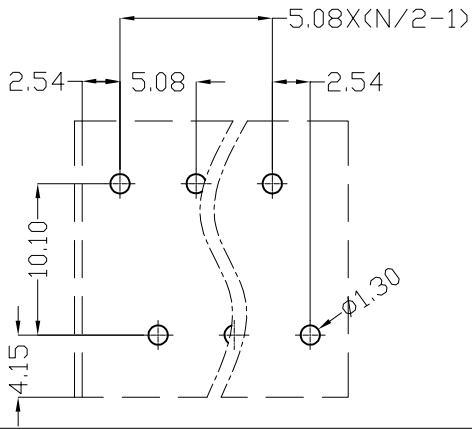


未注公差/General tolerances(mm)													D 0.1/10
0	>3	>10	>18	>30	>50	>80	>120	>180	>250	>315	>400	>500	
~3	~6	~18	~30	~50	~80	~120	~180	~250	~315	~400	~500	~500	
±0.12	±0.18	±0.26	±0.31	±0.37	±0.57	±0.80	±0.93	±1.05	±1.15	±1.60	±2.20	±2.50	

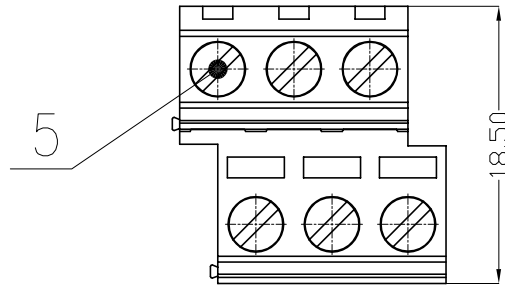
REV	ECN	DESCRIPTION	DRFT	DATE

A

PCB LAYOUT



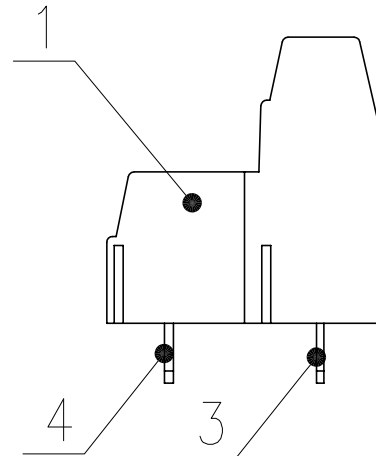
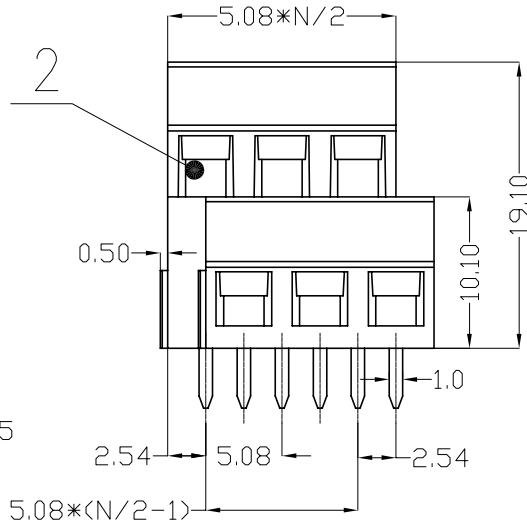
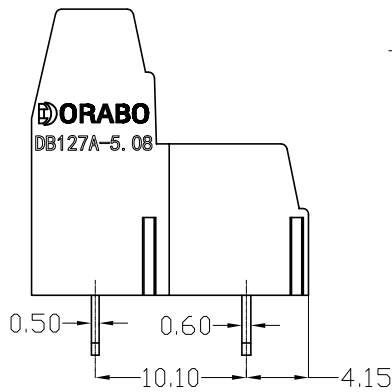
B



DB127A 5.08 XXP C S/P
 (Series No.) (Pitch) (Poles) Slotted/Phillips

(Color):GN:(Green), BK:(Black), BU:(Blue), RD:(Red), GY:(Gray)
 OG:(Orange), WT:(White), YL:(Yellow), CR:(Clear)

C



ITEM	NAME OF PART	MATERIAL	NOTES
5	Screw	Steel	M3/Zn Plated
4	Pin Header 2	Copper Alloy	Sn Plated
3	Pin Header 1	Copper Alloy	Sn Plated
2	Cage	Copper Alloy	M3/Ni Plated
1	Housing	PA66	UL94V-0

JL 标准/UL Standard:	B	C	D
额定电压/电流/Rated Voltage(V)/Current(A)	300/12	/	300/10
IEC 标准/IEC Standard:			
过压类别/Overvoltage Category/污染等	/	III/2	/
级/Pollution Degree			
额定电压/电流/Rated Voltage(V)/Current(A)	/	250/15	/
工频耐压/Withstanding Voltage(KV/min)		AC2000	
螺丝扭矩/Torque Tightening(N·m/Lb.in)		M3,0.5/4.43	
线径范围(硬线和软线)/Wire Range(rigid and flexible)(mm ² /AWG)		0.5~1.5/26~14	
间距/Pitch(mm)/线数范围/Poles	5.08/N=04~48P		
剥线长度/Stripping length(mm)	6~7		
使用温度范围/Operating temperature(°C)	-40~+105		
符合RoHS环保要求/Conform to RoHS	Yes		
标准颜色编号/Standard color number:	/		
PANTONE / RAL			

MAT NO.:	/	宁波地博电气有限公司 NINGBO DORABO ELECTRICAL CO., LTD	NAME:	DB127A-5.08-XXP-C-S	
STATUS:	/				
APPD: HQ	2024.10.14				
CHKD: HQ	2024.10.14				
DRFT: HQ	2024.10.14	DRAWING	/	REV	M1
SIZE	A4	TYPE: CUSTOMER_DRAWING	SCALE: 1:1	SHEET 1/1	