

## DS - S A001A-H036-L1 A

**Detector Switch**

**Installation**  
S=SMT

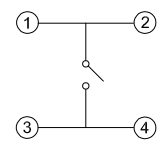
**Structure**  
A=Shrapnel contact

**Operating Force**  
A=30±20gf

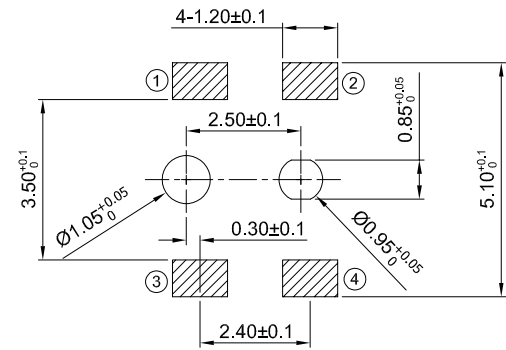
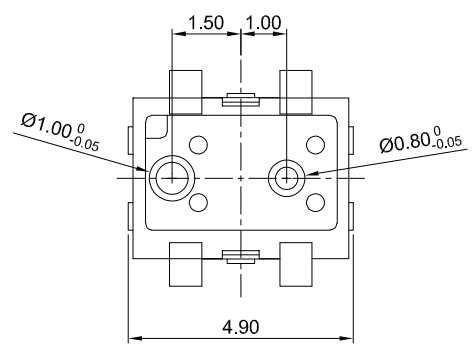
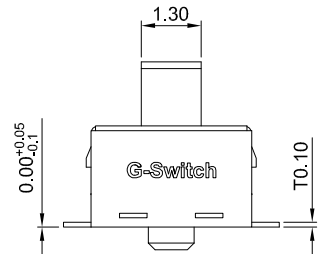
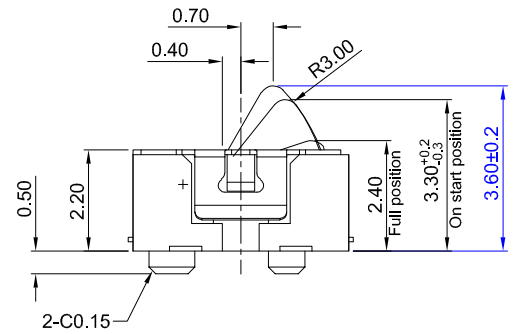
**Switch Height(mm)**  
H036=3.6 Push white  
H038=3.8 Push grey

**Switch Lifetime**  
L1=100,000 Cycles

**Detail**  
A=With Pilot  
N=Non Pilot



**CIRCUIT DIAGRAM**



**RECOMMENDED PCB LAYOUT**  
TOLERANCE:±0.05

**G-Switch Specification:**

1. Operating temperature range: -40°C ~ +85°C
2. Rating: 50mA, 12V DC
3. Insulation resistance: 50MΩ min, 100V DC
4. Dielectric strength: 250V AC for 1 min
5. Contact resistance: 1000mΩ max.
6. Travel: 0.30<sup>+0.3</sup><sub>-0.2</sub>mm

5	PUSH	LCP	WHITE
4	COVER	STAINLESS STEEL301	CLEAN
3	CONTACT	STAINLESS STEEL301	Au1u" PLATING
2	TERMINAL	C5210	Ag15u" PLATING
1	BASE	PA9T	BLACK
NO.	PART NAME	MATERIAL	REMARK



SCALE: 1:1 UNIT: mm  
SIZE: A4

Unless otherwise General Tolerance:  
X. ±0.40  
X.x ±0.30  
X.xx ±0.20  
X\* ±3°

Title: Vertical Detector Switch  
SMT 4.7×3.5×H3.6mm

Molde Code: DS-SA001A-H036-L1A

DRAWN	CHECKED	APPROVED	DATE
Xia	Chen	Chen	2024.03.10



REV: A0 SHEET: 1/1