

A

B

品赞电子 (东莞) 有限公司

D

E

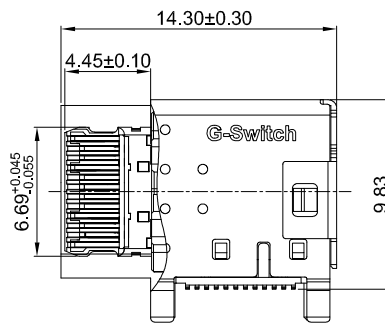
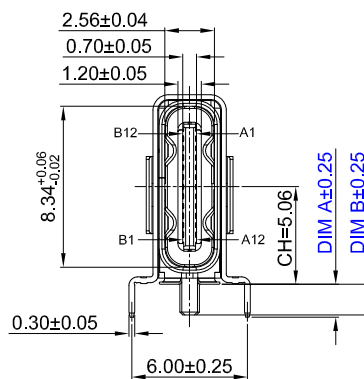
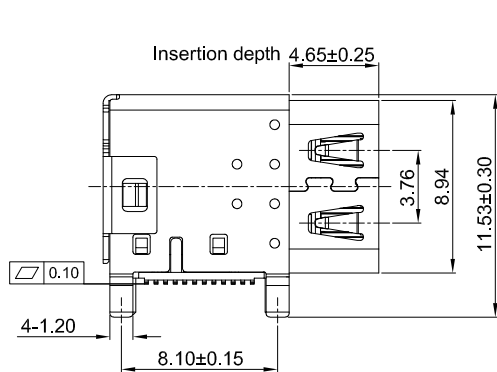
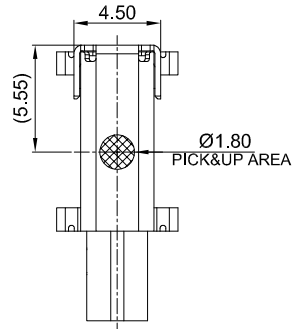
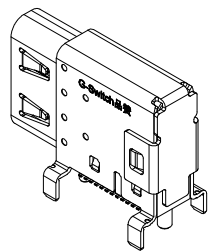
A

B

品赞电子 (东莞) 有限公司

D

E



**G-Switch USB-C Specification:**

- 1.Current rated: 5A on vbus/1.25A on vconn/0.25A on other
- 2.Withstanding voltage: 100V AC/minute
- 3.Contact resistance: 40mΩ Max
- 4.Insulation resistance: 100MΩ Min
- 5.Operating temperature: -40°C ~ +85°C
- 6.Mating force: 5N~20N
- 7.Unmating force: 8N~20N,after durability test: 6N~20N
- 8.Durability cycle:10,000 cycles
- 9.Data transmission rate up to 20Gbps
- 10.Compliant with: IEC62680-1-3

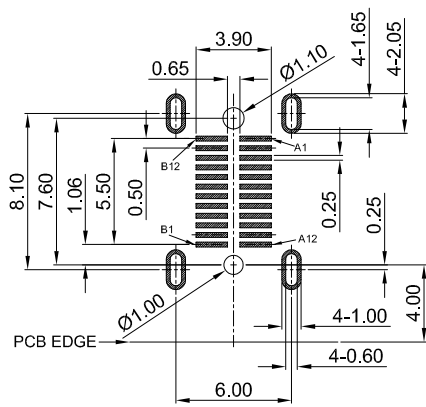
**USB IF TID:13340**

DIM A	DIM B	CONTACT AREA	MOLDE CODE
1.71	1.60	G/F	GT-USB-9092A-01
		Au3u"	GT-USB-9092A-03
		Au5u"	GT-USB-9092A-05
		Au15u"	GT-USB-9092A-15
		Au30u"	GT-USB-9092A-30
1.10	1.10	G/F	GT-USB-9092AB-01
		Au3u"	GT-USB-9092AB-03
		Au5u"	GT-USB-9092AB-05
		Au15u"	GT-USB-9092AB-15
		Au30u"	GT-USB-9092AB-30
0.90	0.80	G/F	GT-USB-9092AC-01
		Au3u"	GT-USB-9092AC-03
		Au5u"	GT-USB-9092AC-05
		Au15u"	GT-USB-9092AC-15
		Au30u"	GT-USB-9092AC-30

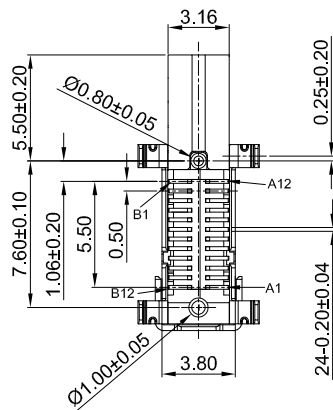
A1	A2	A3	A4	A5	A6	A7	A8	A9	A10	A11	A12
GND	TX1+	TX1-	VBUS	CC1	D+	D-	SBU1	VBUS	RX2-	RX2+	GND
First	Second	Second	First	Second	Second	Second	Second	First	Second	Second	First

B12	B11	B10	B9	B8	B7	B6	B5	B4	B3	B2	B1
GND	RX1+	RX1-	VBUS	SBU2	D-	D+	CC2	VBUS	TX2-	TX2+	GND
First	Second	Second	First	Second	Second	Second	Second	First	Second	Second	First



PCB REFERENCE DIAGRAM  
TOLERANCE:±0.05



NO.	PARTS	MATERIAL	REMARKS
1	COVER SHELL	STAINLESS STEEL 304	Ni50u" MIN PLATED
2	SHELL	STAINLESS STEEL 304	Ni50u" MIN PLATED
3	MID PLATE	STAINLESS STEEL 301	Ni30u" MIN PLATED
4	HOUSING	LCP	BLACK UL 94 V-0
5	TERMINALS	COPPER ALLOY C18140	Au PLATED ON CONTACT AREA G/F PLATED ON SOLDER AREA



SCALE: 1:1 UNIT: mm  
SIZE: A4

Unless otherwise General Tolerance:  
X. ±0.40  
X.x ±0.30  
X.xx ±0.20  
X.xxx ±0.10  
X" ±5°

Title: Flag Type-C 24P Female  
SMT CH=5.06 L=14.3mm

Molde Code: GT-USB-9092AX-XX

DRAWN	CHECKED	APPROVED	DATE
Wu	Xia	Chen	2025.02.02



REV: A0 SHEET: 1/1