

Inductors for high frequency circuits
Multilayer ceramic
MLG series



MLG1005S type



FEATURES

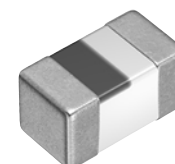
- Advanced monolithic structure is formed using a multilayering and sintering process with ceramic and conductive materials for high-frequency.
- Operating temperature range: -55 to +125°C

APPLICATION

- Smart phones, tablet terminals, high frequency modules, Bluetooth, W-LAN, UWB, tuners and other high frequency circuits for the mobile communication industry
- Application guides: [Smart phones/tablets](#)

PART NUMBER CONSTRUCTION

| | | | | | | |
|-------------|------------------------------------|-----------------------|-----------------|----------------------|-----------------|---------------|
| MLG | 1005 | S | 0N3 | B | T | 000 |
| Series name | LxWxH dimensions 1.0x0.5x0.5 mm | Product internal code | Inductance (nH) | Inductance tolerance | Packaging style | Internal code |



MLG1005S type

CHARACTERISTICS SPECIFICATION TABLE

| L (nH) | Q Tolerance | Q min. | L, Q measuring frequency (MHz) | Self-resonant frequency | | DC resistance | | Rated current (mA)max. | Part No.* |
|-----------|----------------|-----------|--------------------------------------|----------------------------|-----------|------------------|------------------|---------------------------|----------------------------------|
| | | | | (GHz)min. | (GHz)typ. | (Ω)max. | (Ω)typ. | | |
| 0.3 | ± 0.1 nH | — | 100 | 10.0 | 20up | 0.10 | 0.01 | 1000 | MLG1005S0N3BT000 |
| 0.3 | ± 0.2 nH | — | 100 | 10.0 | 20up | 0.10 | 0.01 | 1000 | MLG1005S0N3CT000 |
| 0.4 | ± 0.1 nH | — | 100 | 10.0 | 20up | 0.10 | 0.01 | 1000 | MLG1005S0N4BT000 |
| 0.4 | ± 0.2 nH | — | 100 | 10.0 | 20up | 0.10 | 0.01 | 1000 | MLG1005S0N4CT000 |
| 0.5 | ± 0.1 nH | — | 100 | 10.0 | 20up | 0.10 | 0.01 | 1000 | MLG1005S0N5BT000 |
| 0.5 | ± 0.2 nH | — | 100 | 10.0 | 20up | 0.10 | 0.01 | 1000 | MLG1005S0N5CT000 |
| 0.6 | ± 0.1 nH | — | 100 | 10.0 | 20up | 0.10 | 0.01 | 1000 | MLG1005S0N6BT000 |
| 0.6 | ± 0.2 nH | — | 100 | 10.0 | 20up | 0.10 | 0.01 | 1000 | MLG1005S0N6CT000 |
| 0.7 | ± 0.1 nH | — | 100 | 10.0 | 18.7 | 0.10 | 0.02 | 1000 | MLG1005S0N7BT000 |
| 0.7 | ± 0.2 nH | — | 100 | 10.0 | 18.7 | 0.10 | 0.02 | 1000 | MLG1005S0N7CT000 |
| 0.8 | ± 0.1 nH | — | 100 | 10.0 | 16.4 | 0.10 | 0.02 | 1000 | MLG1005S0N8BT000 |
| 0.8 | ± 0.2 nH | — | 100 | 10.0 | 16.4 | 0.10 | 0.02 | 1000 | MLG1005S0N8CT000 |
| 0.9 | ± 0.1 nH | — | 100 | 10.0 | 17.7 | 0.10 | 0.04 | 1000 | MLG1005S0N9BT000 |
| 0.9 | ± 0.2 nH | — | 100 | 10.0 | 17.7 | 0.10 | 0.04 | 1000 | MLG1005S0N9CT000 |
| 1.0 | ± 0.1 nH | 7 | 100 | 10.0 | 13.8 | 0.10 | 0.04 | 1000 | MLG1005S1N0BT000 |
| 1.0 | ± 0.2 nH | 7 | 100 | 10.0 | 13.8 | 0.10 | 0.04 | 1000 | MLG1005S1N0CT000 |
| 1.0 | ± 0.3 nH | 7 | 100 | 10.0 | 13.8 | 0.10 | 0.04 | 1000 | MLG1005S1N0ST000 |
| 1.1 | ± 0.1 nH | 7 | 100 | 10.0 | 19.3 | 0.10 | 0.03 | 1000 | MLG1005S1N1BT000 |
| 1.1 | ± 0.2 nH | 7 | 100 | 10.0 | 19.3 | 0.10 | 0.03 | 1000 | MLG1005S1N1CT000 |
| 1.1 | ± 0.3 nH | 7 | 100 | 10.0 | 19.3 | 0.10 | 0.03 | 1000 | MLG1005S1N1ST000 |
| 1.2 | ± 0.1 nH | 7 | 100 | 10.0 | 11.6 | 0.10 | 0.04 | 1000 | MLG1005S1N2BT000 |
| 1.2 | ± 0.2 nH | 7 | 100 | 10.0 | 11.6 | 0.10 | 0.04 | 1000 | MLG1005S1N2CT000 |
| 1.2 | ± 0.3 nH | 7 | 100 | 10.0 | 11.6 | 0.10 | 0.04 | 1000 | MLG1005S1N2ST000 |
| 1.3 | ± 0.1 nH | 7 | 100 | 8.0 | 11.7 | 0.10 | 0.04 | 1000 | MLG1005S1N3BT000 |
| 1.3 | ± 0.2 nH | 7 | 100 | 8.0 | 11.7 | 0.10 | 0.04 | 1000 | MLG1005S1N3CT000 |
| 1.3 | ± 0.3 nH | 7 | 100 | 8.0 | 11.7 | 0.10 | 0.04 | 1000 | MLG1005S1N3ST000 |
| 1.5 | ± 0.1 nH | 7 | 100 | 8.0 | 9.6 | 0.10 | 0.06 | 1000 | MLG1005S1N5BT000 |
| 1.5 | ± 0.2 nH | 7 | 100 | 8.0 | 9.6 | 0.10 | 0.06 | 1000 | MLG1005S1N5CT000 |
| 1.5 | ± 0.3 nH | 7 | 100 | 8.0 | 9.6 | 0.10 | 0.06 | 1000 | MLG1005S1N5ST000 |
| 1.6 | ± 0.1 nH | 7 | 100 | 7.5 | 9.4 | 0.12 | 0.05 | 1000 | MLG1005S1N6BT000 |
| 1.6 | ± 0.2 nH | 7 | 100 | 7.5 | 9.4 | 0.12 | 0.05 | 1000 | MLG1005S1N6CT000 |
| 1.6 | ± 0.3 nH | 7 | 100 | 7.5 | 9.4 | 0.12 | 0.05 | 1000 | MLG1005S1N6ST000 |
| 1.8 | ± 0.1 nH | 7 | 100 | 8.0 | 10.3 | 0.15 | 0.06 | 900 | MLG1005S1N8BT000 |
| 1.8 | ± 0.2 nH | 7 | 100 | 8.0 | 10.3 | 0.15 | 0.06 | 900 | MLG1005S1N8CT000 |
| 1.8 | ± 0.3 nH | 7 | 100 | 8.0 | 10.3 | 0.15 | 0.06 | 900 | MLG1005S1N8ST000 |
| 2.0 | ± 0.1 nH | 7 | 100 | 7.5 | 9.3 | 0.15 | 0.07 | 900 | MLG1005S2N0BT000 |
| 2.0 | ± 0.2 nH | 7 | 100 | 7.5 | 9.3 | 0.15 | 0.07 | 900 | MLG1005S2N0CT000 |
| 2.0 | ± 0.3 nH | 7 | 100 | 7.5 | 9.3 | 0.15 | 0.07 | 900 | MLG1005S2N0ST000 |
| 2.2 | ± 0.1 nH | 7 | 100 | 7.0 | 8.6 | 0.15 | 0.08 | 900 | MLG1005S2N2BT000 |
| 2.2 | ± 0.2 nH | 7 | 100 | 7.0 | 8.6 | 0.15 | 0.08 | 900 | MLG1005S2N2CT000 |
| 2.2 | ± 0.3 nH | 7 | 100 | 7.0 | 8.6 | 0.15 | 0.08 | 900 | MLG1005S2N2ST000 |
| 2.4 | ± 0.1 nH | 7 | 100 | 7.0 | 8.2 | 0.15 | 0.08 | 800 | MLG1005S2N4BT000 |
| 2.4 | ± 0.2 nH | 7 | 100 | 7.0 | 8.2 | 0.15 | 0.08 | 800 | MLG1005S2N4CT000 |
| 2.4 | ± 0.3 nH | 7 | 100 | 7.0 | 8.2 | 0.15 | 0.08 | 800 | MLG1005S2N4ST000 |
| 2.7 | ± 0.1 nH | 7 | 100 | 6.0 | 7.3 | 0.15 | 0.08 | 800 | MLG1005S2N7BT000 |
| 2.7 | ± 0.2 nH | 7 | 100 | 6.0 | 7.3 | 0.15 | 0.08 | 800 | MLG1005S2N7CT000 |
| 2.7 | ± 0.3 nH | 7 | 100 | 6.0 | 7.3 | 0.15 | 0.08 | 800 | MLG1005S2N7ST000 |

* Please contact us for information on inductance tolerance, G ($\pm 2\%$).

Measurement equipment

| Measurement item | Product No. | Manufacturer |
|-------------------------|---------------|-----------------------|
| L, Q | 4291B +16193A | Keysight Technologies |
| Self-resonant frequency | 8720C | Keysight Technologies |
| DC resistance | Type-7561 | Yokogawa |

* Equivalent measurement equipment may be used.

MLG1005S type

CHARACTERISTICS SPECIFICATION TABLE

| L (nH) | Q Tolerance | Q min. | L, Q measuring frequency (MHz) | Self-resonant frequency | | DC resistance | | Rated current (mA)max. | Part No.* |
|-----------|----------------|-----------|--------------------------------------|----------------------------|-----------|------------------|------------------|---------------------------|----------------------------------|
| | | | | (GHz)min. | (GHz)typ. | (Ω)max. | (Ω)typ. | | |
| 3.0 | ± 0.1 nH | 7 | 100 | 5.5 | 6.8 | 0.2 | 0.09 | 800 | MLG1005S3N0BT000 |
| 3.0 | ± 0.2 nH | 7 | 100 | 5.5 | 6.8 | 0.20 | 0.09 | 800 | MLG1005S3N0CT000 |
| 3.0 | ± 0.3 nH | 7 | 100 | 5.5 | 6.8 | 0.20 | 0.09 | 800 | MLG1005S3N0ST000 |
| 3.3 | ± 0.1 nH | 8 | 100 | 5.0 | 6.1 | 0.20 | 0.09 | 800 | MLG1005S3N3BT000 |
| 3.3 | ± 0.2 nH | 8 | 100 | 5.0 | 6.1 | 0.20 | 0.09 | 800 | MLG1005S3N3CT000 |
| 3.3 | ± 0.3 nH | 8 | 100 | 5.0 | 6.1 | 0.20 | 0.09 | 800 | MLG1005S3N3ST000 |
| 3.6 | ± 0.1 nH | 8 | 100 | 5.0 | 6.7 | 0.20 | 0.09 | 700 | MLG1005S3N6BT000 |
| 3.6 | ± 0.2 nH | 8 | 100 | 5.0 | 6.7 | 0.20 | 0.09 | 700 | MLG1005S3N6CT000 |
| 3.6 | ± 0.3 nH | 8 | 100 | 5.0 | 6.7 | 0.20 | 0.09 | 700 | MLG1005S3N6ST000 |
| 3.9 | ± 0.1 nH | 8 | 100 | 5.0 | 6.5 | 0.20 | 0.11 | 700 | MLG1005S3N9BT000 |
| 3.9 | ± 0.2 nH | 8 | 100 | 5.0 | 6.5 | 0.20 | 0.11 | 700 | MLG1005S3N9CT000 |
| 3.9 | ± 0.3 nH | 8 | 100 | 5.0 | 6.5 | 0.20 | 0.11 | 700 | MLG1005S3N9ST000 |
| 4.3 | ± 0.2 nH | 8 | 100 | 4.5 | 6.0 | 0.20 | 0.11 | 700 | MLG1005S4N3CT000 |
| 4.3 | ± 0.3 nH | 8 | 100 | 4.5 | 6.0 | 0.20 | 0.11 | 700 | MLG1005S4N3ST000 |
| 4.7 | ± 0.2 nH | 8 | 100 | 4.5 | 5.4 | 0.25 | 0.12 | 700 | MLG1005S4N7CT000 |
| 4.7 | ± 0.3 nH | 8 | 100 | 4.5 | 5.4 | 0.25 | 0.12 | 700 | MLG1005S4N7ST000 |
| 5.1 | ± 0.2 nH | 8 | 100 | 4.0 | 5.0 | 0.25 | 0.13 | 600 | MLG1005S5N1CT000 |
| 5.1 | ± 0.3 nH | 8 | 100 | 4.0 | 5.0 | 0.25 | 0.13 | 600 | MLG1005S5N1ST000 |
| 5.6 | ± 0.2 nH | 8 | 100 | 4.0 | 5.3 | 0.25 | 0.14 | 600 | MLG1005S5N6CT000 |
| 5.6 | ± 0.3 nH | 8 | 100 | 4.0 | 5.3 | 0.25 | 0.14 | 600 | MLG1005S5N6ST000 |
| 6.2 | ± 0.3 nH | 8 | 100 | 4.0 | 4.7 | 0.25 | 0.16 | 600 | MLG1005S6N2ST000 |
| 6.2 | $\pm 3\%$ | 8 | 100 | 4.0 | 4.7 | 0.25 | 0.16 | 600 | MLG1005S6N2HT000 |
| 6.8 | $\pm 3\%$ | 8 | 100 | 3.5 | 4.4 | 0.25 | 0.15 | 600 | MLG1005S6N8HT000 |
| 6.8 | $\pm 5\%$ | 8 | 100 | 3.5 | 4.4 | 0.25 | 0.15 | 600 | MLG1005S6N8JT000 |
| 7.5 | $\pm 3\%$ | 8 | 100 | 3.0 | 4.1 | 0.25 | 0.15 | 500 | MLG1005S7N5HT000 |
| 7.5 | $\pm 5\%$ | 8 | 100 | 3.0 | 4.1 | 0.25 | 0.15 | 500 | MLG1005S7N5JT000 |
| 8.2 | $\pm 3\%$ | 8 | 100 | 3.0 | 4.0 | 0.30 | 0.19 | 500 | MLG1005S8N2HT000 |
| 8.2 | $\pm 5\%$ | 8 | 100 | 3.0 | 4.0 | 0.30 | 0.19 | 500 | MLG1005S8N2JT000 |
| 9.1 | $\pm 3\%$ | 8 | 100 | 3.0 | 3.8 | 0.30 | 0.20 | 500 | MLG1005S9N1HT000 |
| 9.1 | $\pm 5\%$ | 8 | 100 | 3.0 | 3.8 | 0.30 | 0.20 | 500 | MLG1005S9N1JT000 |
| 10 | $\pm 3\%$ | 8 | 100 | 2.5 | 3.4 | 0.35 | 0.22 | 500 | MLG1005S10NJT000 |
| 10 | $\pm 5\%$ | 8 | 100 | 2.5 | 3.4 | 0.35 | 0.22 | 500 | MLG1005S10NJT000 |
| 11 | $\pm 3\%$ | 8 | 100 | 2.5 | 3.5 | 0.40 | 0.28 | 400 | MLG1005S11NHT000 |
| 11 | $\pm 5\%$ | 8 | 100 | 2.5 | 3.5 | 0.40 | 0.28 | 400 | MLG1005S11NJT000 |
| 12 | $\pm 3\%$ | 8 | 100 | 2.5 | 3.0 | 0.40 | 0.25 | 400 | MLG1005S12NHT000 |
| 12 | $\pm 5\%$ | 8 | 100 | 2.5 | 3.0 | 0.40 | 0.25 | 400 | MLG1005S12NJT000 |
| 13 | $\pm 3\%$ | 8 | 100 | 2.4 | 2.9 | 0.50 | 0.26 | 400 | MLG1005S13NHT000 |
| 13 | $\pm 5\%$ | 8 | 100 | 2.4 | 2.9 | 0.50 | 0.26 | 400 | MLG1005S13NJT000 |
| 15 | $\pm 3\%$ | 8 | 100 | 2.2 | 2.8 | 0.55 | 0.35 | 400 | MLG1005S15NHT000 |
| 15 | $\pm 5\%$ | 8 | 100 | 2.2 | 2.8 | 0.55 | 0.35 | 400 | MLG1005S15NJT000 |
| 16 | $\pm 3\%$ | 8 | 100 | 2.1 | 2.7 | 0.55 | 0.32 | 400 | MLG1005S16NHT000 |
| 16 | $\pm 5\%$ | 8 | 100 | 2.1 | 2.7 | 0.55 | 0.32 | 400 | MLG1005S16NJT000 |
| 18 | $\pm 3\%$ | 8 | 100 | 2.0 | 2.5 | 0.60 | 0.40 | 350 | MLG1005S18NHT000 |
| 18 | $\pm 5\%$ | 8 | 100 | 2.0 | 2.5 | 0.60 | 0.40 | 350 | MLG1005S18NJT000 |
| 20 | $\pm 3\%$ | 8 | 100 | 1.9 | 2.4 | 0.60 | 0.38 | 350 | MLG1005S20NHT000 |
| 20 | $\pm 5\%$ | 8 | 100 | 1.9 | 2.4 | 0.60 | 0.38 | 350 | MLG1005S20NJT000 |
| 22 | $\pm 3\%$ | 8 | 100 | 1.7 | 2.2 | 0.70 | 0.46 | 350 | MLG1005S22NHT000 |
| 22 | $\pm 5\%$ | 8 | 100 | 1.7 | 2.2 | 0.70 | 0.46 | 350 | MLG1005S22NJT000 |

* Please contact us for information on inductance tolerance, G ($\pm 2\%$).

Measurement equipment

| Measurement item | Product No. | Manufacturer |
|-------------------------|---------------|-----------------------|
| L, Q | 4291B +16193A | Keysight Technologies |
| Self-resonant frequency | 8720C | Keysight Technologies |
| DC resistance | Type-7561 | Yokogawa |

* Equivalent measurement equipment may be used.

MLG1005S type

CHARACTERISTICS SPECIFICATION TABLE

| L (nH) | Q Tolerance | Q min. | L, Q measuring frequency (MHz) | Self-resonant frequency | | DC resistance | | Rated current (mA)max. | Part No.* |
|-----------|----------------|-----------|--------------------------------------|----------------------------|-----------|------------------|------------------|---------------------------|----------------------------------|
| | | | | (GHz)min. | (GHz)typ. | (Ω)max. | (Ω)typ. | | |
| 24 | $\pm 3\%$ | 8 | 100 | 1.7 | 2.1 | 0.70 | 0.43 | 350 | MLG1005S24NHT000 |
| 24 | $\pm 5\%$ | 8 | 100 | 1.7 | 2.1 | 0.70 | 0.43 | 350 | MLG1005S24NJT000 |
| 27 | $\pm 3\%$ | 8 | 100 | 1.6 | 2.0 | 0.80 | 0.53 | 300 | MLG1005S27NHT000 |
| 27 | $\pm 5\%$ | 8 | 100 | 1.6 | 2.0 | 0.80 | 0.53 | 300 | MLG1005S27NJT000 |
| 30 | $\pm 3\%$ | 8 | 100 | 1.5 | 1.9 | 0.80 | 0.50 | 300 | MLG1005S30NHT000 |
| 30 | $\pm 5\%$ | 8 | 100 | 1.5 | 1.9 | 0.80 | 0.50 | 300 | MLG1005S30NJT000 |
| 33 | $\pm 3\%$ | 8 | 100 | 1.4 | 1.8 | 0.90 | 0.59 | 300 | MLG1005S33NHT000 |
| 33 | $\pm 5\%$ | 8 | 100 | 1.4 | 1.8 | 0.90 | 0.59 | 300 | MLG1005S33NJT000 |
| 36 | $\pm 3\%$ | 8 | 100 | 1.3 | 1.7 | 1.00 | 0.62 | 250 | MLG1005S36NHT000 |
| 36 | $\pm 5\%$ | 8 | 100 | 1.3 | 1.7 | 1.00 | 0.62 | 250 | MLG1005S36NJT000 |
| 39 | $\pm 3\%$ | 8 | 100 | 1.2 | 1.6 | 1.00 | 0.65 | 250 | MLG1005S39NHT000 |
| 39 | $\pm 5\%$ | 8 | 100 | 1.2 | 1.6 | 1.00 | 0.65 | 250 | MLG1005S39NJT000 |
| 43 | $\pm 3\%$ | 8 | 100 | 1.2 | 1.6 | 1.10 | 0.67 | 250 | MLG1005S43NHT000 |
| 43 | $\pm 5\%$ | 8 | 100 | 1.2 | 1.6 | 1.10 | 0.67 | 250 | MLG1005S43NJT000 |
| 47 | $\pm 3\%$ | 8 | 100 | 1.1 | 1.4 | 1.20 | 0.75 | 250 | MLG1005S47NHT000 |
| 47 | $\pm 5\%$ | 8 | 100 | 1.1 | 1.4 | 1.20 | 0.75 | 250 | MLG1005S47NJT000 |
| 51 | $\pm 3\%$ | 8 | 100 | 1.1 | 1.5 | 1.20 | 0.72 | 250 | MLG1005S51NHT000 |
| 51 | $\pm 5\%$ | 8 | 100 | 1.1 | 1.5 | 1.20 | 0.72 | 250 | MLG1005S51NJT000 |
| 56 | $\pm 3\%$ | 8 | 100 | 1.0 | 1.3 | 1.30 | 0.83 | 200 | MLG1005S56NHT000 |
| 56 | $\pm 5\%$ | 8 | 100 | 1.0 | 1.3 | 1.30 | 0.83 | 200 | MLG1005S56NJT000 |
| 62 | $\pm 3\%$ | 8 | 100 | 1.0 | 1.3 | 1.40 | 0.85 | 200 | MLG1005S62NHT000 |
| 62 | $\pm 5\%$ | 8 | 100 | 1.0 | 1.3 | 1.40 | 0.85 | 200 | MLG1005S62NJT000 |
| 68 | $\pm 3\%$ | 8 | 100 | 0.8 | 1.1 | 1.50 | 0.87 | 200 | MLG1005S68NHT000 |
| 68 | $\pm 5\%$ | 8 | 100 | 0.8 | 1.1 | 1.50 | 0.87 | 200 | MLG1005S68NJT000 |
| 75 | $\pm 3\%$ | 8 | 100 | 0.75 | 1.1 | 1.50 | 0.93 | 200 | MLG1005S75NHT000 |
| 75 | $\pm 5\%$ | 8 | 100 | 0.75 | 1.1 | 1.50 | 0.93 | 200 | MLG1005S75NJT000 |
| 82 | $\pm 3\%$ | 8 | 100 | 0.7 | 1.0 | 1.60 | 1.01 | 200 | MLG1005S82NHT000 |
| 82 | $\pm 5\%$ | 8 | 100 | 0.7 | 1.0 | 1.60 | 1.01 | 200 | MLG1005S82NJT000 |
| 91 | $\pm 3\%$ | 8 | 100 | 0.7 | 0.9 | 1.80 | 1.14 | 200 | MLG1005S91NHT000 |
| 91 | $\pm 5\%$ | 8 | 100 | 0.7 | 0.9 | 1.80 | 1.14 | 200 | MLG1005S91NJT000 |
| 100 | $\pm 3\%$ | 8 | 100 | 0.7 | 0.9 | 2.00 | 1.37 | 200 | MLG1005SR10HT000 |
| 100 | $\pm 5\%$ | 8 | 100 | 0.7 | 0.9 | 2.00 | 1.37 | 200 | MLG1005SR10JT000 |
| 110 | $\pm 3\%$ | 8 | 100 | 0.7 | 0.9 | 2.20 | 1.48 | 150 | MLG1005SR11HT000 |
| 110 | $\pm 5\%$ | 8 | 100 | 0.7 | 0.9 | 2.20 | 1.48 | 150 | MLG1005SR11JT000 |
| 120 | $\pm 3\%$ | 8 | 100 | 0.6 | 0.8 | 2.20 | 1.48 | 150 | MLG1005SR12HT000 |
| 120 | $\pm 5\%$ | 8 | 100 | 0.6 | 0.8 | 2.20 | 1.48 | 150 | MLG1005SR12JT000 |
| 130 | $\pm 3\%$ | 8 | 100 | 0.6 | 0.8 | 2.50 | 1.68 | 150 | MLG1005SR13HT000 |
| 130 | $\pm 5\%$ | 8 | 100 | 0.6 | 0.8 | 2.50 | 1.68 | 150 | MLG1005SR13JT000 |
| 150 | $\pm 3\%$ | 8 | 100 | 0.55 | 0.7 | 3.50 | 2.44 | 150 | MLG1005SR15HT000 |
| 150 | $\pm 5\%$ | 8 | 100 | 0.55 | 0.7 | 3.50 | 2.44 | 150 | MLG1005SR15JT000 |
| 160 | $\pm 3\%$ | 8 | 100 | 0.5 | 0.6 | 3.80 | 2.74 | 150 | MLG1005SR16HT000 |
| 160 | $\pm 5\%$ | 8 | 100 | 0.5 | 0.6 | 3.80 | 2.74 | 150 | MLG1005SR16JT000 |
| 180 | $\pm 3\%$ | 8 | 100 | 0.5 | 0.6 | 3.80 | 2.88 | 150 | MLG1005SR18HT000 |
| 180 | $\pm 5\%$ | 8 | 100 | 0.5 | 0.6 | 3.80 | 2.88 | 150 | MLG1005SR18JT000 |
| 200 | $\pm 3\%$ | 8 | 100 | 0.42 | 0.5 | 4.20 | 3.15 | 100 | MLG1005SR20HT000 |
| 200 | $\pm 5\%$ | 8 | 100 | 0.42 | 0.5 | 4.20 | 3.15 | 100 | MLG1005SR20JT000 |
| 220 | $\pm 3\%$ | 8 | 100 | 0.45 | 0.5 | 4.20 | 3.02 | 100 | MLG1005SR22HT000 |
| 220 | $\pm 5\%$ | 8 | 100 | 0.45 | 0.5 | 4.20 | 3.02 | 100 | MLG1005SR22JT000 |

* Please contact us for information on inductance tolerance, G ($\pm 2\%$).

Measurement equipment

| Measurement item | Product No. | Manufacturer |
|-------------------------|---------------|-----------------------|
| L, Q | 4291B +16193A | Keysight Technologies |
| Self-resonant frequency | 8720C | Keysight Technologies |
| DC resistance | Type-7561 | Yokogawa |

* Equivalent measurement equipment may be used.

MLG1005S type

CHARACTERISTICS SPECIFICATION TABLE

| L (nH) | Tolerance | Q min. | L, Q measuring frequency (MHz) | Self-resonant frequency | | DC resistance | | Rated current (mA)max. | Part No.* |
|-----------|-----------|-----------|--------------------------------------|----------------------------|-----------|------------------|------------------|---------------------------|----------------------------------|
| | | | | (GHz)min. | (GHz)typ. | (Ω)max. | (Ω)typ. | | |
| 240 | ±3% | 8 | 100 | 0.4 | 0.5 | 4.8 | 3.42 | 100 | MLG1005SR24HT000 |
| 240 | ±5% | 8 | 100 | 0.4 | 0.5 | 4.80 | 3.42 | 100 | MLG1005SR24JT000 |
| 270 | ±3% | 8 | 100 | 0.4 | 0.5 | 4.80 | 3.54 | 100 | MLG1005SR27HT000 |
| 270 | ±5% | 8 | 100 | 0.4 | 0.5 | 4.80 | 3.54 | 100 | MLG1005SR27JT000 |
| 300 | ±3% | 6 | 50 | 0.35 | 0.4 | 6.50 | 4.82 | 50 | MLG1005SR30HT000 |
| 300 | ±5% | 6 | 50 | 0.35 | 0.4 | 6.50 | 4.82 | 50 | MLG1005SR30JT000 |
| 330 | ±3% | 6 | 50 | 0.35 | 0.4 | 7.00 | 5.21 | 50 | MLG1005SR33HT000 |
| 330 | ±5% | 6 | 50 | 0.35 | 0.4 | 7.00 | 5.21 | 50 | MLG1005SR33JT000 |
| 360 | ±3% | 6 | 50 | 0.3 | 0.4 | 7.50 | 5.39 | 50 | MLG1005SR36HT000 |
| 360 | ±5% | 6 | 50 | 0.3 | 0.4 | 7.50 | 5.39 | 50 | MLG1005SR36JT000 |
| 390 | ±3% | 6 | 50 | 0.3 | 0.4 | 8.00 | 5.97 | 50 | MLG1005SR39HT000 |
| 390 | ±5% | 6 | 50 | 0.3 | 0.4 | 8.00 | 5.97 | 50 | MLG1005SR39JT000 |

* Please contact us for information on inductance tolerance, G (±2%).

Measurement equipment

| Measurement item | Product No. | Manufacturer |
|-------------------------|---------------|-----------------------|
| L, Q | 4291B +16193A | Keysight Technologies |
| Self-resonant frequency | 8720C | Keysight Technologies |
| DC resistance | Type-7561 | Yokogawa |

* Equivalent measurement equipment may be used.

MLG1005S type

L, Q FREQUENCY CHARACTERISTICS TABLE

| L(nH)typ. | | | | | Q typ. | | | | | Part No.* |
|-----------|--------|--------|--------|--------|--------|--------|--------|--------|--------|----------------------------------|
| 500MHz | 800MHz | 1.8GHz | 2.0GHz | 2.4GHz | 500MHz | 800MHz | 1.8GHz | 2.0GHz | 2.4GHz | |
| 0.3 | 0.3 | 0.3 | 0.3 | 0.3 | 22min. | 27min. | 46min. | 49min. | 53min. | MLG1005S0N3BT000 |
| 0.3 | 0.3 | 0.3 | 0.3 | 0.3 | 22min. | 27min. | 46min. | 49min. | 53min. | MLG1005S0N3CT000 |
| 0.4 | 0.4 | 0.4 | 0.4 | 0.4 | 22min. | 27min. | 46min. | 49min. | 53min. | MLG1005S0N4BT000 |
| 0.4 | 0.4 | 0.4 | 0.4 | 0.4 | 22min. | 27min. | 46min. | 49min. | 53min. | MLG1005S0N4CT000 |
| 0.5 | 0.5 | 0.5 | 0.5 | 0.5 | 22min. | 27min. | 46min. | 49min. | 53min. | MLG1005S0N5BT000 |
| 0.5 | 0.5 | 0.5 | 0.5 | 0.5 | 22min. | 27min. | 46min. | 49min. | 53min. | MLG1005S0N5CT000 |
| 0.6 | 0.6 | 0.6 | 0.6 | 0.6 | 22 | 27 | 46 | 49 | 53 | MLG1005S0N6BT000 |
| 0.6 | 0.6 | 0.6 | 0.6 | 0.6 | 22 | 27 | 46 | 49 | 53 | MLG1005S0N6CT000 |
| 0.7 | 0.7 | 0.7 | 0.7 | 0.7 | 22 | 28 | 45 | 49 | 54 | MLG1005S0N7BT000 |
| 0.7 | 0.7 | 0.7 | 0.7 | 0.7 | 22 | 28 | 45 | 49 | 54 | MLG1005S0N7CT000 |
| 0.8 | 0.8 | 0.8 | 0.8 | 0.8 | 26 | 34 | 57 | 60 | 66 | MLG1005S0N8BT000 |
| 0.8 | 0.8 | 0.8 | 0.8 | 0.8 | 26 | 34 | 57 | 60 | 66 | MLG1005S0N8CT000 |
| 0.9 | 0.8 | 0.8 | 0.8 | 0.8 | 21 | 27 | 44 | 47 | 53 | MLG1005S0N9BT000 |
| 0.9 | 0.8 | 0.8 | 0.8 | 0.8 | 21 | 27 | 44 | 47 | 53 | MLG1005S0N9CT000 |
| 0.9 | 0.9 | 0.9 | 0.9 | 0.9 | 22 | 29 | 48 | 50 | 56 | MLG1005S1N0BT000 |
| 0.9 | 0.9 | 0.9 | 0.9 | 0.9 | 22 | 29 | 48 | 50 | 56 | MLG1005S1N0CT000 |
| 0.9 | 0.9 | 0.9 | 0.9 | 0.9 | 22 | 29 | 48 | 50 | 56 | MLG1005S1N0ST000 |
| 1.0 | 1.0 | 1.0 | 1.0 | 1.0 | 23 | 29 | 47 | 50 | 57 | MLG1005S1N1BT000 |
| 1.0 | 1.0 | 1.0 | 1.0 | 1.0 | 23 | 29 | 47 | 50 | 57 | MLG1005S1N1CT000 |
| 1.0 | 1.0 | 1.0 | 1.0 | 1.0 | 23 | 29 | 47 | 50 | 57 | MLG1005S1N1ST000 |
| 1.1 | 1.1 | 1.1 | 1.1 | 1.1 | 23 | 29 | 48 | 50 | 56 | MLG1005S1N2BT000 |
| 1.1 | 1.1 | 1.1 | 1.1 | 1.1 | 23 | 29 | 48 | 50 | 56 | MLG1005S1N2CT000 |
| 1.1 | 1.1 | 1.1 | 1.1 | 1.1 | 23 | 29 | 48 | 50 | 56 | MLG1005S1N2ST000 |
| 1.2 | 1.2 | 1.2 | 1.2 | 1.2 | 22 | 27 | 44 | 47 | 53 | MLG1005S1N3BT000 |
| 1.2 | 1.2 | 1.2 | 1.2 | 1.2 | 22 | 27 | 44 | 47 | 53 | MLG1005S1N3CT000 |
| 1.2 | 1.2 | 1.2 | 1.2 | 1.2 | 22 | 27 | 44 | 47 | 53 | MLG1005S1N3ST000 |
| 1.4 | 1.4 | 1.4 | 1.5 | 1.5 | 23 | 29 | 47 | 50 | 56 | MLG1005S1N5BT000 |
| 1.4 | 1.4 | 1.4 | 1.5 | 1.5 | 23 | 29 | 47 | 50 | 56 | MLG1005S1N5CT000 |
| 1.4 | 1.4 | 1.4 | 1.5 | 1.5 | 23 | 29 | 47 | 50 | 56 | MLG1005S1N5ST000 |
| 1.5 | 1.5 | 1.5 | 1.6 | 1.6 | 23 | 29 | 46 | 49 | 54 | MLG1005S1N6BT000 |
| 1.5 | 1.5 | 1.5 | 1.6 | 1.6 | 23 | 29 | 46 | 49 | 54 | MLG1005S1N6CT000 |
| 1.5 | 1.5 | 1.5 | 1.6 | 1.6 | 23 | 29 | 46 | 49 | 54 | MLG1005S1N6ST000 |
| 1.7 | 1.7 | 1.7 | 1.7 | 1.7 | 20 | 26 | 41 | 43 | 49 | MLG1005S1N8BT000 |
| 1.7 | 1.7 | 1.7 | 1.7 | 1.7 | 20 | 26 | 41 | 43 | 49 | MLG1005S1N8CT000 |
| 1.7 | 1.7 | 1.7 | 1.7 | 1.7 | 20 | 26 | 41 | 43 | 49 | MLG1005S1N8ST000 |
| 1.9 | 1.9 | 1.9 | 1.9 | 1.9 | 21 | 25 | 41 | 43 | 48 | MLG1005S2N0BT000 |
| 1.9 | 1.9 | 1.9 | 1.9 | 1.9 | 21 | 25 | 41 | 43 | 48 | MLG1005S2N0CT000 |
| 1.9 | 1.9 | 1.9 | 1.9 | 1.9 | 21 | 25 | 41 | 43 | 48 | MLG1005S2N0ST000 |
| 2.1 | 2.1 | 2.1 | 2.1 | 2.2 | 22 | 27 | 44 | 47 | 52 | MLG1005S2N2BT000 |
| 2.1 | 2.1 | 2.1 | 2.1 | 2.2 | 22 | 27 | 44 | 47 | 52 | MLG1005S2N2CT000 |
| 2.1 | 2.1 | 2.1 | 2.1 | 2.2 | 22 | 27 | 44 | 47 | 52 | MLG1005S2N2ST000 |
| 2.3 | 2.3 | 2.3 | 2.3 | 2.4 | 21 | 26 | 42 | 44 | 49 | MLG1005S2N4BT000 |
| 2.3 | 2.3 | 2.3 | 2.3 | 2.4 | 21 | 26 | 42 | 44 | 49 | MLG1005S2N4CT000 |
| 2.3 | 2.3 | 2.3 | 2.3 | 2.4 | 21 | 26 | 42 | 44 | 49 | MLG1005S2N4ST000 |
| 2.6 | 2.6 | 2.6 | 2.7 | 2.7 | 22 | 27 | 43 | 45 | 50 | MLG1005S2N7BT000 |
| 2.6 | 2.6 | 2.6 | 2.7 | 2.7 | 22 | 27 | 43 | 45 | 50 | MLG1005S2N7CT000 |
| 2.6 | 2.6 | 2.6 | 2.7 | 2.7 | 22 | 27 | 43 | 45 | 50 | MLG1005S2N7ST000 |
| 2.9 | 2.9 | 3.0 | 3.0 | 3.1 | 24 | 29 | 47 | 49 | 54 | MLG1005S3N0BT000 |
| 2.9 | 2.9 | 3.0 | 3.0 | 3.1 | 24 | 29 | 47 | 49 | 54 | MLG1005S3N0CT000 |
| 2.9 | 2.9 | 3.0 | 3.0 | 3.1 | 24 | 29 | 47 | 49 | 54 | MLG1005S3N0ST000 |

* Please contact us for information on inductance tolerance, G ($\pm 2\%$).

Measurement equipment

| Product No. | Manufacturer |
|---------------|-----------------------|
| 4291B +16193A | Keysight Technologies |

* Equivalent measurement equipment may be used.

MLG1005S type

L, Q FREQUENCY CHARACTERISTICS TABLE

| L(nH)typ. | | | | | Q typ. | | | | | Part No.* |
|-----------|--------|--------|--------|--------|--------|--------|--------|--------|--------|----------------------------------|
| 500MHz | 800MHz | 1.8GHz | 2.0GHz | 2.4GHz | 500MHz | 800MHz | 1.8GHz | 2.0GHz | 2.4GHz | |
| 3.2 | 3.2 | 3.3 | 3.4 | 3.5 | 24 | 30 | 46 | 48 | 53 | MLG1005S3N3BT000 |
| 3.2 | 3.2 | 3.3 | 3.4 | 3.5 | 24 | 30 | 46 | 48 | 53 | MLG1005S3N3CT000 |
| 3.2 | 3.2 | 3.3 | 3.4 | 3.5 | 24 | 30 | 46 | 48 | 53 | MLG1005S3N3ST000 |
| 3.4 | 3.4 | 3.6 | 3.6 | 3.8 | 21 | 26 | 40 | 42 | 46 | MLG1005S3N6BT000 |
| 3.4 | 3.4 | 3.6 | 3.6 | 3.8 | 21 | 26 | 40 | 42 | 46 | MLG1005S3N6CT000 |
| 3.4 | 3.4 | 3.6 | 3.6 | 3.8 | 21 | 26 | 40 | 42 | 46 | MLG1005S3N6ST000 |
| 3.7 | 3.7 | 3.9 | 3.9 | 4.1 | 22 | 28 | 43 | 45 | 50 | MLG1005S3N9BT000 |
| 3.7 | 3.7 | 3.9 | 3.9 | 4.1 | 22 | 28 | 43 | 45 | 50 | MLG1005S3N9CT000 |
| 3.7 | 3.7 | 3.9 | 3.9 | 4.1 | 22 | 28 | 43 | 45 | 50 | MLG1005S3N9ST000 |
| 4.1 | 4.1 | 4.3 | 4.4 | 4.6 | 24 | 30 | 47 | 49 | 53 | MLG1005S4N3CT000 |
| 4.1 | 4.1 | 4.3 | 4.4 | 4.6 | 24 | 30 | 47 | 49 | 53 | MLG1005S4N3ST000 |
| 4.5 | 4.5 | 4.8 | 4.9 | 5.2 | 23 | 30 | 45 | 47 | 50 | MLG1005S4N7CT000 |
| 4.5 | 4.5 | 4.8 | 4.9 | 5.2 | 23 | 30 | 45 | 47 | 50 | MLG1005S4N7ST000 |
| 4.9 | 4.9 | 5.4 | 5.6 | 6.1 | 23 | 29 | 42 | 43 | 44 | MLG1005S5N1CT000 |
| 4.9 | 4.9 | 5.4 | 5.6 | 6.1 | 23 | 29 | 42 | 43 | 44 | MLG1005S5N1ST000 |
| 5.4 | 5.4 | 5.8 | 5.9 | 6.3 | 22 | 28 | 42 | 43 | 45 | MLG1005S5N6CT000 |
| 5.4 | 5.4 | 5.8 | 5.9 | 6.3 | 22 | 28 | 42 | 43 | 45 | MLG1005S5N6ST000 |
| 6.0 | 6.0 | 6.8 | 7.1 | 7.8 | 24 | 29 | 42 | 43 | 43 | MLG1005S6N2HT000 |
| 6.0 | 6.0 | 6.8 | 7.1 | 7.8 | 24 | 29 | 42 | 43 | 43 | MLG1005S6N2ST000 |
| 6.5 | 6.6 | 7.4 | 7.8 | 8.6 | 23 | 28 | 40 | 41 | 41 | MLG1005S6N8HT000 |
| 6.5 | 6.6 | 7.4 | 7.8 | 8.6 | 23 | 28 | 40 | 41 | 41 | MLG1005S6N8JT000 |
| 7.2 | 7.4 | 8.6 | 9.2 | 10.5 | 24 | 30 | 41 | 41 | 39 | MLG1005S7N5HT000 |
| 7.2 | 7.4 | 8.6 | 9.2 | 10.5 | 24 | 30 | 41 | 41 | 39 | MLG1005S7N5JT000 |
| 7.9 | 8.0 | 9.3 | 9.9 | 11.3 | 23 | 28 | 38 | 38 | 36 | MLG1005S8N2HT000 |
| 7.9 | 8.0 | 9.3 | 9.9 | 11.3 | 23 | 28 | 38 | 38 | 36 | MLG1005S8N2JT000 |
| 8.8 | 9.0 | 10.8 | 11.6 | 13.7 | 24 | 30 | 40 | 39 | 36 | MLG1005S9N1HT000 |
| 8.8 | 9.0 | 10.8 | 11.6 | 13.7 | 24 | 30 | 40 | 39 | 36 | MLG1005S9N1JT000 |
| 9.7 | 9.9 | 12.4 | 13.5 | 16.7 | 24 | 30 | 37 | 36 | 31 | MLG1005S10NHT000 |
| 9.7 | 9.9 | 12.4 | 13.5 | 16.7 | 24 | 30 | 37 | 36 | 31 | MLG1005S10NJT000 |
| 10.6 | 10.9 | 13.8 | 15.1 | 19.0 | 23 | 28 | 34 | 33 | 28 | MLG1005S11NHT000 |
| 10.6 | 10.9 | 13.8 | 15.1 | 19.0 | 23 | 28 | 34 | 33 | 28 | MLG1005S11NJT000 |
| 11.7 | 12.1 | 16.2 | 18.3 | | 23 | 29 | 33 | 31 | | MLG1005S12NHT000 |
| 11.7 | 12.1 | 16.2 | 18.3 | | 23 | 29 | 33 | 31 | | MLG1005S12NJT000 |
| 12.6 | 13.0 | 18.3 | 21.3 | | 20 | 24 | 25 | 22 | | MLG1005S13NHT000 |
| 12.6 | 13 | 18.3 | 21.3 | | 20 | 24 | 25 | 22 | | MLG1005S13NJT000 |
| 14.7 | 15.3 | 22.0 | 26.0 | | 23 | 28 | 29 | 26 | | MLG1005S15NHT000 |
| 14.7 | 15.3 | 22.0 | 26.0 | | 23 | 28 | 29 | 26 | | MLG1005S15NJT000 |
| 15.6 | 16.2 | 24.1 | 29.0 | | 22 | 26 | 26 | 22 | | MLG1005S16NHT000 |
| 15.6 | 16.2 | 24.1 | 29.0 | | 22 | 26 | 26 | 22 | | MLG1005S16NJT000 |
| 17.7 | 18.6 | 29.0 | | | 23 | 28 | 26 | | | MLG1005S18NHT000 |
| 17.7 | 18.6 | 29.0 | | | 23 | 28 | 26 | | | MLG1005S18NJT000 |
| 19.7 | 20.8 | 36.8 | | | 21 | 25 | 21 | | | MLG1005S20NHT000 |
| 19.7 | 20.8 | 36.8 | | | 21 | 25 | 21 | | | MLG1005S20NJT000 |
| 21.8 | 23.3 | | | | 22 | 27 | | | | MLG1005S22NHT000 |
| 21.8 | 23.3 | | | | 22 | 27 | | | | MLG1005S22NJT000 |
| 23.8 | 25.5 | | | | 22 | 26 | | | | MLG1005S24NHT000 |
| 23.8 | 25.5 | | | | 22 | 26 | | | | MLG1005S24NJT000 |
| 27.0 | 29.6 | | | | 20 | 23 | | | | MLG1005S27NHT000 |
| 27.0 | 29.6 | | | | 20 | 23 | | | | MLG1005S27NJT000 |

* Please contact us for information on inductance tolerance, G ($\pm 2\%$).

Measurement equipment

| Product No. | Manufacturer |
|---------------|-----------------------|
| 4291B +16193A | Keysight Technologies |

* Equivalent measurement equipment may be used.

MLG1005S type

■ L, Q FREQUENCY CHARACTERISTICS TABLE

| L(nH)typ. | | | | | Q typ. | | | | | Part No.* |
|-----------|--------|--------|--------|--------|--------|--------|--------|--------|--------|----------------------------------|
| 500MHz | 800MHz | 1.8GHz | 2.0GHz | 2.4GHz | 500MHz | 800MHz | 1.8GHz | 2.0GHz | 2.4GHz | |
| 30.1 | 33.5 | | | | 19 | 21 | | | | MLG1005S30NHT000 |
| 30.1 | 33.5 | | | | 19 | 21 | | | | MLG1005S30NJT000 |
| 33.5 | 37.8 | | | | 20 | 23 | | | | MLG1005S33NHT000 |
| 33.5 | 37.8 | | | | 20 | 23 | | | | MLG1005S33NJT000 |
| 36.7 | 41.5 | | | | 21 | 23 | | | | MLG1005S36NHT000 |
| 36.7 | 41.5 | | | | 21 | 23 | | | | MLG1005S36NJT000 |
| 40.3 | 46.9 | | | | 20 | 21 | | | | MLG1005S39NHT000 |
| 40.3 | 46.9 | | | | 20 | 21 | | | | MLG1005S39NJT000 |
| 44.3 | 51.6 | | | | 20 | 21 | | | | MLG1005S43NHT000 |
| 44.3 | 51.6 | | | | 20 | 21 | | | | MLG1005S43NJT000 |
| 50.2 | 63.2 | | | | 19 | 20 | | | | MLG1005S47NHT000 |
| 50.2 | 63.2 | | | | 19 | 20 | | | | MLG1005S47NJT000 |
| 53.7 | 65.6 | | | | 19 | 19 | | | | MLG1005S51NHT000 |
| 53.7 | 65.6 | | | | 19 | 19 | | | | MLG1005S51NJT000 |
| 60.9 | 80.2 | | | | 19 | 18 | | | | MLG1005S56NHT000 |
| 60.9 | 80.2 | | | | 19 | 18 | | | | MLG1005S56NJT000 |
| 67.5 | 89.8 | | | | 18 | 16 | | | | MLG1005S62NHT000 |
| 67.5 | 89.8 | | | | 18 | 16 | | | | MLG1005S62NJT000 |
| 75.8 | 107.5 | | | | 17 | 15 | | | | MLG1005S68NHT000 |
| 75.8 | 107.5 | | | | 17 | 15 | | | | MLG1005S68NJT000 |
| 86.5 | 135.2 | | | | 17 | 13 | | | | MLG1005S75NHT000 |
| 86.5 | 135.2 | | | | 17 | 13 | | | | MLG1005S75NJT000 |
| 96.9 | | | | | 16 | | | | | MLG1005S82NHT000 |
| 96.9 | | | | | 16 | | | | | MLG1005S82NJT000 |
| 111.0 | | | | | 15 | | | | | MLG1005S91NHT000 |
| 111.0 | | | | | 15 | | | | | MLG1005S91NJT000 |
| 128.9 | | | | | 14 | | | | | MLG1005SR10HT000 |
| 128.9 | | | | | 14 | | | | | MLG1005SR10JT000 |
| 140.8 | | | | | 15 | | | | | MLG1005SR11HT000 |
| 140.8 | | | | | 15 | | | | | MLG1005SR11JT000 |
| 175.2 | | | | | 12 | | | | | MLG1005SR12HT000 |
| 175.2 | | | | | 12 | | | | | MLG1005SR12JT000 |
| 187.8 | | | | | 13 | | | | | MLG1005SR13HT000 |
| 187.8 | | | | | 13 | | | | | MLG1005SR13JT000 |
| 284.7 | | | | | 11 | | | | | MLG1005SR15HT000 |
| 284.7 | | | | | 11 | | | | | MLG1005SR15JT000 |
| | | | | | | | | | | MLG1005SR16HT000 |
| | | | | | | | | | | MLG1005SR16JT000 |
| | | | | | | | | | | MLG1005SR18HT000 |
| | | | | | | | | | | MLG1005SR18JT000 |
| | | | | | | | | | | MLG1005SR20HT000 |
| | | | | | | | | | | MLG1005SR20JT000 |
| | | | | | | | | | | MLG1005SR22HT000 |
| | | | | | | | | | | MLG1005SR22JT000 |
| | | | | | | | | | | MLG1005SR24HT000 |
| | | | | | | | | | | MLG1005SR24JT000 |
| | | | | | | | | | | MLG1005SR27HT000 |
| | | | | | | | | | | MLG1005SR27JT000 |
| | | | | | | | | | | MLG1005SR30HT000 |
| | | | | | | | | | | MLG1005SR30JT000 |

* Please contact us for information on inductance tolerance, G ($\pm 2\%$).

Measurement equipment

| Product No. | Manufacturer |
|---------------|-----------------------|
| 4291B +16193A | Keysight Technologies |

* Equivalent measurement equipment may be used.

MLG1005S type

L, Q FREQUENCY CHARACTERISTICS TABLE

| L(nH)typ. | | | | | Q typ. | | | | | Part No.* |
|-----------|--------|--------|--------|--------|--------|--------|--------|--------|--------|----------------------------------|
| 500MHz | 800MHz | 1.8GHz | 2.0GHz | 2.4GHz | 500MHz | 800MHz | 1.8GHz | 2.0GHz | 2.4GHz | |
| | | | | | | | | | | MLG1005SR33HT000 |
| | | | | | | | | | | MLG1005SR33JT000 |
| | | | | | | | | | | MLG1005SR36HT000 |
| | | | | | | | | | | MLG1005SR36JT000 |
| | | | | | | | | | | MLG1005SR39HT000 |
| | | | | | | | | | | MLG1005SR39JT000 |

* Please contact us for information on inductance tolerance, G ($\pm 2\%$).

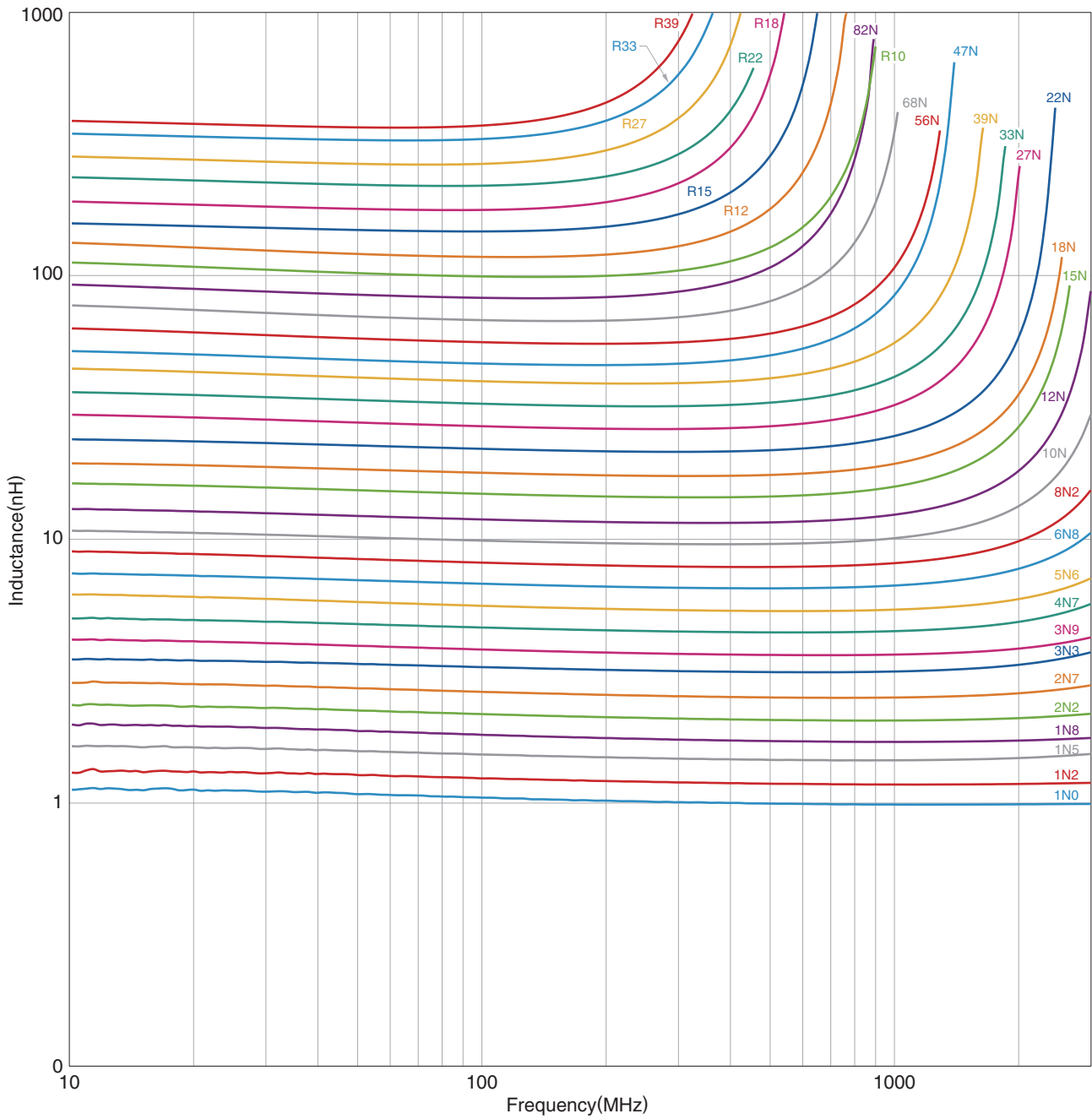
Measurement equipment

| Product No. | Manufacturer |
|---------------|-----------------------|
| 4291B +16193A | Keysight Technologies |

* Equivalent measurement equipment may be used.

MLG1005S type

L FREQUENCY CHARACTERISTICS (EXAMPLE)



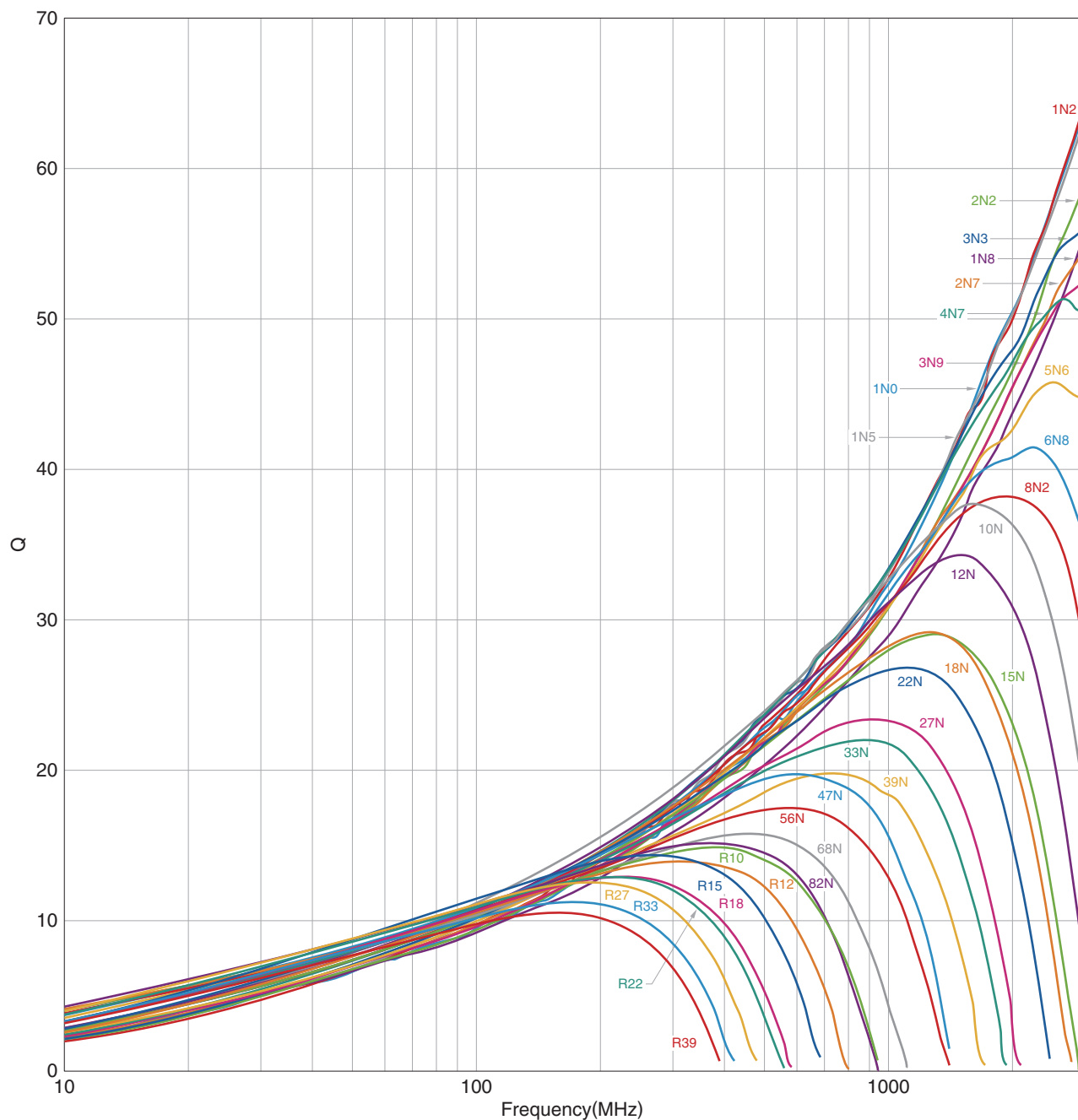
Measurement equipment

| Product No. | Manufacturer |
|----------------|-----------------------|
| E4991A +16193A | Keysight Technologies |

* Equivalent measurement equipment may be used.

MLG1005S type

Q FREQUENCY CHARACTERISTICS (EXAMPLE)



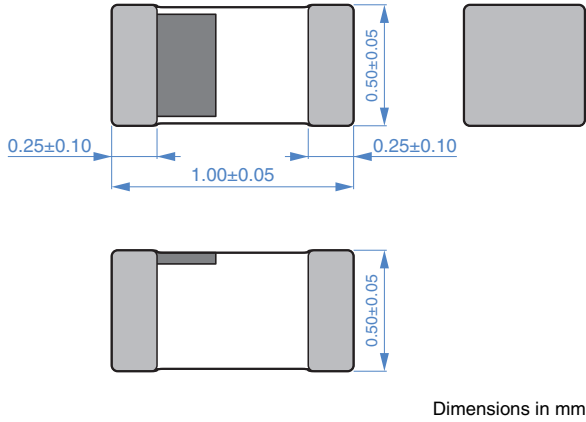
Measurement equipment

| Product No. | Manufacturer |
|----------------|-----------------------|
| E4991A +16193A | Keysight Technologies |

* Equivalent measurement equipment may be used.

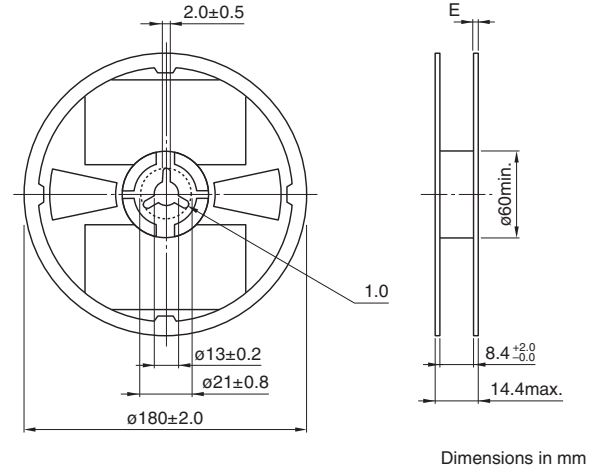
MLG1005S type

SHAPE & DIMENSIONS

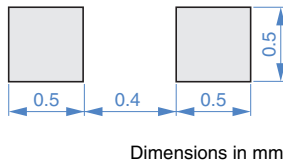


PACKAGING STYLE

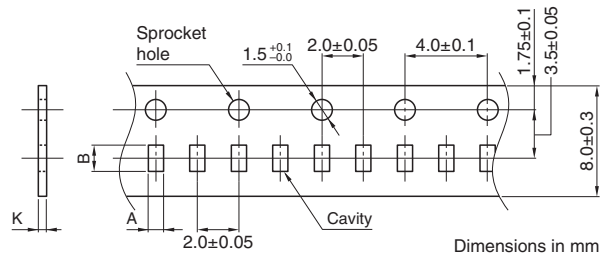
REEL DIMENSIONS



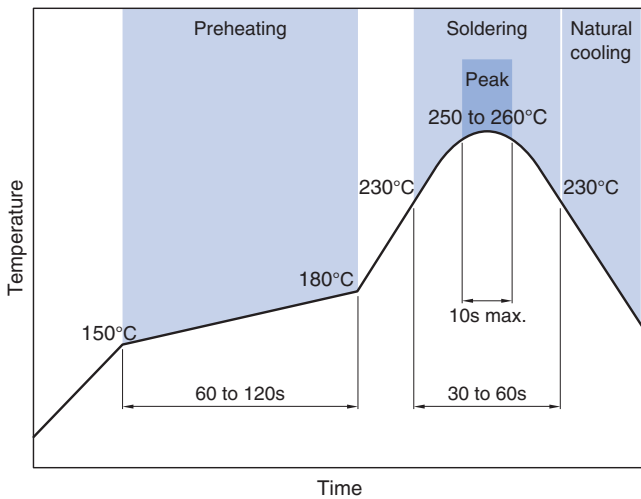
RECOMMENDED LAND PATTERN



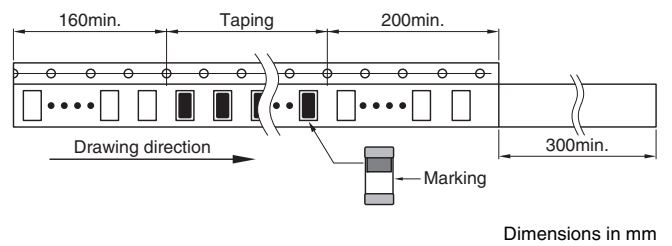
TAPE DIMENSIONS



RECOMMENDED REFLOW PROFILE



| Type | A | B | K |
|----------|----------|----------|----------|
| MLG1005S | 0.62±0.1 | 1.12±0.1 | 0.8 max. |



PACKAGE QUANTITY

| | |
|------------------|---------------|
| Package quantity | 10000pcs/reel |
|------------------|---------------|

TEMPERATURE RANGE, INDIVIDUAL WEIGHT

| Operating temperature range | Storage temperature range* | Individual weight |
|-----------------------------|----------------------------|-------------------|
| -55 to +125 °C | -55 to +125 °C | 1 mg |

* The storage temperature range is for after the assembly.

- REMINDERS FOR USING THESE PRODUCTS -

Before using these products, be sure to request the delivery specifications.

REMINDERS

1. Introduction

This product is a multilayer inductor designed for high-frequency applications, with a lineup tailored to various purposes. By following proper handling and usage conditions, you can maximize product performance and prevent failures or safety issues.

2. General Precautions

- Do not use the product beyond its rated current. Overcurrent may cause degradation of performance or damage.
- Use the product within the operating temperature range specified in the product datasheet.
Failure to do so may lead to performance degradation or solder deterioration.
- Do not use or store in locations where there are conditions such as gas corrosion (salt, acid, alkali, etc.).
- Please use a wrist strap to discharge static electricity from the human body to the ground.
- Do not expose the products to magnets or magnetic fields.
- Do not use the product beyond the specifications described in the delivery specifications or product datasheet.

3. Precautions for Mounting and Implementation

- Applying excessive external impact to the product may cause cracks or chipping.
- When embedding a printed circuit board where a chip is mounted to a set, be sure that residual stress is not given to the chip due to the overall distortion of the printed circuit board and partial distortion such as at screw tightening portions.
- For products with direction marks, the orientation of the mark may affect the set characteristics. Please verify the performance of the set in advance.
- Use the reflow soldering conditions specified in the product datasheet.
- Be sure to preheat the product before soldering.
The temperature difference between the solder and the product during preheating should be within 150°C.
- Soldering corrections after mounting should be within the range of the conditions determined in the specifications.
If overheated, a short circuit, performance deterioration, or lifespan shortening may occur.
Some products do not support rework by manual soldering.
- Land pattern design affects mountability. If you change it from the recommended design, please verify it before use.
- Thermal and mechanical stress from the board can be affected by the type and amount of solder, potentially degrading performance.
Solder Type: Use lead-free solder SAC305.
Solder Amount: Solder with an appropriate fillet shape to avoid excessive solder.
- The original characteristics may not be achieved due to the influence of other components mounted around the product.
In such cases, please consider changing the layout or combining inductors with different winding structures.
- The storage period is within 12 months. Be sure to follow the storage conditions (temperature: 5 to 40°C, humidity: 10 to 75% RH or less).
If the storage period elapses, the soldering of the terminal electrodes may deteriorate.
- Avoid drops or strong impacts during transport, and avoid high temperatures caused by direct sunlight. Excessive heat can degrade the quality of packaging materials such as boxes, reels, and tapes.

4. Disclaimer

These precautions are based on general usage conditions.

For detailed specifications and conditions for each product, please refer to the product datasheet and delivery specifications.

Our company assumes no responsibility for any direct or indirect damage resulting from use based on these precautions.

The contents are subject to change without notice due to improvements or other reasons.

- SAFETY REMINDERS -

Please pay sufficient attention to the warnings for safe designing when using this products

REMINDERS

The products listed on this catalog are intended for use in general electronic equipment (AV equipment, telecommunications equipment, home appliances, amusement equipment, computer equipment, personal equipment, office equipment, measurement equipment, industrial robots) under a normal operation and use condition.

The products are not designed or warranted to meet the requirements of the applications listed below, whose performance and/or quality require a more stringent level of safety or reliability, or whose failure, malfunction or trouble could cause serious damage to society, person or property.

If you intend to use the products in the applications listed below or if you have special requirements exceeding the range or conditions set forth in the each catalog, please contact us.

- | | |
|---|--|
| (1) Aerospace/aviation equipment | (8) Public information-processing equipment |
| (2) Transportation equipment (cars, electric trains, ships, etc.) | (9) Military equipment |
| (3) Medical equipment | (10) Electric heating apparatus, burning equipment |
| (4) Power-generation control equipment | (11) Disaster prevention/crime prevention equipment |
| (5) Atomic energy-related equipment | (12) Safety equipment |
| (6) Seabed equipment | (13) Other applications that are not considered general-purpose applications |
| (7) Transportation control equipment | |

When designing your equipment even for general-purpose applications, you are kindly requested to take into consideration securing protection circuit/device or providing backup circuits in your equipment.