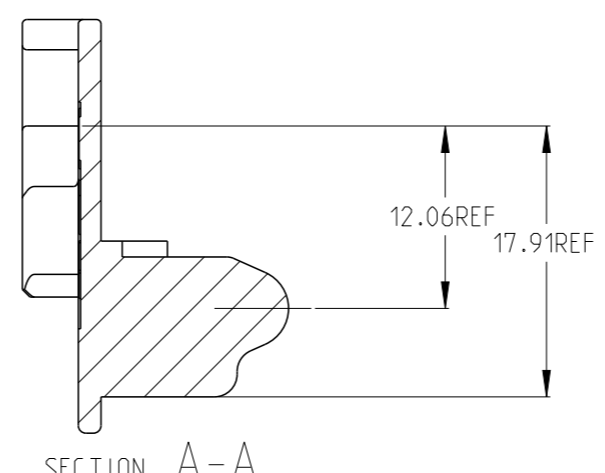
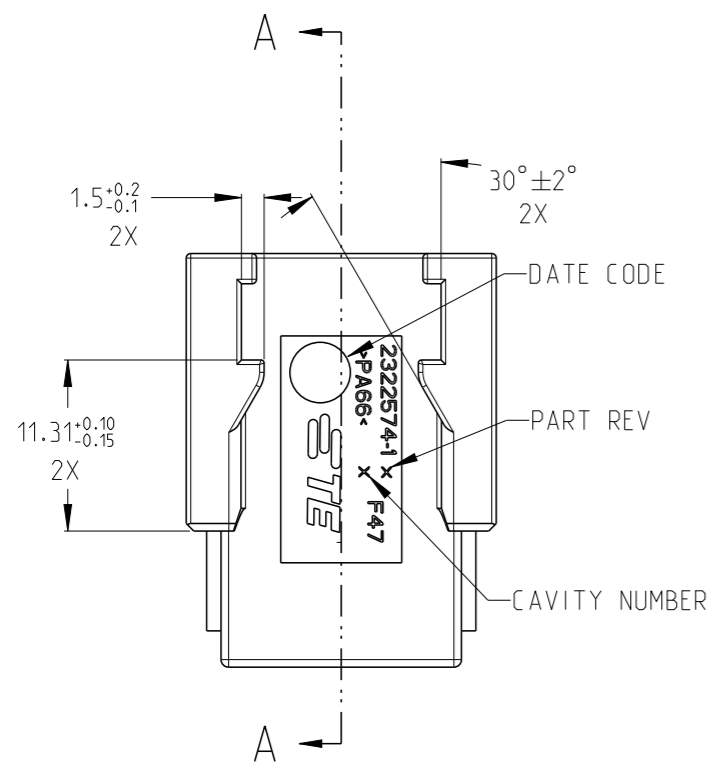


THICKNESS 0.7mm TO 1.6mm



- NOTES:
1. MATEIRAL: PA66, BLACK.
 2. P/N : 2322574-1.
 3. USESED IN UNSEAL INLINE 48WAY TAB HSG 2298631-*

REVISIONS					
P	LTR	DESCRIPTION	DATE	DWN	APVD
	B	RELEASED	10JUN2019	A.D	I.Y

THIS DRAWING IS A CONTROLLED DOCUMENT.		DWN A.DANG	10JUN2019	TE Connectivity NAME CLIP BRACKET	
DIMENSIONS: mm		CHK N.ZHOU	10JUN2019		
TOLERANCES UNLESS OTHERWISE SPECIFIED:		APVD I.YIN	10JUN2019		
0 PLC ± 1 PLC ±0.1 2 PLC ±0.01 3 PLC ±0.001 4 PLC ±0.0001 ANGLES ±		PRODUCT SPEC -			
MATERIAL TBD material_2		FINISH -		APPLICATION SPEC -	
		WEIGHT -		SIZE A3	CAGE CODE 00779
		CUSTOMER DRAWING;RESTRICTED CUSTOMER		DRAWING NO C=2322574	RESTRICTED TO -
		SCALE 2:1		SHEET 1 OF 1	REV B