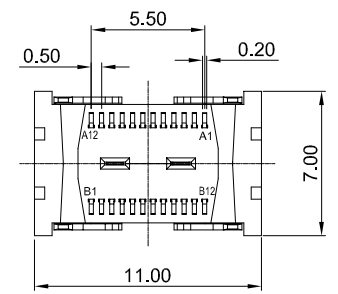
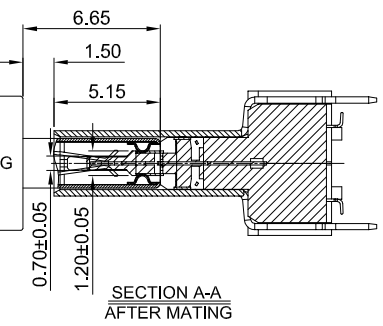




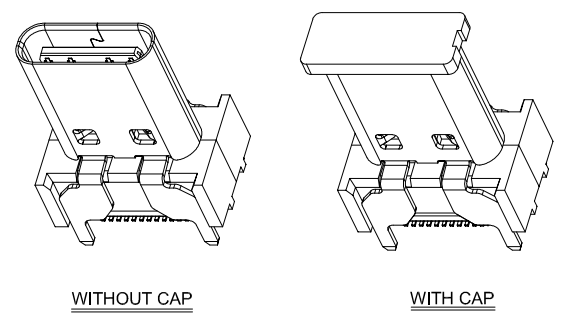
**G-Switch USB-C Specification:**

1. Current rated: 5A on vbus/1.25A on vconn/0.25A on other
2. Voltage rating: 24V AC
3. Withstanding voltage: 100V AC/minute
4. Contact resistance: 40mΩ Max
5. Insulation resistance: 100MΩ Min
6. Operating temperature: -40°C ~ +85°C
7. Mating force: 5N~20N
8. Unmating force: 8N~20N, after durability test: 6N~20N
9. Durability cycle: 10,000 cycles
10. Data transmission rate up to 10Gbps
11. Compliant with: IEC62680-1-3

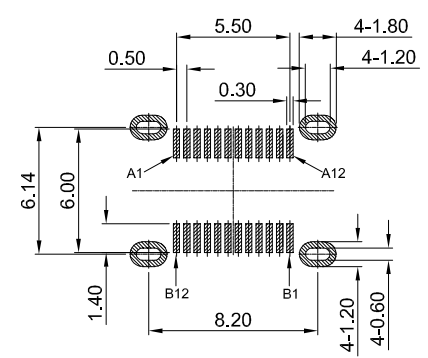
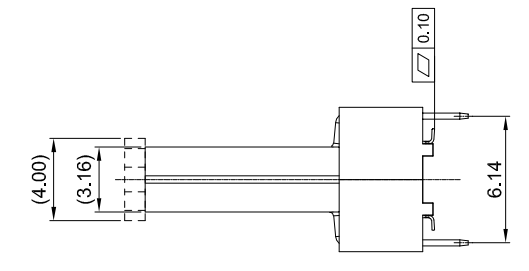
A1	A2	A3	A4	A5	A6	A7	A8	A9	A10	A11	A12
GND	TX1+	TX1-	VBUS	CC1	D+	D-	SBU1	VBUS	RX2-	RX2+	GND
First	Second	Second	First	Second	Second	Second	Second	First	Second	Second	First
B12	B11	B10	B9	B8	B7	B6	B5	B4	B3	B2	B1
GND	RX1+	RX1-	VBUS	SBU2	D-	D+	CC2	VBUS	TX2-	TX2+	GND
First	Second	Second	First	Second	Second	Second	Second	First	Second	Second	First



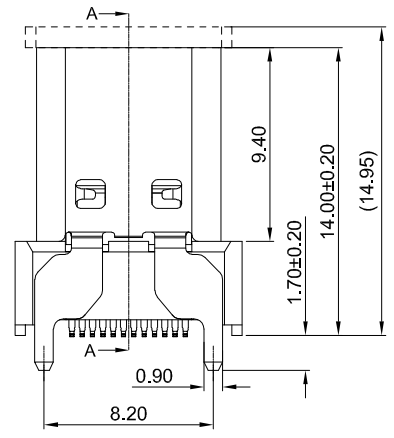
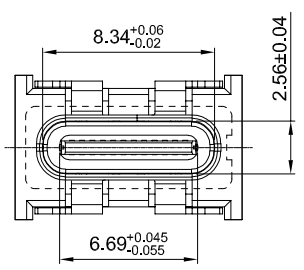
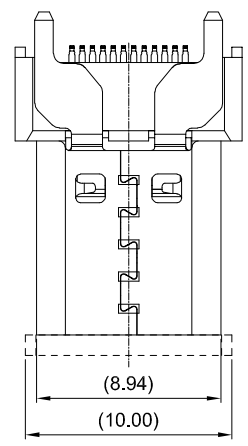
CONTACT AREA	MOLDE CODE
Au1u"	GT-USB-9028G01-01
Au30u"	GT-USB-9028G01-30



WITHOUT CAP WITH CAP



PCB REFERENCE DIAGRAM TOLERANCE:±0.05



1	SHELL	STAINLESS STEEL	Ni30u"MIN PLATED
2	MID PLATE	STAINLESS STEEL	-
3	HOUSING	HIGH TEMPERATURE PLASTIC	BLACK UL 94V-0
4	TERMINALS	COPPER ALLOY	Au PLATED ON CONTACT AREA TiN PLATED ON SOLDER AREA
5	GND PLATE	STAINLESS STEEL	-
6	CAP	HIGH TEMPERATURE PLASTIC	BLACK UL 94V-0
NO.	PARTS	MATERIAL	REMARKS



SCALE: 1:1	UNIT: mm	Title: Vertical Type-C 24P Female SMT H=14.00mm			
SIZE: A4		Molde Code: GT-USB-9028G01-XX			
Unless otherwise General Tolerance:		DRAWN	CHECKED	APPROVED	DATE
X.	±0.40	Wu	Xia	Chen	2025.02.03
X.x	±0.30				
X.xx	±0.20				
X.xxx	±0.10				
X"	±5°				



REV: A0	SHEET: 1/1
---------	------------