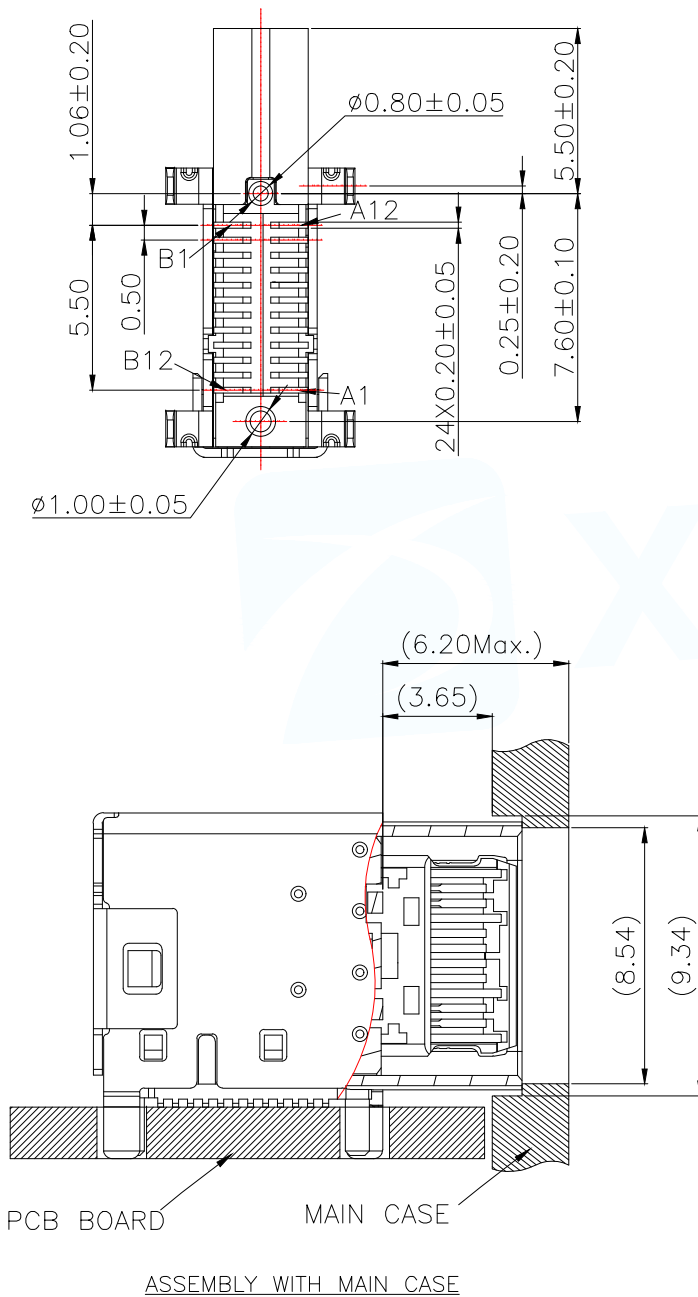
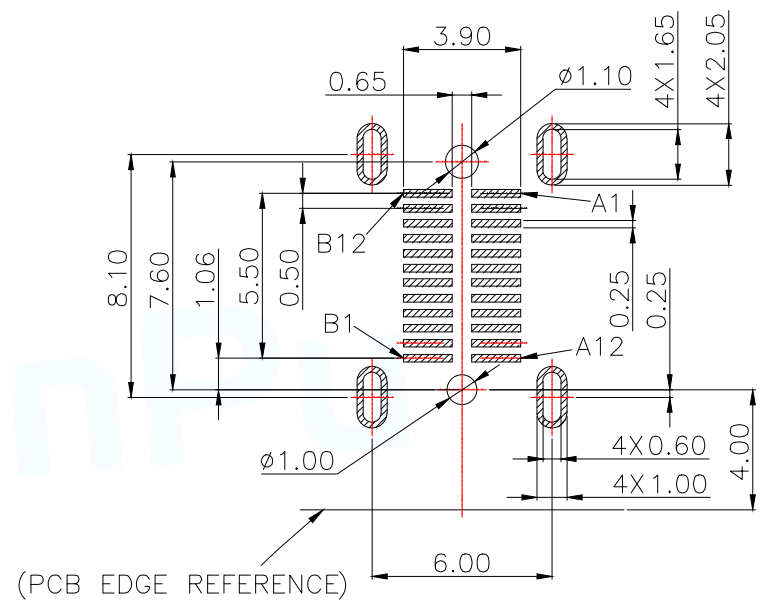
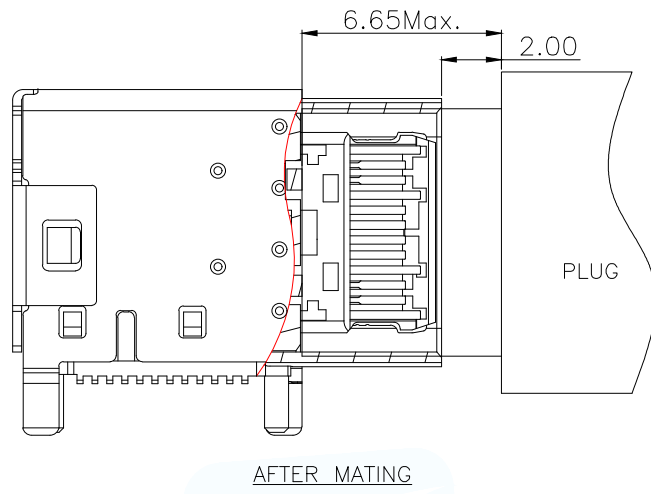


MANUFACTURE DWG		 东莞市讯普电子科技有限公司 DongGuan XunPu Electronics Co.,Ltd	
UNLESS OTHERWISE SPECIFIED TOLERANCES			TITLE:USB TYPE C SMT TYPE UPRIGHT STRAIGHT TAB 24 PIN
DECIMALS:	ANGLES:		PAR TYPE-C-718-ZSCL143
.X:±0.30	X.':±10'		DWN Lucas
.XX:±0.20	X.X':±8'		CHKD Ethan
.XXX:±0.10	X.XX':±5'	CUSTOMER COPY	APVD Jacob
		SIZE:A4	SCALE1:1 UNIT:MM
		SHEET:1F4	REV:A



- NOTE:
- MATERIAL SPECIFICATION:
    - HOUSING: PA9T, UL94 V-0.
    - TERMINAL: COPPER ALLOY (C18150)
    - MID PLATE: STAINLESS STEEL (SUS301)
    - INNER SHELL: STAINLESS STEEL (SUS304)
    - COVER: STAINLESS STEEL (SUS304)
  - PLATING SPECIFICATION:
    - TERMINAL:
      - Ni 50u" MIN. UNDER PLATED OVER ALL.
      - Au PLATED ON THE FUNCTIONAL AREA OF CONTACT. (GOLD PLATING THICKNESS Au:3u")
      - PLATING SPECIFICATIONS OF THE SOLDER AREA Au:G/F
    - INNER SHELL & COVER SHELL:
      - Ni 30u" MIN. UNDER PLATED OVER ALL.
    - MID PLATE:
      - CLEAR ONLY
  - MECHANICAL PERFORMANCE,
    - INSERTION FORCE: 0.5~2.0kgf.
    - REMOVAL FORCE: 0.8kgf~2.0kgf.
    - DURABILITY: 10000 CYCLES.
  - ELECTRICAL PERFORMANCE,
    - VOLTAGE RATING: 5V.  
CURRENT RATING: 5A.
    - LLCR:
      - VBUS & GND PINS AND OTHER PINS: 40mA/PIN MAX.
      - LLCR MAX. CHANGE OF ALL PINS: 10mA.
    - INSULATION RESISTANCE: 100MΩ MIN
    - DIELECTRIC WITHSTAND VOLTAGE, AC 100V FOR 1 MINUTE.
  - ENVIRONMENTAL PERFORMANCE:
    - OPERATING TEMPERATURE: -40°C~+85°C.
  - IR REFLOW:
    - THE PEAK TEMPERATURE ON THE BOARD SHALL BE MAINTAINED FOR 10 SECONDS AT 260°C.

MANUFACTURE DWG		 东莞市讯普电子科技有限公司 DongGuan XunPu Electronics Co., Ltd	
UNLESS OTHERWISE SPECIFIED TOLERANCES			TITLE: USB TYPE C SMT TYPE UPRIGHT STRAIGHT TAB 24 PIN
			PAR TYPE-C-718-ZSCL143
DECIMALS:	ANGLES:		DWN Lucas
.X:±0.30	X.':±10°		CHKD Ethan
.XX:±0.20	X.X':±8°		APVD Jacob
.XXX:±0.10	X.XX':±5°	SCALE 1:1 UNIT:MM	SIZE: A4 SHEET: 2F4 REV: A
CUSTOMER COPY			



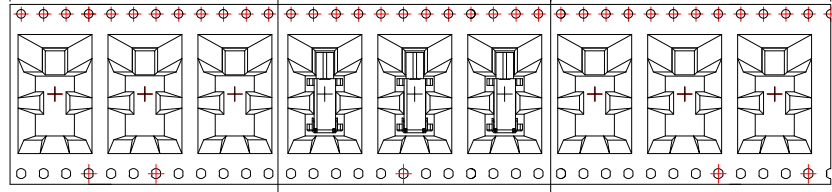
RECOMMENDED P.C.B LAYOUT  
TOLERANCE ± 0.05mm (TOP VIEW)

USB TYPE-C PIN ASSIGNMENTS

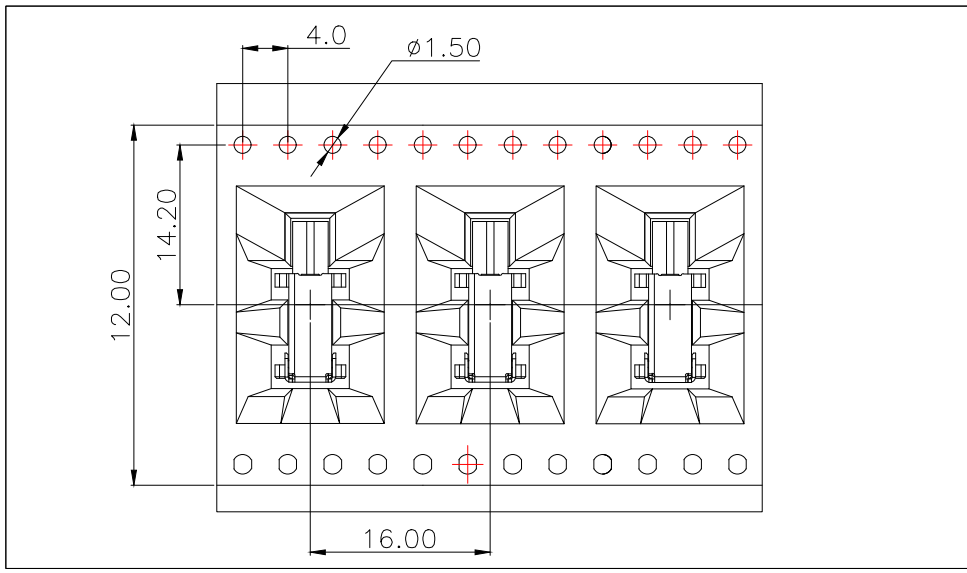
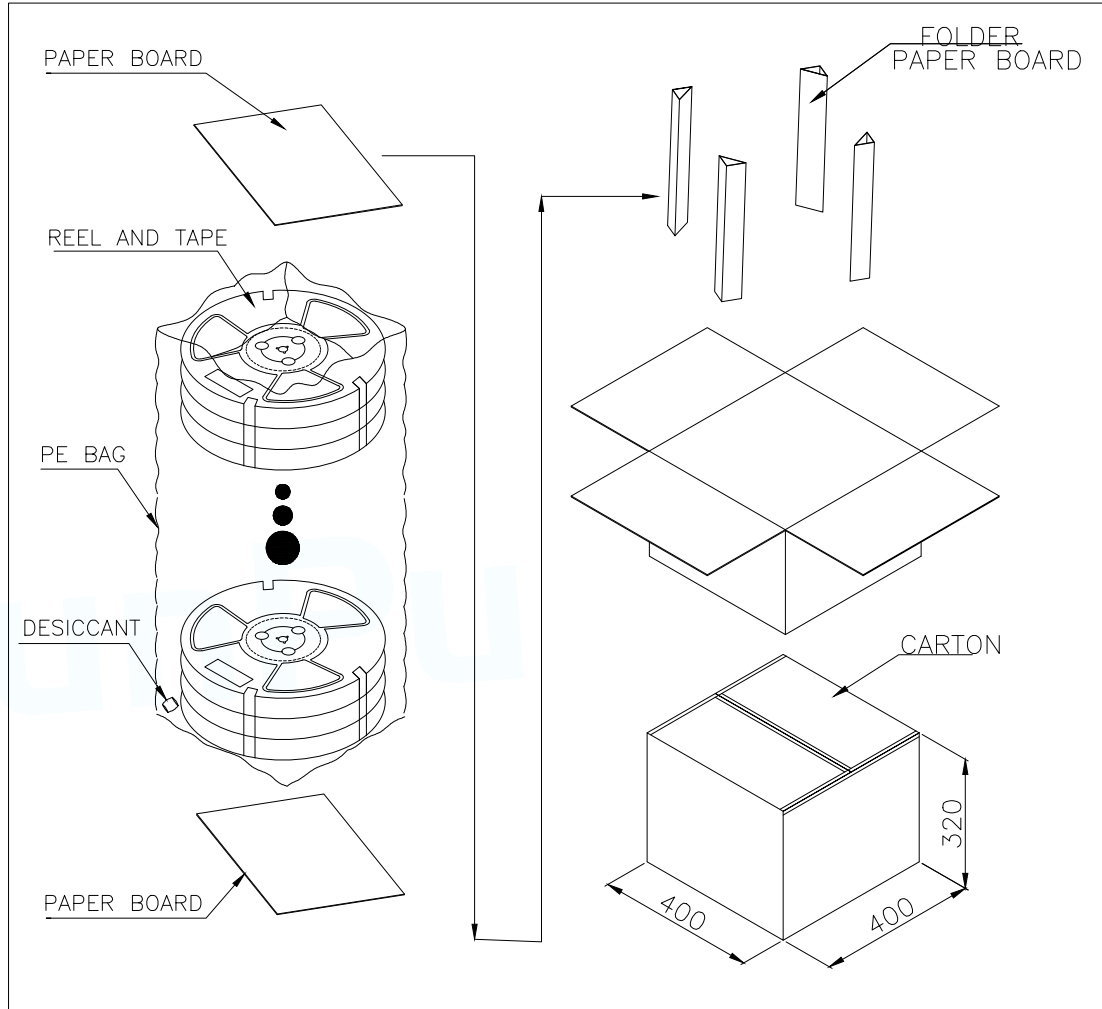
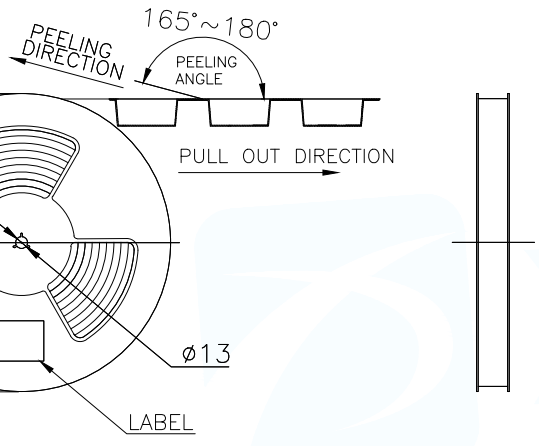
PIN NUMBER	SIGNAL NAME	PIN NUMBER	SIGNAL NAME
A1	GND	B12	GND
A2	TXp1	B11	RXp1
A3	TXn1	B10	RXn1
A4	Vbus	B9	Vbus
A5	CC1	B8	SBU2
A6	Dp1	B7	Dn2
A7	Dn1	B6	Dp2
A8	SBU1	B5	CC2
A9	Vbus	B4	Vbus
A10	RXn2	B3	TXn2
A11	RXp2	B2	TXp2
A12	GND	B1	GND

MANUFACTURE DWG			 东莞市讯普电子科技有限公司 DongGuan XunPu Electronics Co.,Ltd	
UNLESS OTHERWISE SPECIFIED TOLERANCES			TITLE:USB TYPE C SMT TYPE UPRIGHT STRAIGHT TAB 24 PIN	
DECIMALS:	ANGLES:	PAR	TYPE-C-718-ZSCL143	
.X:±0.30	X.:±10°	DWN	Lucas	
.XX:±0.20	X.X':±8°	CHKD	Ethan	
.XXX:±0.10	X.XX':±5°	APVD	Jacob	
CUSTOMER COPY		SCALE 1:1	UNIT:MM	
		SIZE:A4	SHEET:3F4	REV:A

REEL OFF SECTION (18 POCKETS MIN.)      450PCS      PULL OUT DIRECTION (18 POCKETS MIN.)



SEE DETAIL X



		REEL	CARTON
CONNECTOR (PCS)		450	2700
MANUFACTURE DWG	东莞市讯普电子科技有限公司 DongGuan XunPu Electronics Co.,Ltd		
UNLESS OTHERWISE SPECIFIED TOLERANCES		TITLE:USB TYPE C SMT TYPE UPRIGHT STRAIGHT TAB 24 PIN	
		PAR	TYPE-C-718-ZSCL143
DECIMALS:	ANGLES:	DWN	Lucas
.X:±0.30	X.':±10'	CHKD	Ethan
.XX:±0.20	X.X':±8"	APVD	Jacob
.XXX:±0.10	X.XX':±5'	SCALE:1:1	UNIT:MM
	CUSTOMER COPY	SIZE:A4	SHEET:4F4
			REV:A