

WE RECOMMEND THESE CONNECTORS FOR OPTIMAL SERVICE LEVEL

**Preferred Part**

- SHORT LEAD-TIMES
- LOW MOQs
- QUICK SAMPLING
- AVAILABLE AT DISTRIBUTION

<b>Preferred Part</b>
98414-G06-06ULF
98414-G06-08ULF
98414-G06-10ULF
98414-G06-12ULF
98414-G06-14ULF
98414-G06-16ULF
98414-G06-20ULF
98414-G06-26ULF
98414-G06-32ULF

PIN STYLE PREFERRED PART		
PIN STYLE	POST LENGTH	TAIL LENGTH
06	4.00	2.50

PLATING  
 G = 0.76µm GOLD/GXT ON CONTACT AREA  
 2µm TIN MIN ON TAIL  
 1.27µm Ni MIN UNDERLAYER

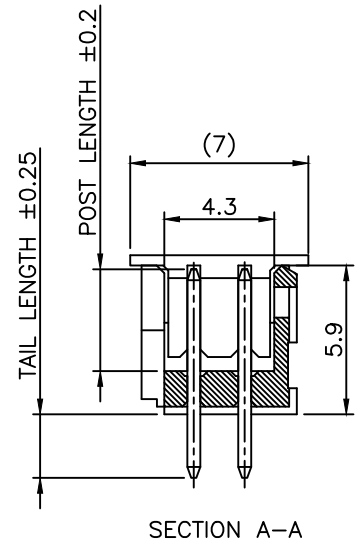
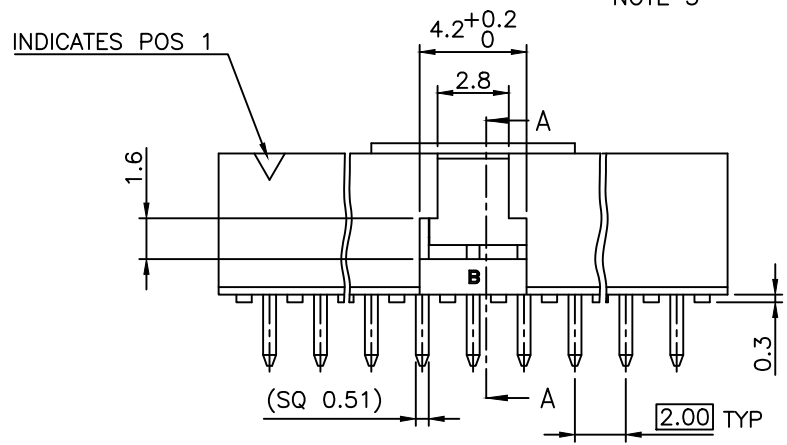
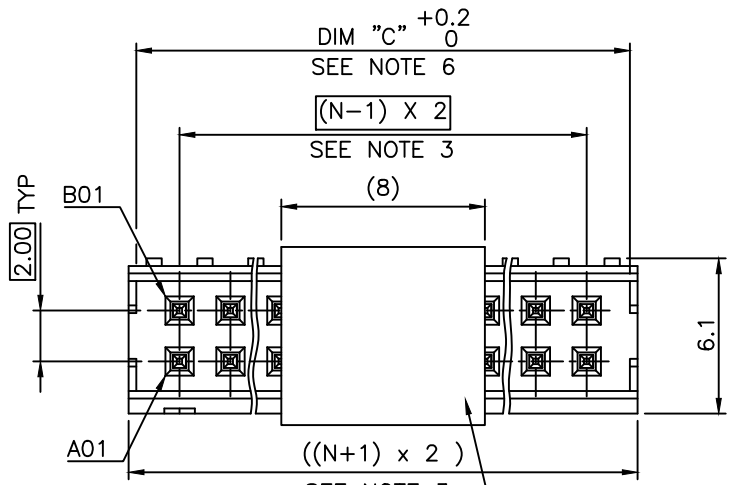
RoHS COMPATIBLE SEE NOTE 8

PACKAGING : U = TUBE

PIN STYLE SEE TABLE

TOTAL NB OF POSITIONS

- NOTES:
- MATERIAL HOUSING: HIGH TEMP. THERMOPLASTIC UL-94VO  
 - = STANDARD COLOR CREAM, MEETS GWIT 825°C AND GWFI 960°C  
 B = OPTIONAL COLOR BLACK, MEETS GWIT 825°C AND GWFI 960°C
  - MATERIAL TERMINAL: COPPER ALLOY
  - TO DETERMINE DIMENSIONS:  
 N = NUMBER OF POSITIONS PER ROW
  - 7N MIN. PIN RETENTION IN EITHER DIRECTION.
  - PACKAGING: SEE SHEET 2
  - DIM "C" = (N x 2) + 1.4  
 EXAMPLE: N = 7  
 DIM "C" = (7 x 2) + 1.4 = 15.4 mm
  - FOR POLARIZATION, SPECIFIED PIN  
 EXAMPLE : A03 = ROW A, POSITION 03 TO OMIT PIN  
 OMIT FROM PRODUCT NUMBER IF THIS FEATURE IS NOT APPLICABLE.
  - RoHS COMPATIBLE PRODUCT SPECIFICATIONS
    - a - PLATING:
      - "LF" MEANS THE PRODUCT IS LEAD-FREE, 2µm MINIMUM MATTE TIN OVER 1.27µm MINIMUM NICKEL UNDERPLATE.
    - b - MANUFACTURING PROCESS COMPATIBILITY
      - THE HOUSING WILL WITHSTAND EXPOSURE TO 260°C PEAK TEMPERATURE FOR 30 SECONDS MAX IN A CONVECTION, INFRA-RED, OR VAPOR PHASE OR REFLOW OVEN
      - THE HOUSING WILL WITHSTAND EXPOSURE TO 260°C ±5°C SOLDER BATH TEMPERATURE FOR 5 SECONDS IN A WAVE SOLDER APPLICATION WITH A 1.6mm MIN THICK CIRCUIT BOARD.
    - c - LABELLING:
      - MEETS PACKAGING SPECS AS PER GS-14-920
    - d - THIS PRODUCT MEETS EUROPEAN DIRECTIVES AND OTHER COUNTRY REGULATIONS AS DISCRIBED IN GS-47-0004
  - THIS PART SERIES IS NOT INITIALLY INTENDED FOR AUTOMOTIVE APPLICATIONS. ADDITIONAL FEES ARE CHARGEABLE FOR ANY ADDITIONAL QUALIFICATION AND TEST REPORTS PERFORMED OUTSIDE THE SCOPE OF THE STANDARD PRODUCT SPECIFICATIONS.
  - UNLESS OTHERWISE APPROVED BY AMPHENOL, ALL PARTS AND COMPONENTS ARE DESIGNED & BUILT ACCORDING TO AMPHENOL'S SPECIFICATIONS WHICH ARE SUBJECT TO CHANGE WITHOUT NOTICE.



mat'l. code		surface		tolerance		projection		product family	
SEE NOTES		ISO 1302		ISO 406 ISO 1101		mm		MINITEK	
ltr	ecn no	dr	date	tolerances unless otherwise specified		mm		title	
X	F-39558	DDE	21.01.07	angles	linear	.X ±0.3	SHR HEADER		
Y	F-46987	DDE	23.01.11			.XX ±0.15	2.00 VERTICAL TMT		
AA	F-54438	DDE	25.01.27			.XXX ±0.05	scale 5:1	dwg no	
AB	F-54937	DDE	25.03.12	dr	L.MULIN	04.09.27	sheet 1 of 3		
AC	F-56039	DDE	25.06.09	engr	J.COMPAGNON	04.09.27	size		
AD	F-58356	DDE	25.11.27	chr	J.COMPAGNON	04.09.27	A3		
				appd	J.COMPAGNON	04.09.27	type		
sheet	revision	AD	B	C			CUSTOMER Drawing		
index	sheet	1	2	3					

Amphenol FCI FCIconnect.com Copyright FCI

# EXTENDED RANGE

PRODUCT NUMBER  
98414-XXX-XX-XXXLF

PLATING (AS AVAILABLE)

S = 0.38µm GOLD/GXT ON CONTACT AREA  
2µm MIN MATTE TIN ON TAIL

G = 0.76µm GOLD/GXT ON CONTACT AREA  
2µm MIN MATTE TIN ON TAIL

F = GOLD FLASH ON CONTACT AREA  
2µm MIN MATTE TIN ON TAIL

T = 2.0-6.0µm FULL MATTE TIN  
1.27µm Ni MIN UNDERLAYER

RoHS COMPATIBLE, SEE NOTE 8

POLARIZATION, SEE NOTE 7 (AS AVAILABLE)

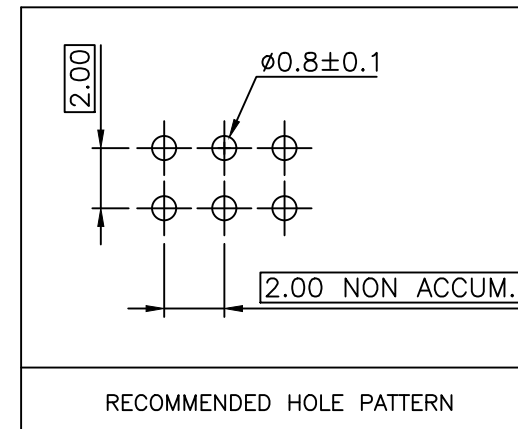
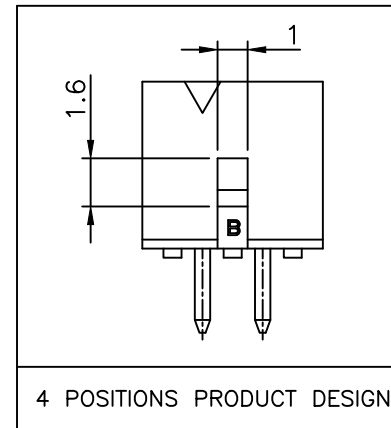
PACKAGING, SEE BELOW (MAY BE SUBJECT TO TOOLING FEES)

TOTAL NB OF POSITIONS, 04 TO 50 POS

COLOR OPTION NOTE 1 (AS AVAILABLE)

PIN STYLE (AS AVAILABLE)

PIN STYLE	POST LENGTH	TAIL LENGTH
04	4.00	2.00
06	4.00	2.50
08	4.00	3.10
10	4.00	3.70

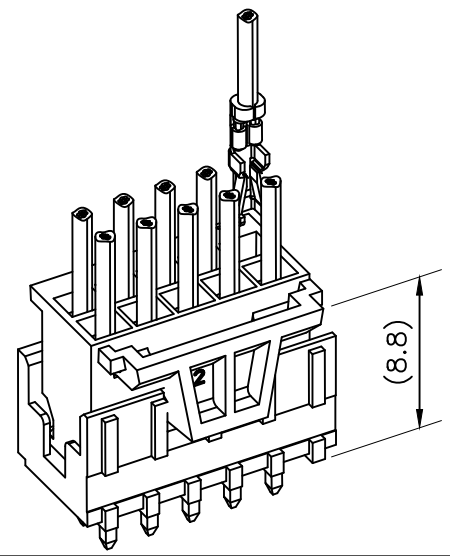
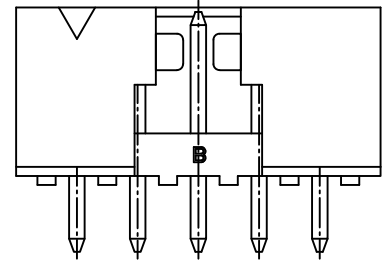
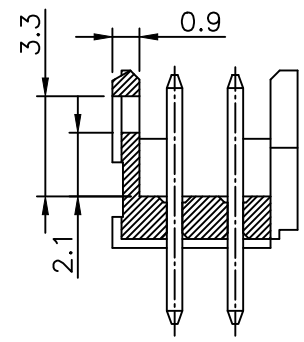
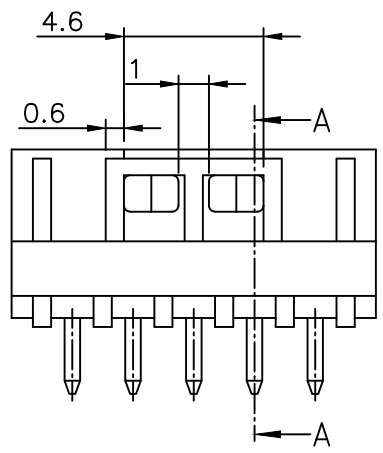
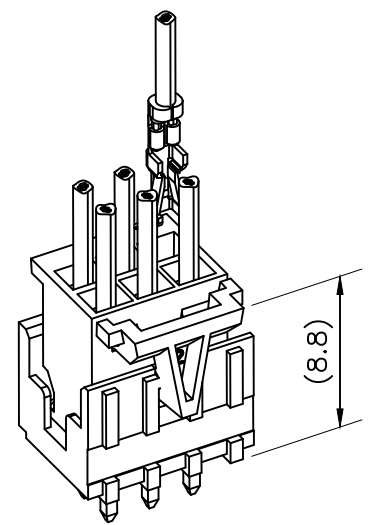
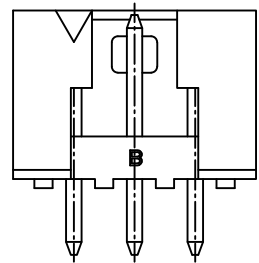
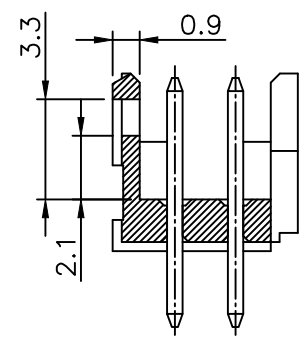
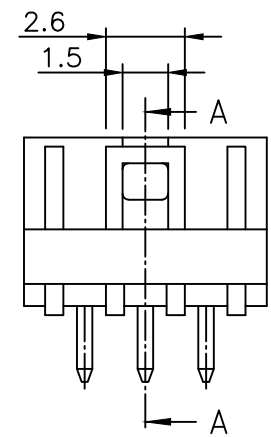


PACKAGING: (MAY BE SUBJECT TO TOOLING FEES)

- = STANDARD PACKAGING IN POLYBAGS
- = POLYBAGS PACKAGING WHEN POLARISATION FEATURE APPLICABLE
- B = TUBE WITH PICK-UP CAP FOR 12 UP TO 50 POS, ONLY AVAILABLE FOR PIN STYLE 04 & 06
- U = TUBE AVAILABLE FROM 06 TO 50 POS
- UV = TUBE WITHOUT PICK UP CAP FOR CUSTOMER DEDICATED PART
- A = TAPE & REEL WITH PICK UP CAP
- K = TAPE & REEL WITHOUT PICK UP CAP
- AV = TAPE & REEL WITH PICK UP CAP FOR CUSTOMER DEDICATED PART
- KV = TAPE & REEL WITHOUT PICK UP CAP FOR CUSTOMER DEDICATED PART

mat'l. code SEE NOTES				surface ISO 1302 ✓		tolerance ISO 406 ISO 1101		projection mm		product family MINITEK				
ltr	ecn no	dr	date	tolerances unless otherwise specified						title				
A	F-54438	DDE	25.01.27	angles	linear	.X ±0.3		mm		SHR HEADER 2.00 VERTICAL TMT				
B	F-58356	DDE	25.11.27			.XX ±0.15								
						.XXX ±0.05								
				dr	L.MULIN	04.09.27		Amphenol FCI		dwg no		sheet 2 of 3		size
				enr	J.COMPAGNON	04.09.27				98414				A3
				chr	J.COMPAGNON	04.09.27				type		CUSTOMER		Drawing
				appd	J.COMPAGNON	04.09.27								
sheet index		revision sheet												

2x3 POS AND 2x4 POS CONFIGURATION  
NO LATCHING AVAILABLE FOR 2x2 POS



2x5 POS UP TO 2x25 POS CONFIGURATION

LATCHING FEATURES WHEN USED IN COMBINATION  
WITH ACTIVE LATCH HOUSING 10073599

mat'l. code		surface		tolerance		projection		product family	
SEE NOTES		ISO 1302		ISO 406 ISO 1101				MINITEK	
ltr	ecn no	dr	date	tolerances unless otherwise specified		mm		title	
A	F08-0113	LMU	08.01.17	angles	linear	.x ±0.3		SHR HEADER	
B	F-39558	DDE	21.01.07			.xx ±0.15		2.00 VERTICAL TMT	
C	F-54438	DDE	25.01.27			.xxx ±0.05		scale 5:1	
		dr	L.MULIN			04.09.27		dwg no	
		enrg	J.COMPAGNON			04.09.27		sheet 3 of 3	
		chr	J.COMPAGNON			04.09.27		size	
		appd	J.COMPAGNON			04.09.27		A3	
sheet index	revision sheet							type	
								CUSTOMER Drawing	

