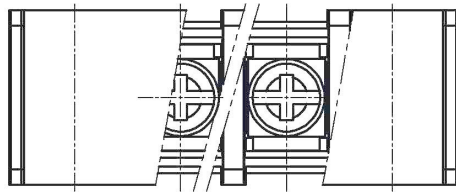
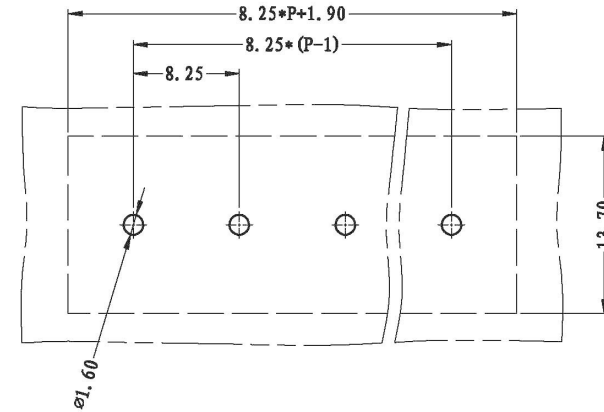
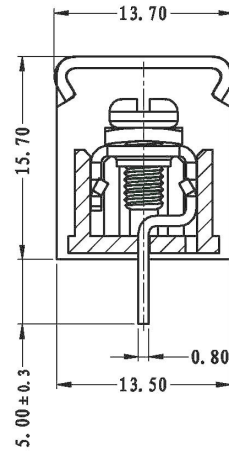
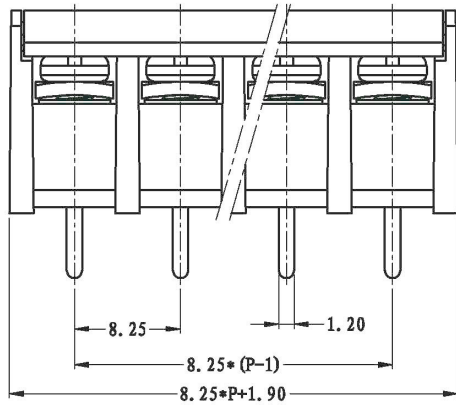


RoHS



NOTES:
 Pitch : 8.25mm
 Rated Voltage : 300V
 Rated Current : 20 A
 Withstand Voltage :
 AC2500V for 1 minute
 Insulation Resistance :
 5MΩ / DC500V
 Using Temperature Range :
 -40℃ ~ +130℃
 Wire range : 22~12 AWG
 Screw Torque Value : 0.5Nm

技术要求:
 间距: 8.25mm
 额定电压: 300V
 额定电流: 20A
 耐电压值: AC2500V/min
 绝缘阻抗: 5MΩ/DC500V
 使用条件: -40℃~+130℃
 适用线规: 22~12 AWG
 螺丝扭矩: 0.5Nm



	pitch dimension			Nominal dimension					— □ ○
	over 0 to 6	over 6 to 10	over 10 to 24	over 0 to 30	over 30 to 60	over 60 to 100	over 100 to 150		
variable range									
Tolerance	±0.1	±0.15	±0.25	±0.2	±0.3	±0.5	±0.7	±1.0	0.05/10

NO.	NAME OF PART	NO. OF PART	Q' TY	MATERIAL	NOTBS
4	LW2-7.62-盖板	5021C0YXXAV	1	PC	
3	M3*6-6*6	SQFFA306023V	P	碳钢	镀锌
2	LW1C-7.62-焊脚	5010B0001AV	P	黄铜	镀雾锡
1	LW2-8.25-本体	5017A0YXXAV	1	PBT	

REV	DATE	MODIFICATION DESCRIPTION	CHANGE	OPERATION		DRAW	黄喜俊	SCALE	FIT	UNIT	mm	SIZE	A4	SHEET	1/1	PROJ.	◆	PART NO.	1050200046	TITLE:	8.25端子台加盖1x3P
				X.X	±0.30																
				X.XX	±0.20	CHECK	卢能														
				X.XXX	±0.10	APPROVE	李双														
				Angle	±3'																
				DIM	TOL																

深圳市连盛精密连接器有限公司
 Shenzhen Liansheng Precision Connector Co., Ltd.