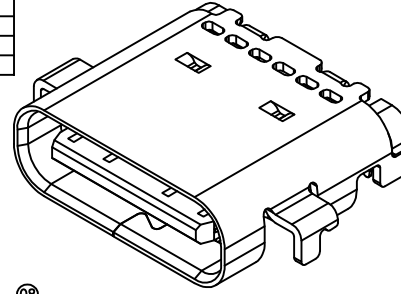


RoHS

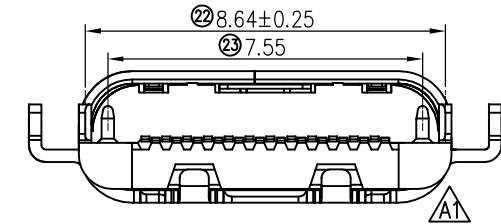
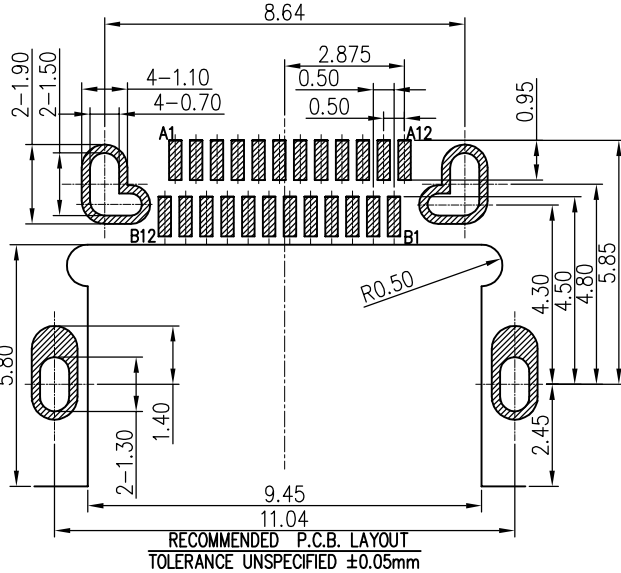
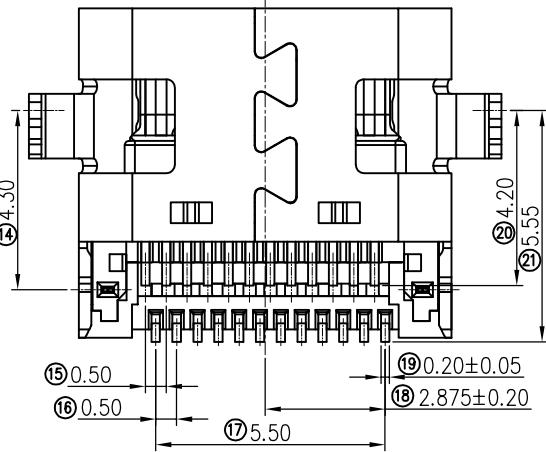
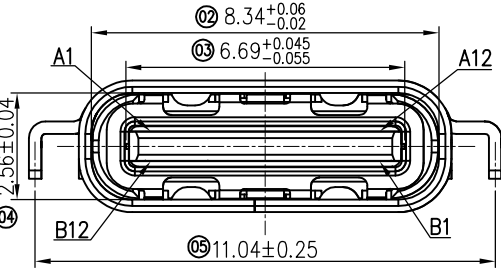
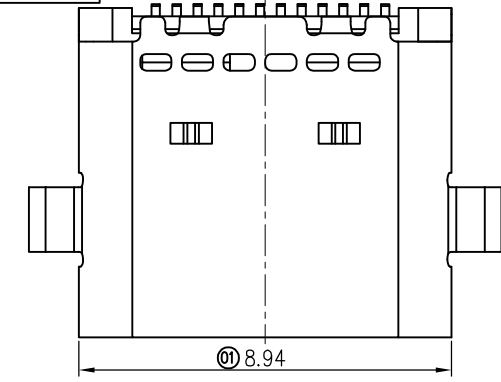
PIN NUMBER	SIGNAL NAME	PIN NUMBER	SIGNAL NAME
A1	GND	B12	GND
A2	SSTXp1	B11	SSRXp1
A3	SSTXn1	B10	SSRXn1
A4	VBUS	B9	VBUS
A5	CC1	B8	SBU2
A6	Dp1	B7	Dn2
A7	Dn1	B6	Dp2
A8	SBU1	B5	CC2
A9	VBUS	B4	VBUS
A10	SSRXn2	B3	SSTXn2
A11	SSRXp2	B2	SSTXp2
A12	GND	B1	GND

REV.	ECN.#	DESCRIPTION	NAME	DATE
A0		NEW RELEASE	liuhongping	2023.01.02
A1		塑胶后面加胶, 增加强度	liuhongping	2025.09.16



NOTES:

- MATERIAL:
 - HOUSING: PA9T UL94V-0; COLOR: BLACK
 - TERMINAL: C7025
 - SHELL: SUS304
 - MID PLATE: SUS301
 - EMI PLATE: SUS304
- FINISH:
 - TERMINAL: G/F PLATED ON CONTACT AREA; G/F PLATED ON SOLDER AREA; Ni 30u" MIN. UNDERPLATED OVERALL.
 - SHELL: Ni 30u" MIN. PLATED OVERALL
 - MID PLATE : 60u" TIN PLATED ON SOLDER AREA;
 - EMI PLATE : CLEANING.
- ELECTRICAL SPECIFICATION:
 - RATED CURRENT: VBUS AND GND PIN 5.0A; OTHER PIN 0.25A
 - CONTACT RESISTANCE: 40mΩ MAX(INITIAL). 50mΩ MAX (AFTER).
 - INSULATION RESISTANCE: 100MΩ MIN.
 - DIELECTRIC WITHSTANDING VOLTAGE: 100V AC R.M.S.
- MACHINERY SPECIFICATION:
 - MATING FORCE: 5N~20N. UNMATING FORCE: 8N~20N. (AFTER TEST:6N~20N).
 - DURABILITY: 10000 CYCLES MIN.
- ENVIRONMENTAL SPECIFICATION:
 - OPERATING CONDITION: TEMPERATURE -40°C~+85°C; HUMIDITY 80% R.H MAX
 - SALT SPRAY: 24H
 - SOLDER ABILITY: 245±5°C, 5±0.5s
 - IR REFLOW: THE PEAK TEMPERATURE ON THE BOARD SHALL BE MAINTAINED FOR 10 SECONDS AT 260°C.



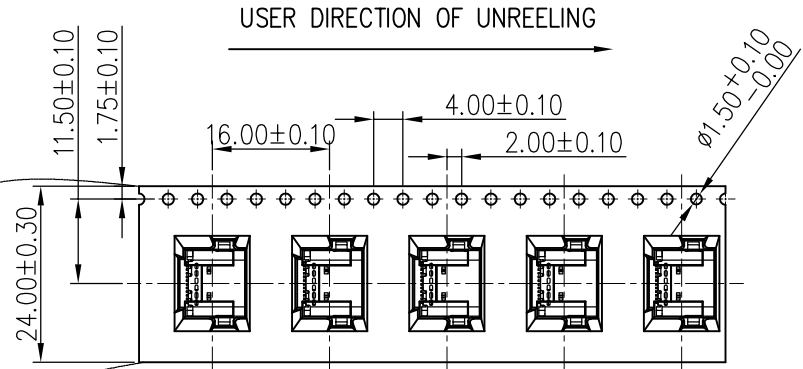
MILLIMETERS	INCH
X* ±2*	X* ±2*
X ±0.30	.X ±0.012
XX ±0.20	.XX ±0.008
XXX ±0.10	.XXX ±0.004

THESE DRAWINGS AND SPECIFICATIONS ARE THE PROPERTY OF DongGuan JinBiLai Metal Plastic Technology Co.,Ltd
 COPIED OR USED IN ANY MANNER WITHOUT THE PRIOR WRITTEN CONSENT OF DongGuan JinBiLai Metal Plastic Technology Co.,Ltd

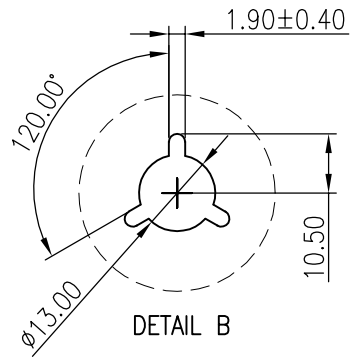
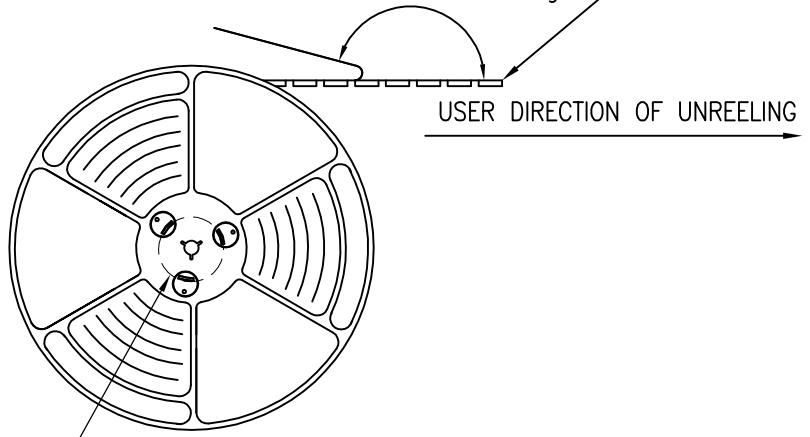
JBL 东莞市金比莱五金塑胶科技有限公司
 DONGGUAN JBL TECH CO., LTD

TITLE	USB4.0 TYPE C 母座 24PIN 沉板1.60 双排SMT L7.90 四脚插板 一体成型	DR	
PART NO.	1040110632	CHKD	
PRO J.	PAGE 1/2 UNITS mm	APPD	
SIZE	A4 SCALE 1:1 DIS NO.		

RoHS

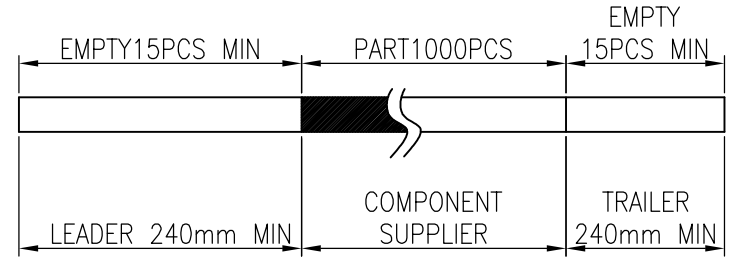


COVER TAPE PEELING ANGLE: 165°~180°
PEELING FORCE: 20~130g

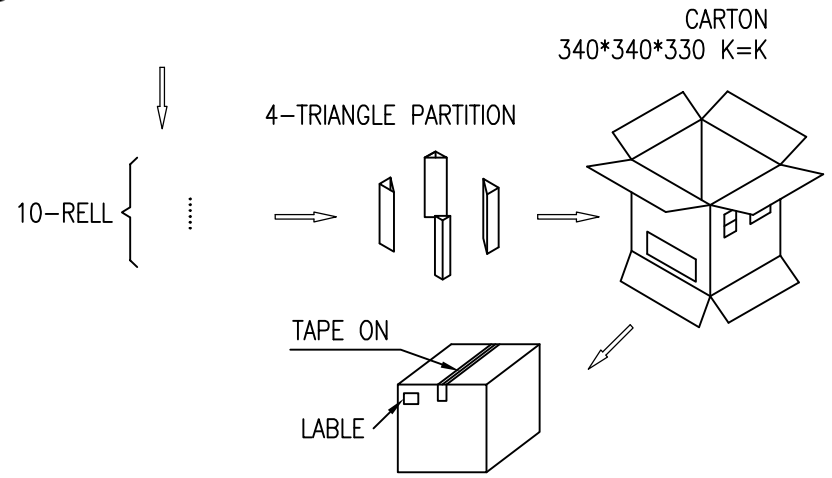


NOTES

1. NUMBER OF CONNECTORS: 1000PCS/REEL
2. LEAD TAPE LENGTH



3. QUANTITY: 10000PCS/CARTON



MILLIMETERS	INCH
X.* ±2*	X.* ±2*
X ±0.30	.X ±0.012
XX ±0.20	.XX ±0.008
XXX ±0.10	.XXX ±0.004

THESE DRAWINGS AND SPECIFICATIONS ARE THE PROPERTY OF DongGuan JinBiLai Metal Plastic Technology Co.,Ltd
COPIED OR USED IN ANY MANNER WITHOUT THE PRIOR WRITTEN CONSENT OF DongGuan JinBiLai Metal Plastic Technology Co.,Ltd

JBL 东莞市金比莱五金塑胶科技有限公司
DONGGUAN JBL TECH CO., LTD

TITLE	USB4.0 TYPE C 母座 24PIN 沉板 L.60 双排SMT L7.90 四脚插板 一体成型			DR	
PART NO.	1040110632			CHKD	
PRO J.	PAGE	2/2	UNITS	mm	APPD
SIZE	A4	SCALE	1:1	DIS NO.	