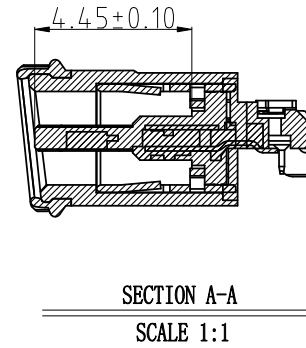
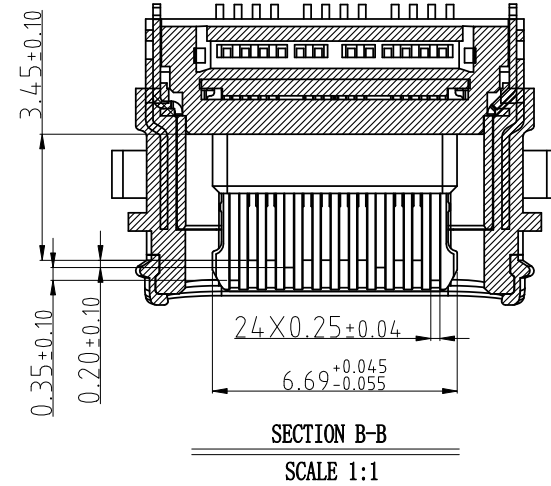
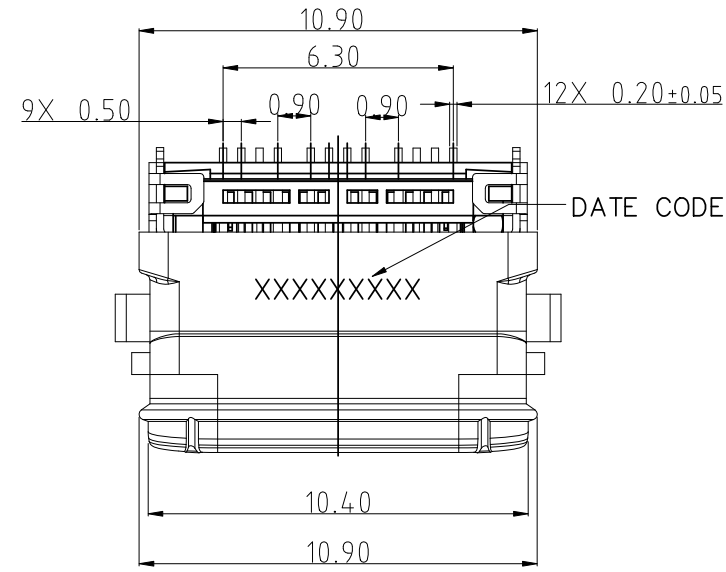


This document is the property of Amphenol Corporation and is delivered on the express condition that it is not to be disclosed, reproduced or used, in whole or in part, for manufacture or sale by anyone other than Amphenol Corporation without its prior consent, & that no right is granted to disclose or to use any information in this document.

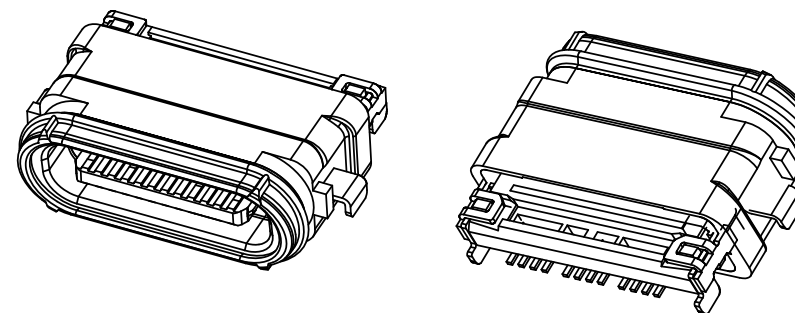
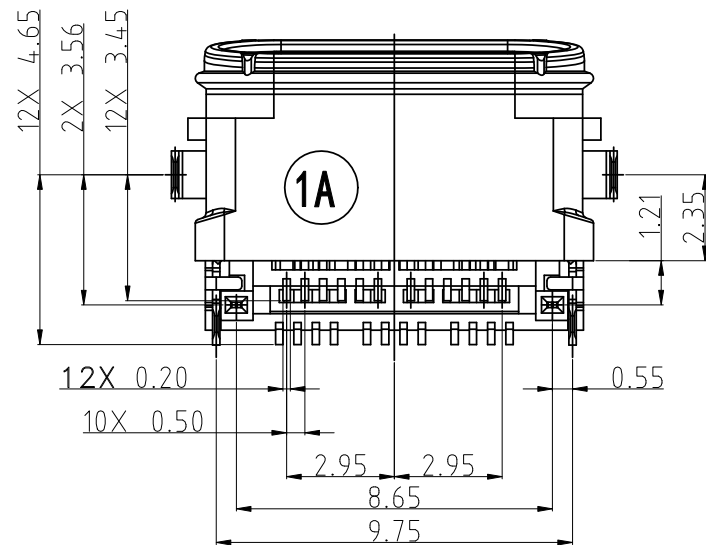
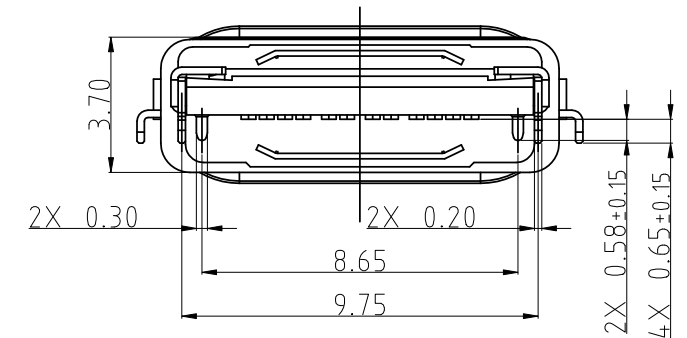
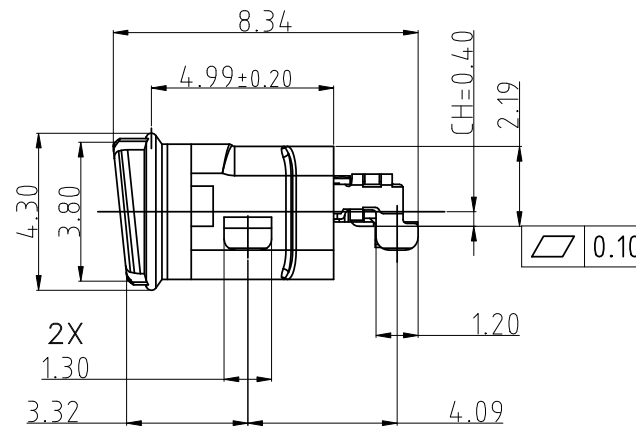
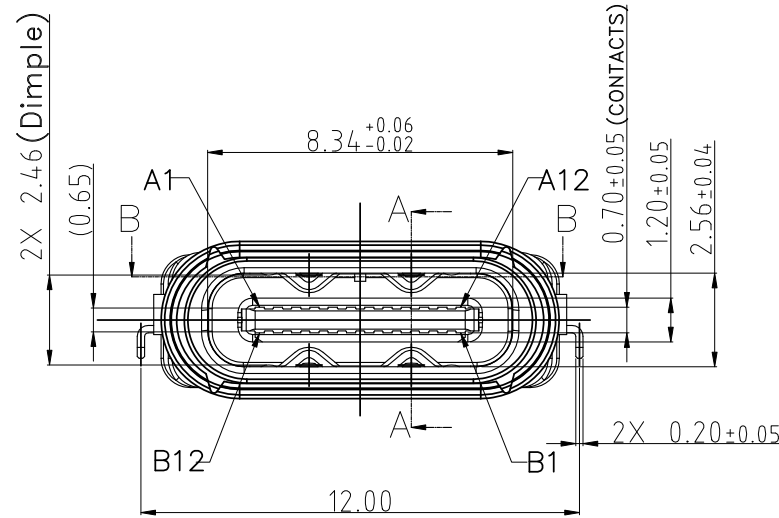
CUSTOMER DRAWING

REVISIONS

SYM	ECN	DESCRIPTION	DATE	APPROVED
1	HK***	FIRST RELEASE	2024/06/14	Michael.Qin



Pin No	Signal Name	Mating Sequence	Pin No	Signal Name	Mating Sequence
A1	GND	First	B12	GND	First
A2	TX1+	Second	B11	RX1+	Second
A3	TX1-	Second	B10	RX1-	Second
A4	Vbus	First	B9	Vbus	First
A5	CC1	Second	B8	SBU2	Second
A6	D+	Second	B7	D-	Second
A7	D-	Second	B6	D+	Second
A8	SBU1	Second	B5	CC2	Second
A9	Vbus	First	B4	Vbus	First
A10	RX2-	Second	B3	TX2-	Second
A11	RX2+	Second	B2	TX2+	Second
A12	GND	First	B1	GND	First



ITEM	DESCRIPTION	Q'TY	MATERIAL	FINISH
8	LIM	1	SILICA GEL	BLACK
7	SOLDER PIN	1	STAINLESS STEEL	SOLDER NICKEL: 50U" MIN
6	SHELL HOUSING	1	High-TEMP. PLASTIC	BLACK
5	SHELL	1	STAINLESS STEEL	SOLDER NICKEL: 50U" MIN
4	TOP TERMINAL	1	COPPER ALLOY	MATING SIDE:30U" AU MIN; SOLDER TAIL:GOLD FLASH, 50U" NICKEL OVERALL.
3	BOTTOM TERMINAL	1	COPPER ALLOY	MATING SIDE:30U" AU MIN; SOLDER TAIL:GOLD FLASH, 50U" NICKEL OVERALL.
2	MID PLATE	1	STAINLESS STEEL	SOLDER NICKEL: 50U" MIN
1	MAIN HOUSING	1	High-TEMP. PLASTIC	BLACK

UNLESS OTHERWISE SPECIFIED TOLERANCES		APPROVAL		DATE	
.X	+/-	0.50	DRAWN	Zhuqi.Lu	06/14/24
.XX	+/-	0.25	CHECKED	Michael.Qin	06/14/24
.XXX	+/-	0.10	CHECKED		
FRACTIONS	+/-		DRAWING FILE :		
ANGLES	+/-	3°	ANGLE OF PROJECTION		
REMOVE SHARP EDGES		DIMENSIONS			
U.S. INCHES		U.S. INCHES			
(METRIC) (MM)		(METRIC) (MM)			
TITLE		SIZE		DRAWING NO.	
Customer Drawing For		A3		12402448E512A	
USB 3.2, Type C connector, R/A ,		SCALE		NONE	
Middle mount, Double SMT type, CH=0.40mm,		SHEET		1 OF 2	
Water proof IPX8		REV.		1	

This document is the property of Amphenol Corporation and is delivered on the express condition that it is not to be disclosed, reproduced or used, in whole or in part, for manufacture or sale by anyone other than Amphenol Corporation without its prior consent, & that no right is granted to disclose or to use any information in this document.

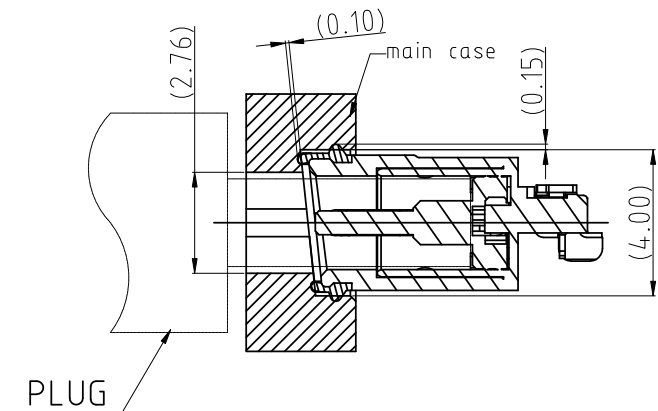
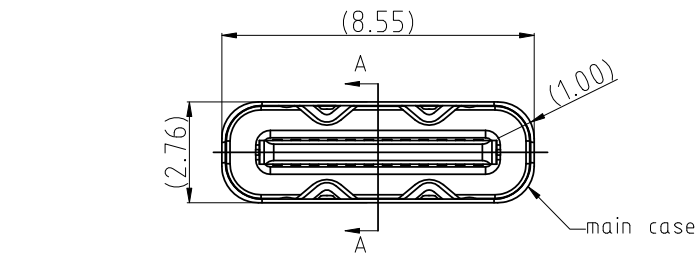
CUSTOMER DRAWING

REVISIONS

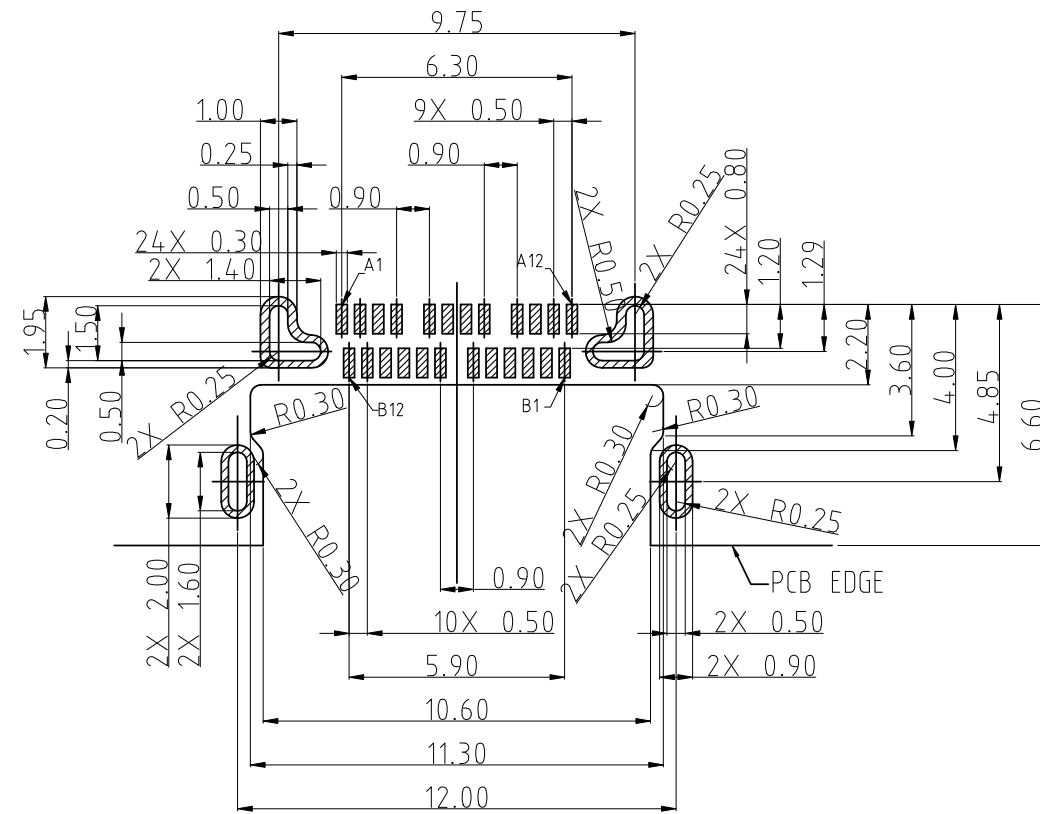
SYM	ECN	DESCRIPTION	DATE	APPROVED
SEE PAGE 1				

NOTES/注释:

- MATERIAL/材料: SEE BILL OF MATERIAL/见材料清单
- GENERAL SPECIFICATION/通用特性:
 - COPLANARITY /共面度: 0.10 Max.
 - CURRENT RATING: 5.0A / 额定电流: 5.0安培
 - CONTACT RESISTANCE: 40mΩ MAX (INITIAL).
INSULATION RESISTANCE: 100MΩ Min
接触电阻: 40毫欧最大(初始值) / 绝缘电阻: 100MΩ Min
 - DIELECTRIC WITHSTANDING VOLTAGE: 100 VAC
耐电压: 100伏交流
 - MECHANICAL CHARACTERISTICS:
INSERTION FORCE: 5~20N EXTRACTION FORCE: 8~20N
AFTER DURABILITY EXTRACTION FORCE: 6~20N
力学特性: 初始插入力: 5~20N 拔出力: 8~20N
耐久后拔出力: 6~20N
 - DURABILITY: 10000 CYCLES / 耐久性: 10000次
 - PACKAGING TYPE: CARRIER TAPE./ 包装类型: 载带包装
- WATERPROOF CLASS IPX8/防水等级 IPX8
- DIMENSIONING SHALL BE INTERPRETED PER ASME Y14.5M 1994.
尺寸标注基于ASME Y14.5M 1994标准规范
- MATERIAL SHOULD BE FULFILLED AMPHENOL SPEC.# S-SN-002, FOR HALOGEN FREE PRODUCTS, ALSO NEED TO MEET S-SN-004.
产品材料环保标准为Amphenol SSN#002,如果是无卤产品需满足标准SSN#004
- ORDER P/N SYSTEM/产品料号编码系统: 12402448XX12A



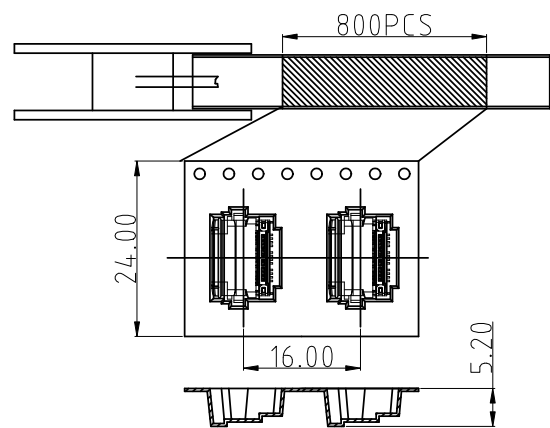
SECTION A-A
PANEL CUT-OUT REFERENCE



RECOMMENDED PCB LAYOUT
(Tolerance=±0.05)

Plating Spec:
E5: Mating Area: Au 30u" Min
Solder Area: Gold flash
50u"Min Nickel Under Plating Over All

A:HF
 Package Spec.
 2:Reel
 Date Code Description
 0:Without D/C
 1:With D/C



customer unwinding direction

PICKING:
1.800PCS/REEL
2.10REEL/BOX

PACK DIRECTION



UNLESS OTHERWISE SPECIFIED TOLERANCES		APPROVAL	DATE	Amphenol Amphenol East Asia Limited	
.X	+/-	DRAWN	Zhuqi.Lu		06/14/24
.XX	+/-	CHECKED	Michael.Qin		06/14/24
.XXX	+/-	CHECKED			
FRACTIONS	+/-	DRAWING FILE :			
ANGLES	+/-	ANGLE OF PROJECTION			
REMOVE SHARP EDGES					
DIMENSIONS					
U.S.	INCHES	SIZE DRAWING NO.			
(METRIC)	(MM)	A3 12402448E512A		REV. 1	
		SCALE	NONE	SHEET 2 OF 2	