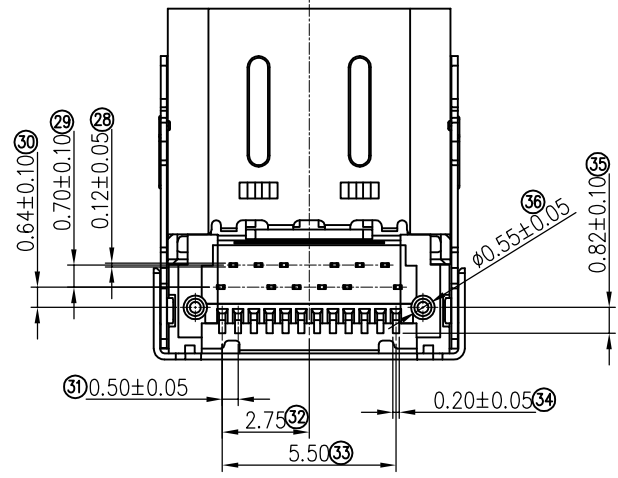
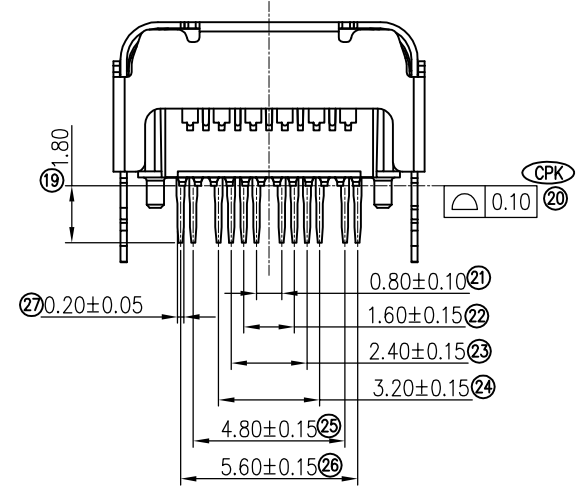
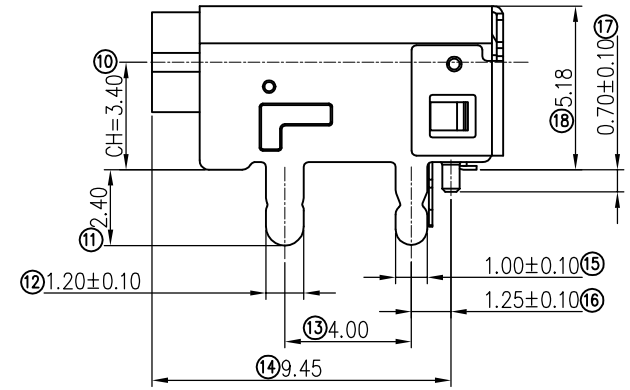
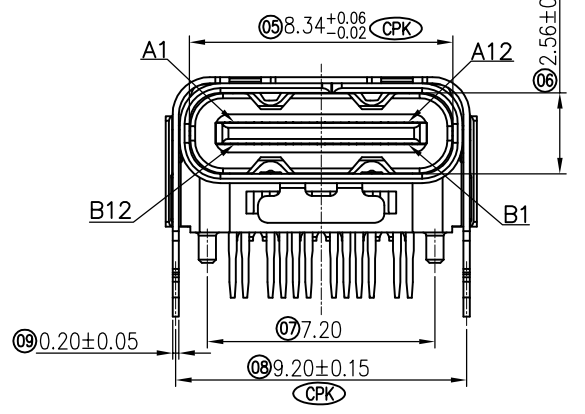
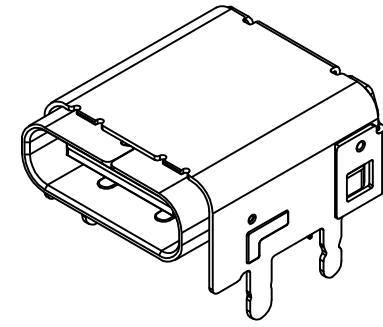
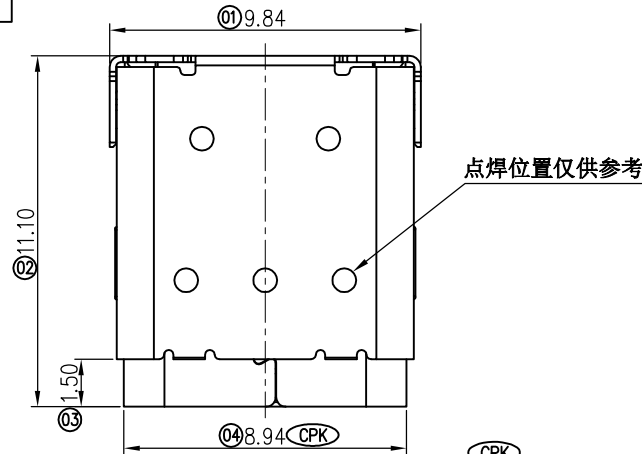


RoHS

REV.	ECN.#	DESCRIPTION	NAME	DATE
A0		NEW RELEASE	liuhongping	2023.01.02

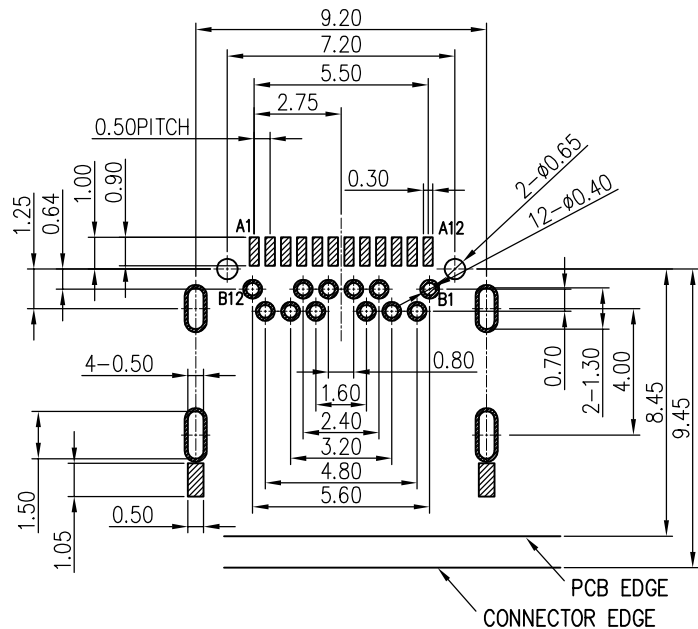


MILLIMETERS	INCH
X.* ±2*	X.* ±2*
.X ±0.30	.X ±0.012
.XX ±0.20	.XX ±0.008
.XXX ±0.10	.XXX ±0.004

		东莞市金比莱五金塑胶科技有限公司 DongGuan JinBiLai Metal Plastic Technology Co.,Ltd			
		TITLE	TYPE C 24PIN 前插后贴 垫高3.40MM 脚长1.8	DR	
PART NO.		104015892-B	CHKD		
PRO J.		PAGE 1/2	UNITS mm	APPD	
SIZE		A4	SCALE 1:1	DIS NO.	

THESE DRAWINGS AND SPECIFICATIONS ARE THE PROPERTY OF DongGuan JinBiLai Metal Plastic Technology Co.,Ltd. COPIED OR USED IN ANY MANNER WITHOUT THE PRIOR WRITTEN CONSENT OF DongGuan JinBiLai Metal Plastic Technology Co.,Ltd

RoHS



RECOMMENDED P.C.B LAYOUT (COMPONENT SIDE)
PCB THICKNESS: ±0.05mm

备注:

1. 材质:

- 1.1 塑胶: LCP UL94V-0; 颜色: 黑色
- 1.2 端子: C7025
- 1.3 外壳/护套: SUS304
- 1.4 中夹片: SUS301

2. 电镀:

- 2.1 端子: 接触区镀金3U"; 焊接区镀雾锡50U"MIN; 整体镀镍50U"MIN
- 2.2 外壳/护套: 镀镍50U"MIN
- 2.3 中夹片: 清洗

3. 电气性能:

- 3.1 额定电流: VBUS PIN 5A; GND PIN 1.25A; 其他接触端子 0.25A
- 3.2 接触阻抗: 40mΩ MAX. 测试后 50mΩ MAX
- 3.3 绝缘阻抗: 100MΩ MIN
- 3.4 耐压: 100V AC R.M.S

4. 机械性能:

- 4.1 插入力: 5-20N
拔出: 8-20N 测试后6-20N
- 4.2 寿命: 10000次.

5. 环境性能:

- 5.1 工作温度: 温度-40° C~+85° C;
湿度 80% R.H MAX
- 5.2 盐雾: 24H

6. 焊锡: 245±5° C, 5±0.5s

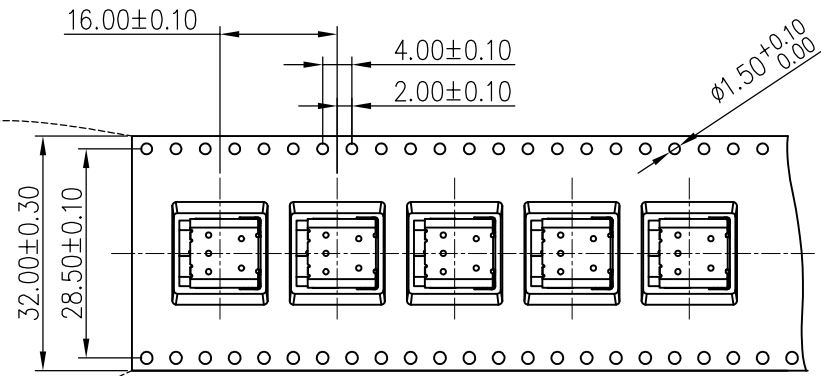
7. IR 炉: 220°C 的回流焊60S Min, 且保持260+0/-5°C 10S Min

A1	GND	B12	GND
A2	SSTXP1	B11	SSRXP1
A3	SSTXN1	B10	SSRXN1
A4	VBUS	B9	VBUS
A5	CC1	B8	SBU2
A6	DP1	B7	DN2
A7	DN1	B6	DP2
A8	SBU1	B5	CC2
A9	VBUS	B4	VBUS
A10	SSRXN2	B3	SSTXN2
A11	SSRXP2	B2	SSTXP2
A12	GND	B1	GND
PIN	SIGNAL NAME	PIN	SIGNAL NAME

MILLIMETERS	INCH	东莞市金比莱五金塑胶科技有限公司			
X.* ±2*	X.* ±2*	DongGuan JinBiLai Metal Plastic TechnologyCo.,Ltd			
.X ±0.30	.X ±0.012	TITLE	TYPE C 24PIN 前插后贴	DR	
.XX ±0.20	.XX ±0.008	PART NO.	104015892-B	CHKD	
.XXX ±0.10	.XXX ±0.004	PRO J.	PAGE 1/2	UNITS mm	APPD
THESE DRAWINGS AND SPECIFICATIONS ARE THE PROPERTY OF DongGuan JinBiLai Metal Plastic Technology Co.,Ltd		SIZE	A4	SCALE 1:1	DIS NO.
COPIED OR USED IN ANY MANNER WITHOUT THE PRIOR WRITTEN CONSENT OF DongGuan JinBiLai Metal Plastic Technology Co.,Ltd					

RoHS

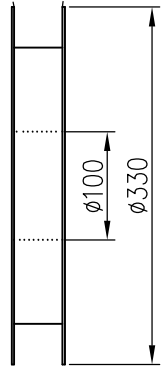
客户拉出方向



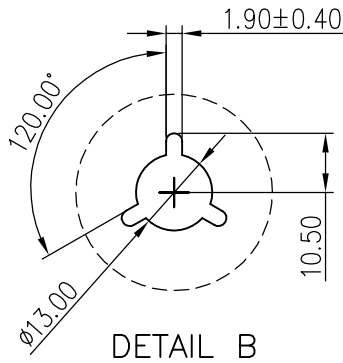
盖带剥离角度: 165° ~ 180°
 剥离力: 20~130g

载带

客户拉出方向



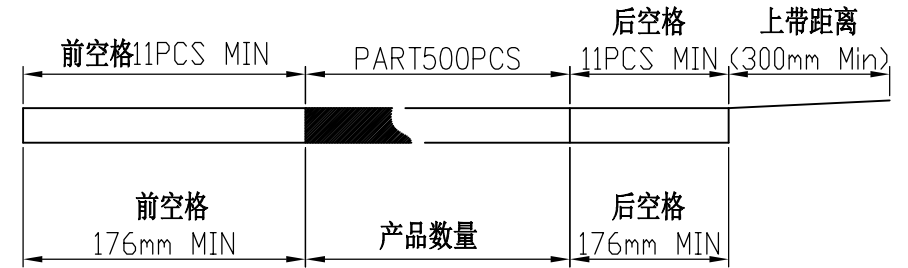
DETAIL B



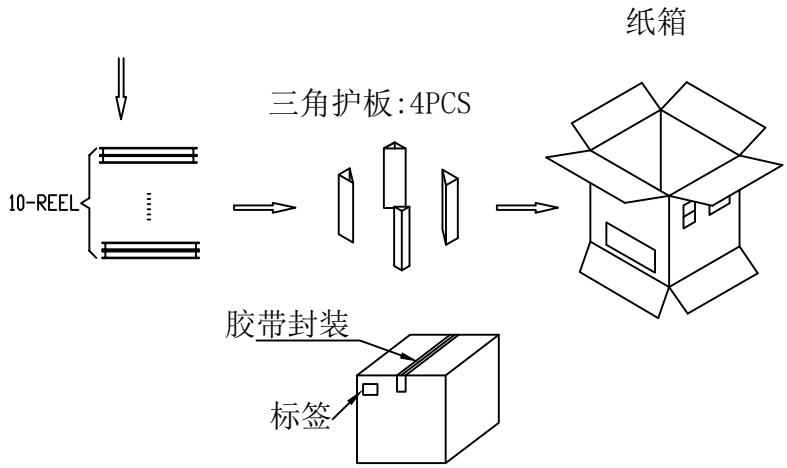
DETAIL B

备注

1. 卷装数量: 500PCS/REEL
2. 载带总长度



3. 每箱包装数量: 5000PCS/CARTON



MILLIMETERS	INCH
X.* ±2*	X.* ±2*
.X ±0.30	.X ±0.012
.XX ±0.20	.XX ±0.008
.XXX ±0.10	.XXX ±0.004



东莞市金比莱五金塑胶科技有限公司
 DongGuan JinBiLai Metal Plastic TechnologyCo.,Ltd

THESE DRAWINGS AND SPECIFICATIONS ARE THE PROPERTY OF DongGuan JinBiLai Metal Plastic Technology Co.,Ltd. COPIED OR USED IN ANY MANNER WITHOUT THE PRIOR WRITTEN CONSENT OF DongGuan JinBiLai Metal Plastic Technology Co.,Ltd

TITLE	TYPE C 24PIN 前插后贴 垫高3.40MM 脚长1.8	DR		
PART NO.	104015892-B	CHKD		
PRO J.	PAGE 3/3 UNITS mm	APPD		
SIZE	A4 SCALE 1:1 DIS NO.			