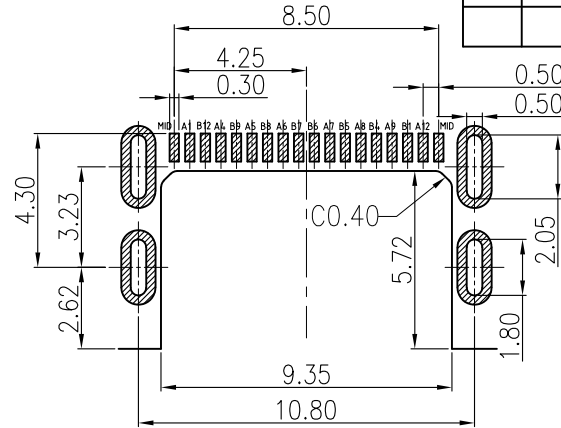
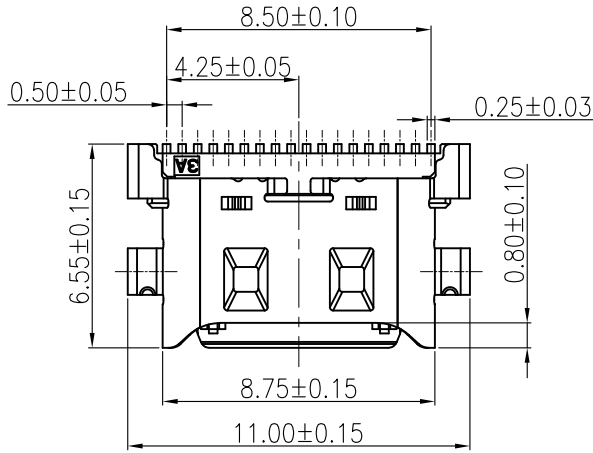


RoHS

REV.	EC#	DESCRIPTION	DATE	DRAWING	CHECKED	APPROVED
X0		NEW RELEASE	01/16'21	XZ		MOON



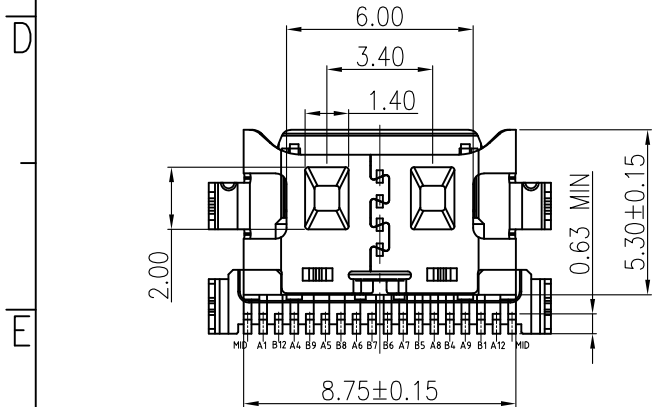
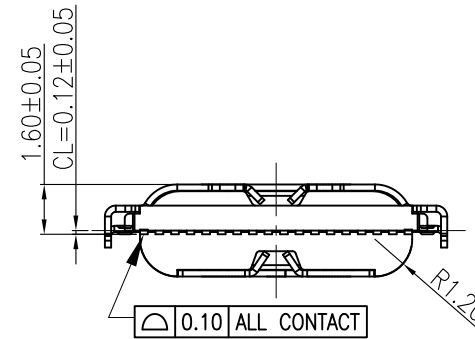
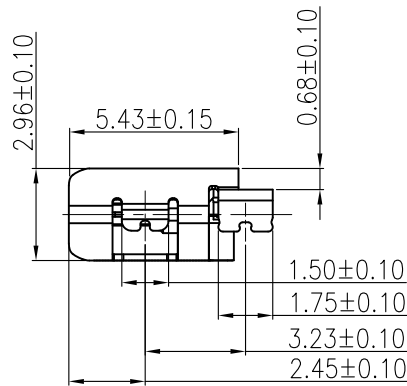
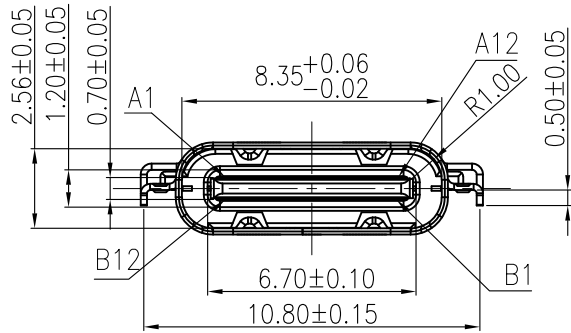
RECOMMENDED P.C.B. LAYOUT  
TOLERANCE UNSPECIFIED ±0.05mm

NOTES:

SPECIFICATION:

- CURRENT RATING: 3.0A MAX
- VOLTAGE: 100 VAC
- TEMPERATURE RANGE: -30 °C ~ 85 °C
- CONTACT RESISTANCE: 40 MILLIONHM MAX
- INSULATION RESISTANCE: 100 MEGOHMS MIN.
- INSERTION FORCE : 5N~20N
- UNMATING FORCE: 8N~20N
- DURABILITY: 10,000 CYCLES

Pin	Name	Pin	Name
A1	GND	B12	GND
	SSTXp1		SSRXp1
	SSTXn1		SSRXn1
A4	VBUS	B9	VBUS
A5	CC1	B8	SBU2
A6	Dp1	B7	Dn2
A7	Dn1	B6	Dp2
A8	SBU1	B5	CC2
A9	VBUS	B4	VBUS
	SSRXn2		SSTXn2
	SSRXp2		SSTXp2
A12	GND	B1	GND

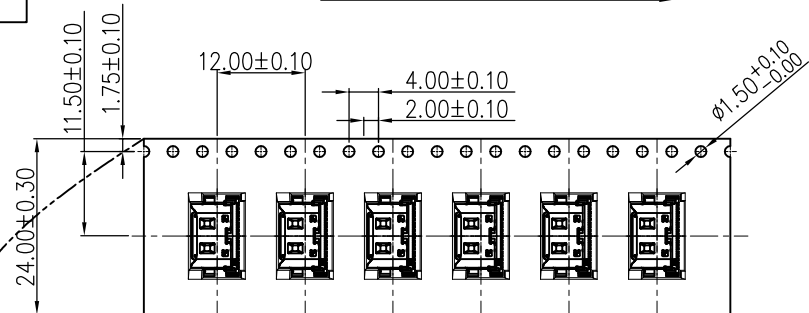


NO.	DESCRIPTION	MATERIAL	REMARKS	QTY
7	SHELL	SUS304	NI Plated	1PCS
6	OVER MOLDING	LCP	BLACK	1PCS
5	TOP I/M	LCP	BLACK	1PCS
4	BOTTOM I/M	LCP	BLACK	1PCS
3	MID PLATE	SUS301	NI Plated	1PCS
2	CONTACT	C7025	G/F PLATED ON CONTACT AREA; Tin 50u" MIN PLATED ON SOLDER AREA;	1SET
1	CONTACT	C7025	Ni 20u" MIN. UNDERPLATED OVERALL.	1SET

MILLIMETERS	INCH	UNITS	DongGuan JinBiLai Metal Plastic Technology Co.,Ltd		
X° ± 2'	X° ± 2'	MM	PART NUMBER: 104033692		
.X ± 0.38	.XX ± 0.015	MAT'L			
.XX ± 0.25	.XXX ± 0.010	SEE NOTES	TITLE: TYPE C 16PIN沉板SMT H=3.0 板上H1.6 L=6.55 (尾部有缺口)		
.XXX ± 0.15	.XXXX ± 0.006	FINISH			
THESE DRAWINGS AND SPECIFICATIONS ARE THE PROPERTY OF DongGuan JinBiLai Metal Plastic Technology Co.,Ltd. COPIED OR USED IN ANY MANNER WITHOUT THE PRIOR WRITTEN CONSENT OF DongGuan JinBiLai Metal Plastic Technology Co.,Ltd			APPD:		
			DWG NO.: C-104033692-00		
			CHKD:	SCALE	SHEET
			DR:	1:1	1/2
				REV.	A0

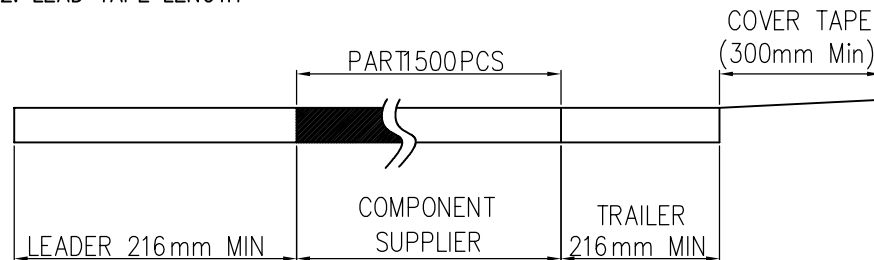
RoHS

User Direction of Unreeling



NOTES

1. NUMBER OF CONNECTORS: 1500PCS/REEL
2. LEAD TAPE LENGTH

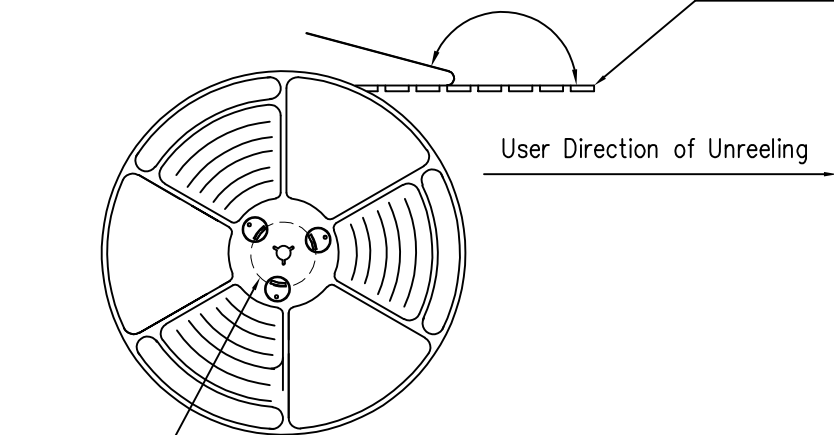


3. QUANTITY: 15000PCS/CARTON

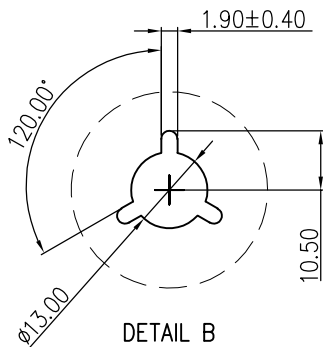
COVER TAPE PEELING ANGLE:  $165^{\circ} \sim 180^{\circ}$   
PEELING FORCE: 20~130g

CARRIER TAPE

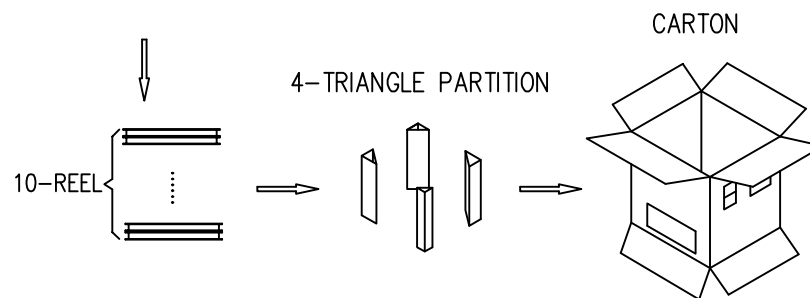
User Direction of Unreeling



DETAIL B



DETAIL B



TAPE ON

LABEL

MILLIMETERS	INCH	UNITS	MM	东莞市金比莱五金塑胶科技有限公司 DongGuan JinBiLai Metal Plastic Technology Co.,Ltd		
$X^{\circ} \pm 2'$	$X^{\circ} \pm 2'$	MAT'L		PART NUMBER: 104033692		TITLE: TYPE C 16PIN沉板SMT H=3.0 板上H1.6 L=6.55(尾部有缺口)
$.X \pm 0.38$	$.XX \pm 0.015$	SEE NOTES		APPD:		DWG NO.: C-104033692-00
$.XX \pm 0.25$	$.XXX \pm 0.010$	FINISH		CHKD:		SCALE SHEET REV. 1:1 2/2 A0
$.XXX \pm 0.15$	$.XXXX \pm 0.006$	SEE NOTES		DR:		
THESE DRAWINGS AND SPECIFICATIONS ARE THE PROPERTY OF DongGuan JinBiLai Metal Plastic Technology Co.,Ltd. COPIED OR USED IN ANY MANNER WITHOUT THE PRIOR WRITTEN CONSENT OF DongGuan JinBiLai Metal Plastic Technology Co.,Ltd				QTY		
				SEE NOTES		