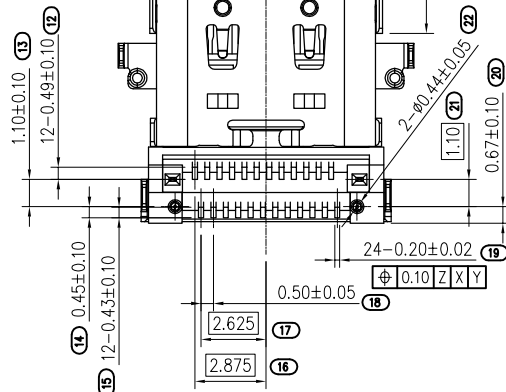
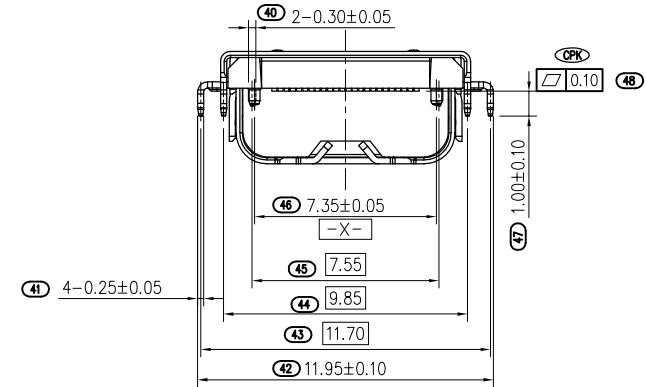
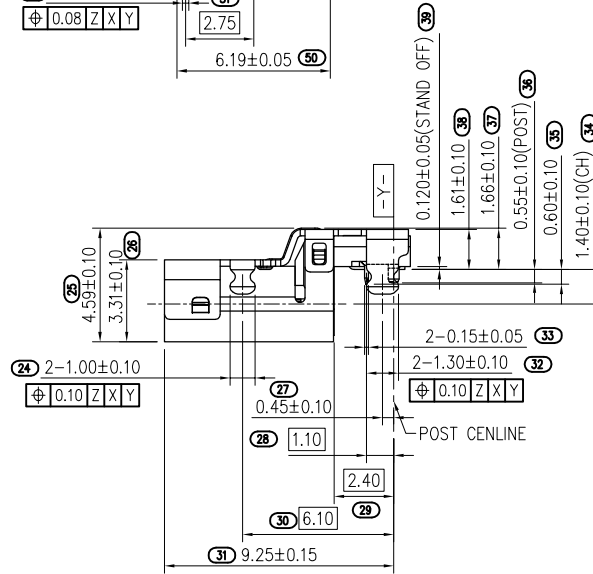
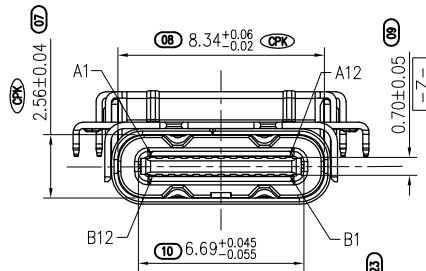
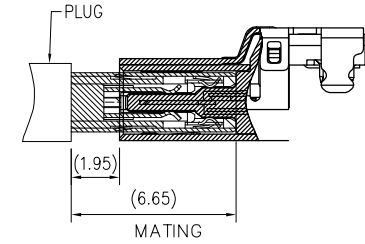
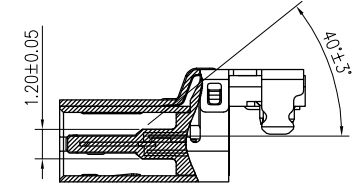
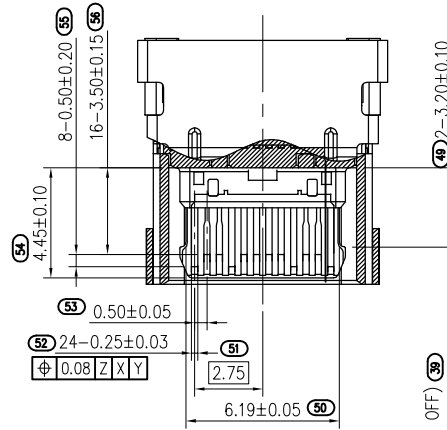
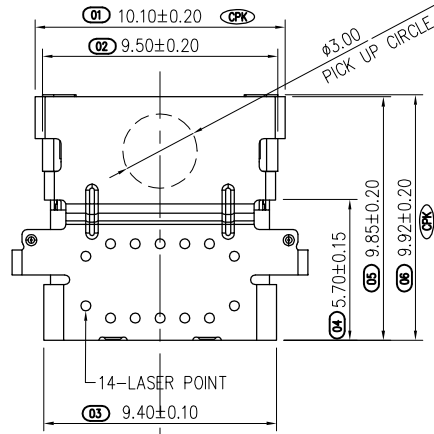


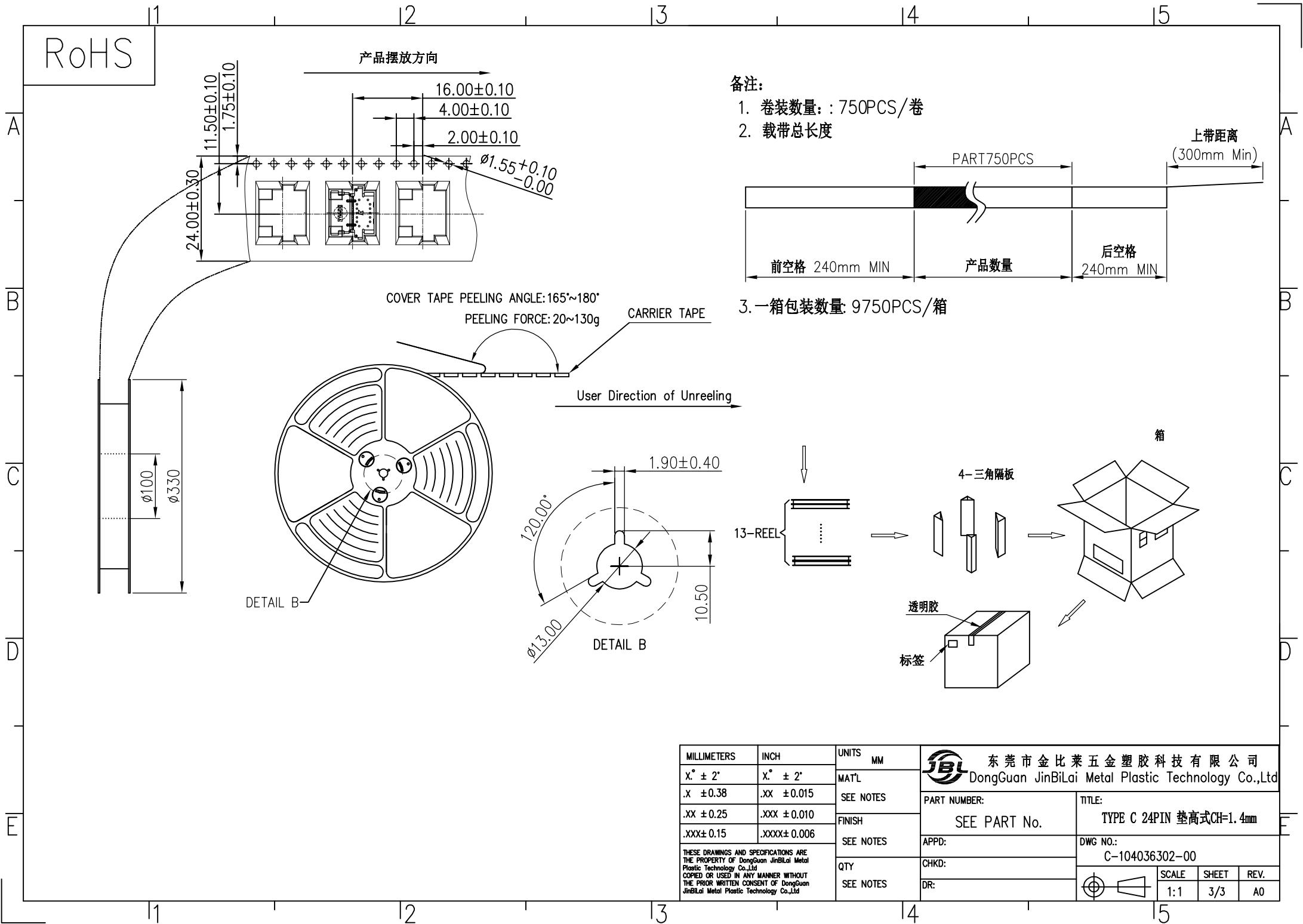
RoHS

REV.	ECN NO.	DESCRIPTION	DATE	DRAWING	CHECKED	APPROVED
AO	----	NEW RELEASE	2022.08.15	JY	XieYun	HuangTao



MILLIMETERS	INCH	UNITS	MM	东莞市金比莱五金塑胶科技有限公司 DongGuan JinBiLai Metal Plastic Technology Co.,Ltd
X. ^o ± 2'	X. ^o ± 2'	MAT'L		
.X ± 0.38	.XX ± 0.015	SEE NOTES		
.XX ± 0.25	.XXX ± 0.010	FINISH		
.XXX ± 0.15	.XXXX ± 0.006	SEE NOTES		
THESE DRAWINGS AND SPECIFICATIONS ARE THE PROPERTY OF DongGuan JinBiLai Metal Plastic Technology Co.,Ltd. COPIED OR USED IN ANY MANNER WITHOUT THE PRIOR WRITTEN CONSENT OF DongGuan JinBiLai Metal Plastic Technology Co.,Ltd.				PART NUMBER: SEE PART No.
QTY SEE NOTES				TITLE: TYPE C 24PIN 垫高式CH=1.4mm
DR:				APPD: DWG NO.: C-104036302-00
				SCALE: 1:1 SHEET: 1/3 REV: A0

RoHS



备注:

1. 卷装数量: : 750PCS/卷
2. 载带总长度

MILLIMETERS	INCH	UNITS	MM
X. ^o ± 2'	X. ^o ± 2'	MAT'L	
.X ± 0.38	.XX ± 0.015	SEE NOTES	
.XX ± 0.25	.XXX ± 0.010	FINISH	
.XXX ± 0.15	.XXXX ± 0.006	SEE NOTES	
THESE DRAWINGS AND SPECIFICATIONS ARE THE PROPERTY OF DongGuan JinBiLai Metal Plastic Technology Co.,Ltd. COPIED OR USED IN ANY MANNER WITHOUT THE PRIOR WRITTEN CONSENT OF DongGuan JinBiLai Metal Plastic Technology Co.,Ltd			
QTY	SEE NOTES	CHKD:	
		DR:	
		东莞市金比莱五金塑胶科技有限公司 DongGuan JinBiLai Metal Plastic Technology Co.,Ltd	
		PART NUMBER:	TITLE:
		SEE PART No.	TYPE C 24PIN 垫高式CH=1.4mm
		APPD:	DWG NO.:
			C-104036302-00
		SCALE	SHEET
		1:1	3/3
		REV.	A0