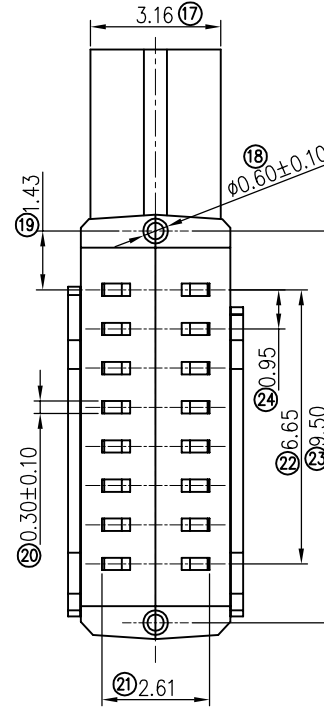
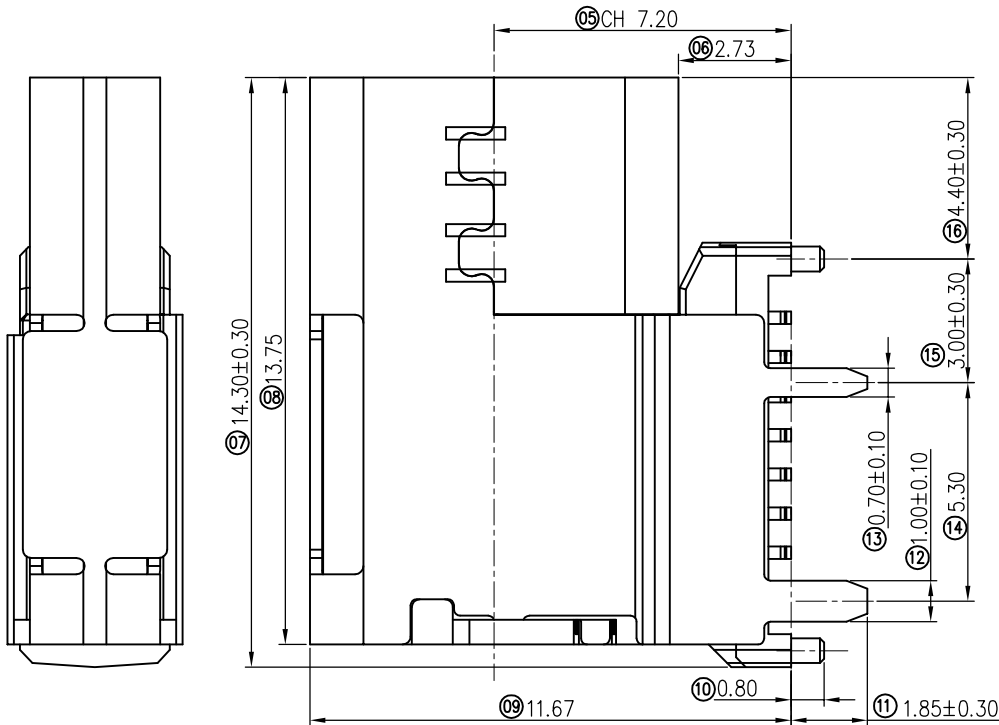
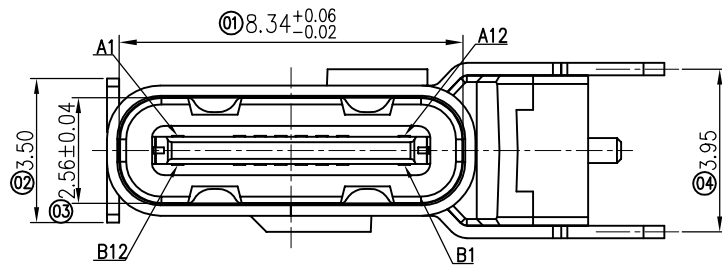


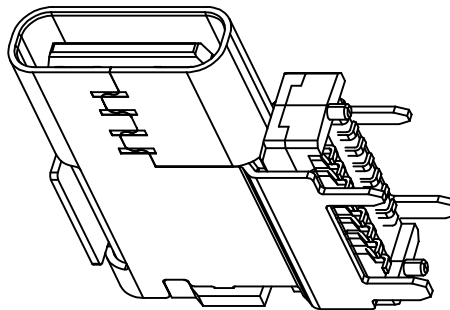
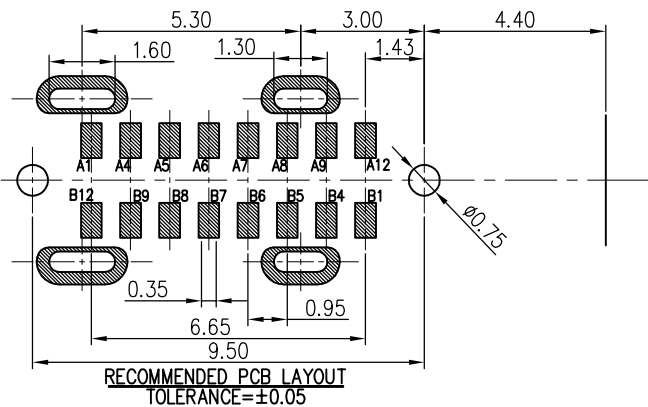
RoHS

REV.	ECN.#	DESCRIPTION	NAME	DATE
A0		NEW RELEASE	liuhongping	2023.01.02



NOTES:

- MATERIAL:
 - HOUSING: LCP UL94V-0; COLOR: BLACK
 - TERMINAL: C2680
 - SHELL: SUS201
 - MID PLATE: SUS201
- FINISH:
 - TERMINAL: G/F PLATED ON CONTACT AREA; TIN 50u" MIN PLATED ON SOLDER AREA; Ni 20u" MIN. UNDERPLATED OVERALL.
 - SHELL: Ni 20u" MIN. PLATED OVERALL
 - MID PLATE: CLEANING.
- ELECTRICAL SPECIFICATION:
 - RATED CURRENT: VBUS AND GND PIN 3.0A; Other pin 0.25A
 - CONTACT RESISTANCE: 40mΩ MAX(INITIAL). 50mΩ MAX (AFTER).
 - INSULATION RESISTANCE: 100MΩ MIN.
 - DIELECTRIC WITHSTANDING VOLTAGE: 100V AC R.M.S.
- MACHINERY SPECIFICATION:
 - MATING FORCE: 5N~20N. UNMATING FORCE: 8N~20N. (AFTER TEST:6N~20N).
 - DURABILITY: 10000 CYCLES MIN.
- ENVIRONMENTAL SPECIFICATION:
 - OPERATING CONDITION: TEMPERATURE -40°C~+85°C; HUMIDITY 80% R.H MAX
 - SALT SPRAY: 24H(CONTACT)
 - SOLDER ABILITY: 245±5°C, 5±0.5s
 - IR REFLOW: THE PEAK TEMPERATURE ON THE BOARD SHALL BE MAINTAINED FOR 10 SECONDS AT 260°C.



A1	GND	B12	GND
A4	VBUS	B9	VBUS
A5	CC1	B8	SBU2
A6	DP1	B7	DN2
A7	DN1	B6	DP2
A8	SBU1	B5	CC2
A9	VBUS	B4	VBUS
A12	GND	B1	GND
PIN	SIGNAL NAME	PIN	SIGNAL NAME

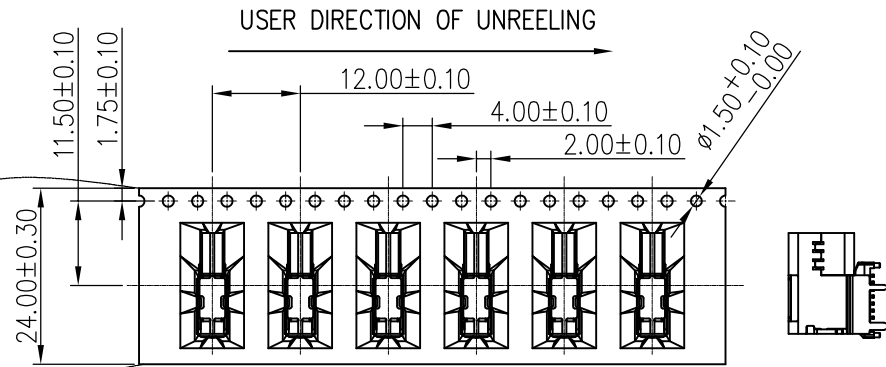
MILLIMETERS	INCH
X.* ±2*	X.* ±2*
X ±0.30	.X ±0.012
XX ±0.20	.XX ±0.008
XXX ±0.10	.XXX ±0.004

THESE DRAWINGS AND SPECIFICATIONS ARE THE PROPERTY OF DongGuan JinBiLai Metal Plastic Technology Co.,Ltd
 COPIED OR USED IN ANY MANNER WITHOUT THE PRIOR WRITTEN CONSENT OF DongGuan JinBiLai Metal Plastic Technology Co.,Ltd

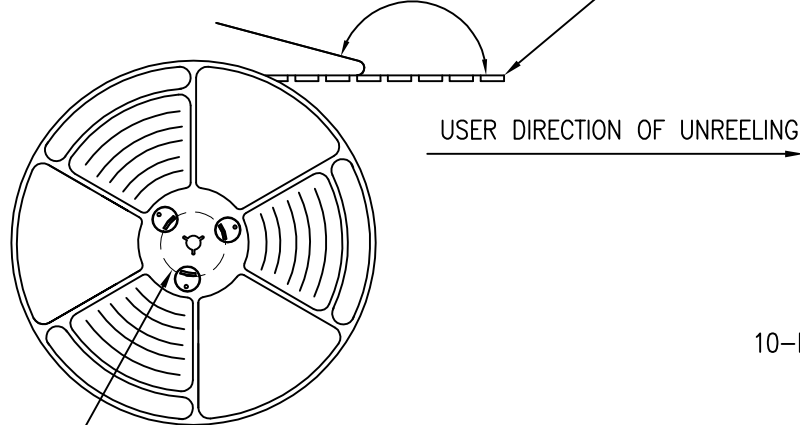
JBL 东莞市金比莱五金塑胶科技有限公司
 DONGGUAN JBL TECH CO., LTD

TITLE	TYPE C 16P侧贴 CH=7.2	DR	
PART NO.	1044111742	CHKD	
PRO J.	PAGE 1/2	UNITS mm	APPD
SIZE	A4	SCALE 1:1	DIS NO.

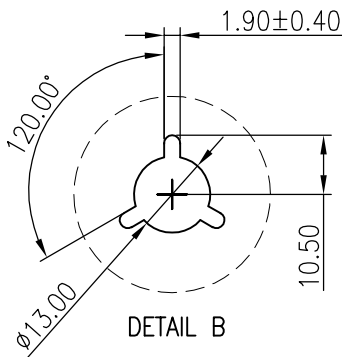
RoHS



COVER TAPE PEELING ANGLE: $165^\circ \sim 180^\circ$
 PEELING FORCE: $20 \sim 130g$

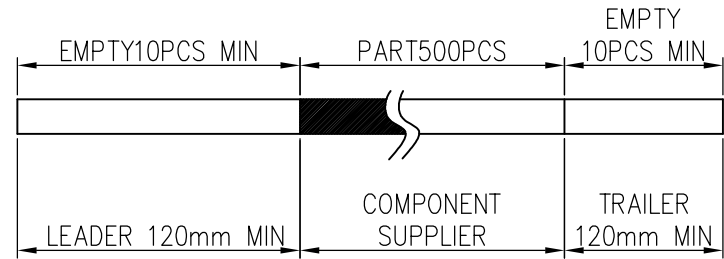


DETAIL B

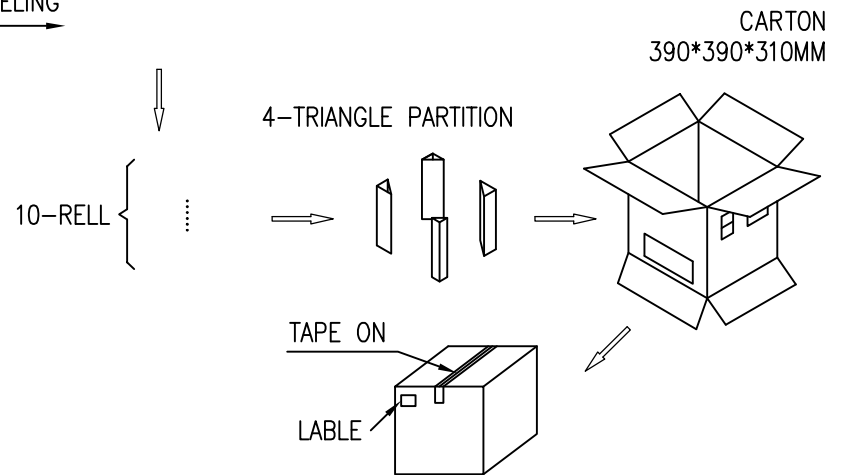


NOTES

1. NUMBER OF CONNECTORS: 500PCS/REEL
2. LEAD TAPE LENGTH



3. QUANTITY: 5000PCS/CARTON



MILLIMETERS	INCH	东莞市金比莱五金塑胶科技有限公司 DONGGUAN JBL TECH CO., LTD			
X* $\pm 2^*$	X* $\pm 2^*$	TITLE	TYPE C 16P侧贴 CH=7.2		DR
X ± 0.30	.X ± 0.012		PART NO. 1044111742		CHKD
XX ± 0.20	.XX ± 0.008	PRO J.	PAGE 2/2	UNITS mm	APPD
XXX ± 0.10	.XXX ± 0.004		SIZE A4	SCALE 1:1	DIS NO.
THESE DRAWINGS AND SPECIFICATIONS ARE THE PROPERTY OF DongGuan JinBiLai Metal Plastic Technology Co.,Ltd COPIED OR USED IN ANY MANNER WITHOUT THE PRIOR WRITTEN CONSENT OF DongGuan JinBiLai Metal Plastic Technology Co.,Ltd					