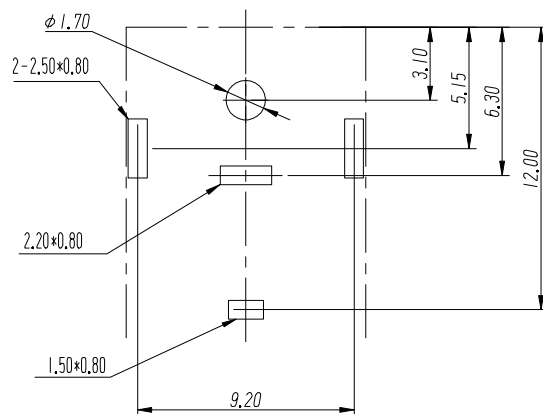
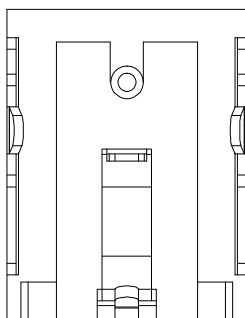
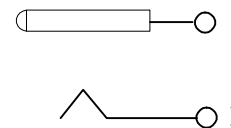


PCB LAYOUT
TOP VIEW (TOLERANCE:±0.05)



SCHMATIC



技术特性:

- 使用条件: -30~70°
- 额定负荷: DC30V 10A
- 接触电阻: ≤0.02Ω
- 绝缘电阻: ≥100mΩ DC250V
- 耐压: AC250V(50Hz)/min
- 插拔力: 3~15N
- 寿命: 5000次

序号	名称	数量	材料	备注
5	平片	1	磷铜0.65 δ=0.50mm	D. Cu/Sn
4	插针PIN	1	H59黄铜棒(Y)	D. Cu/Sn
3	外壳	1	H62黄铜带 δ=0.4mm	D. Cu/Sn
2	弹片	1	磷铜0.65 δ=0.30mm	D. Sn/Sb
1	底座	1	PA9T	黑

GENERAL TOLERANCES		
0.X	±0.30	X° ±3°
0.XX	±0.20	
0.XXX	±0.10	X.X° ±1°
UNIT	SIZE	SCALE
MM	A4	1:1

DRAWN		C	TITLE: 电源插座
DESIGN		PART NO.	DC-0102-10A-**-9T
CHECKED		PRODUCT NO.	
APPROVED		DRAWING NO.	
		UNIT: mm	SCALE: 1:1 REV:01-1 SHT:10F1

浙江创都电子科技有限公司

ECN NO.	REV	DATE	DESCRIPTION	MDF'D	APP'D
	01	2022.04.26	NEW DRAWING RELEASE		