

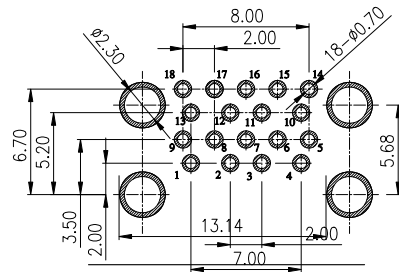
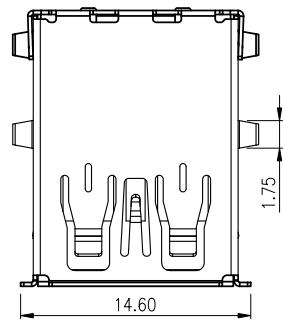
RoHS

MAPX

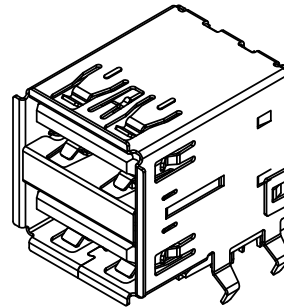
MODIFICATION

DRW

DATE



RECOMMENDED PCB LAYOUT(TOP VIEW)
GENERAL TOLERANCES:±0.05



NOTE:

1. MATERIAL:

- 1.1 INSULATOR:HIGH TEMPERATURE PLASTIC
- 1.2 CONTACT:BRASS
- 1.3 SHELL:BRASS

2. ELECTRICAL CHARACTERISTICS;

- 2.1 CONTACT RESISTANCE:30mΩ MAX
- 2.2 CONTACT CURRENT RATING:1.5A
- 2.3 DIELECTRIC WITHSTANDING VOLTAGE:100 V R. M. S.
- 2.4 INSULATION RESISTANCE 100 MΩ MIN
- 2.5 OPERATING TEMPERATURE:-30° C ~ 80° C

3 MECHANICAL CHARACTERISTICS:

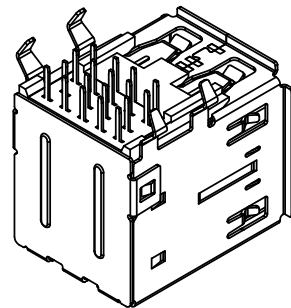
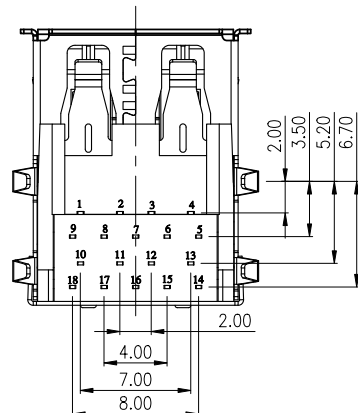
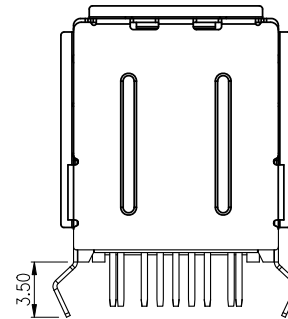
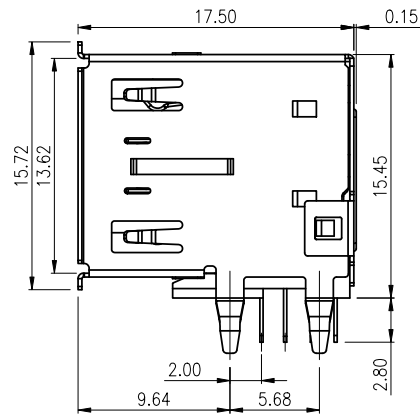
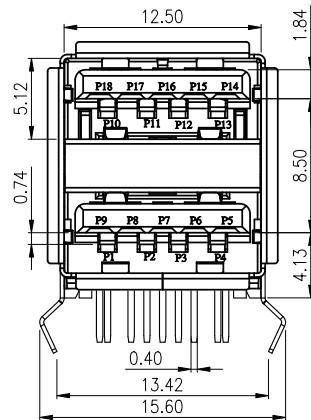
- 3.1 MATING FORCE:3.57kgf MAX
- 3.2 UNMATING FORCE:1.02kgf MIN
- 3.3 DURABILITY:MANDATORY:1,500 CYCLES

4. PLATING

4.1 TERMINAL:

- 50u" MIN NICKEL ALL OVER
- 100u"MIN Tin ON SOLDER AREA
- (1~30)u"Au ON CONTACT AREA

4.2 SHELL:80u"MIN. NICEL ALL OVER



P1	VBUS	P10
P2	D-	P11
P3	D+	P12
P4	GND	P13
P5	StdA_SSRX-	P14
P6	StdA_SSRX+	P15
P7	GND	P16
P8	StdA_SSTX-	P17
P9	StdA_SSTX+	P18
PIN	SIGNAL NAME	PIN

BLUE HOUSING-IRON	SPCC, T=0.25mm, Nickel plating 80u"	PBT UL94 V0, BLUE	C2680-EH, T=0.20, Plating Gild/Tin G/F
REMARK	SHELL	HOUSING	TERMINAL

<p>产品图 PRODUCT CHART DWG</p> <p>公差一览表 TOLERANCE UNLESS OTHERWISE</p>		<p>深圳市精拓金电子有限公司 Shenzhen Jing Tuo Jin Electronics Co., Ltd.</p>							
X.	±0.35	X.	±5.°	单位 UNITS	MM	制图 DRAWING	L-S-S	产品料号 PRODUCT PART NO.	907-112A1057D10201
.X	±0.25	.X	±2.°	比例 SCALE	1:1	审核 CHKD	Erick	产品名称 PRODUCT NO.	AF3.0双层90度17.5弯脚有边平弹铜壳PBT蓝胶N
.XX	±0.20	.XX	±1.°	日期 DATE	2021-03-10	核准 APPD	黄国荣	角法 VIEW	⊕ ⊖
.XXX	±0.05	.XXX	±0.5°					版本 VER	A0