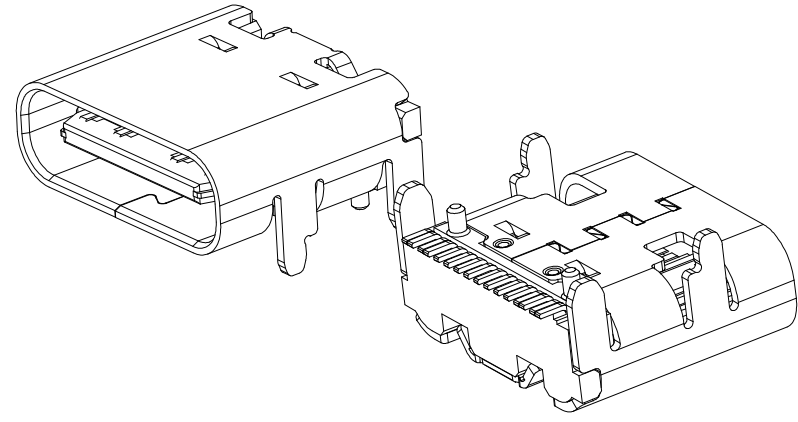
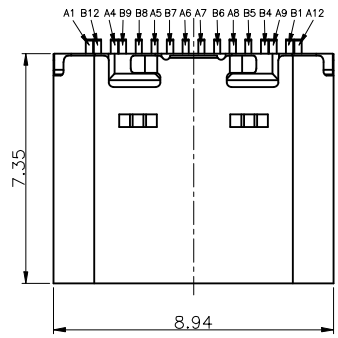
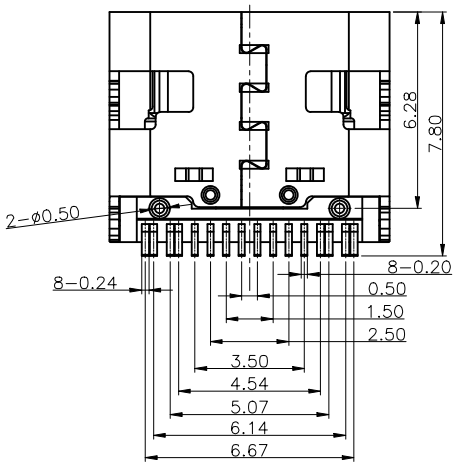
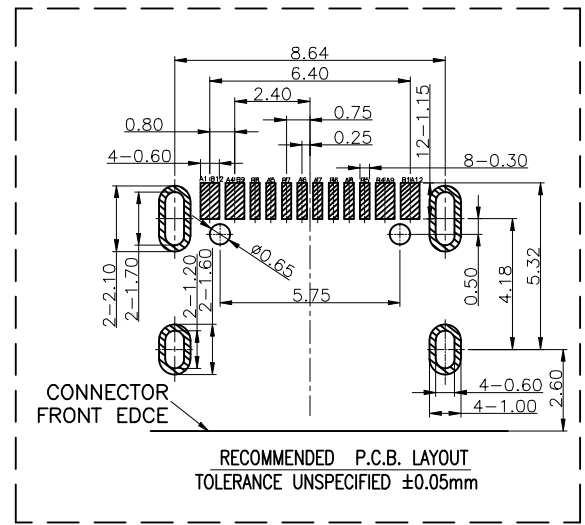
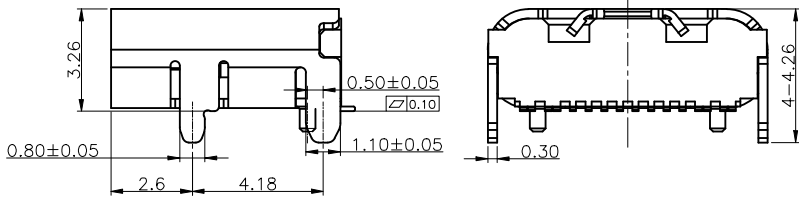
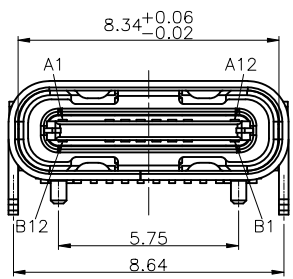


REV.	ECN NO.	DESCRIPTION	DRAW	DATE



- SPECIFICATION:
1. CURRENT RATING: 5A MAX
 2. WITHSTAND VOLTAGE: 100 VAC
 3. TEMPERATURE RANGE: -25 °C ~ 85 °C
 4. CONTACT RESISTANCE: 40 MILLIONHM MAX
 5. INSULATION RESISTANCE: 100 MEGOHMS MIN.
 6. INSERTION FORCE : 5N~20N
 7. UNMATING FORCE: 8N~20N, 6N~20N after DURABILITY
 8. DURABILITY: 10,000 CYCLES



PIN DISTRIBUTION:

A1	GND	B12	GND
A4	VBUS	B9	VBUS
A5	CC1	B8	SBU2
A6	DP1	B7	DN2
A7	DN1	B6	DP2
A8	SBU1	B5	CC2
A9	VBUS	B4	VBUS
A12	GND	B1	GND
PIN	SIGNAL NAME	PIN	SIGNAL NAME

6	EMI-GND	NO PLATED	SUS316L T=0.12mm	1
5	MID-PLATE	NO PLATED	SUS301R T=0.15mm	1
4	SHELL	50u"min (可焊接) 环保 盐雾24H	SUS304 T=0.30mm	1
3	CCNTACT	C7025 Ni:50min Tin: 100~180u "Au:1u"Min 环保 盐雾24H	C7025 T=0.15mm	1
2	CCNTACT	C7025 Ni:50min Tin: 100~180u "Au:1u"Min 环保 盐雾24H	C7025 T=0.15mm	1
1	HOUSING	HIGH TEMPERATURE PLASTIC UL94v-0	LCP E130i 30%GF	1
NO.	DESCRIPTION	FINISH/COLOR	MATERIAL	Q'TY

CUSTOMER DRAWING

LAILIAN 深圳市莱联电子有限公司
SHENZHEN LAILIAN ELECTRONICS CO., LTD

DRAWING		TITLE	TYPE-C 16P板上母座(L=7.35)	REV.	A
CHECKED		PART NO.	LAIL-TYPE-C-16PIN-05-WT	UNITS	mm
APPROVED		DWG. NO.		Projection	⊕

TOLERANCES ARE

30-150	±0.35	ANGLE	±2°
10-30	±0.2		
5-10	±0.15		
0-5	±0.1		