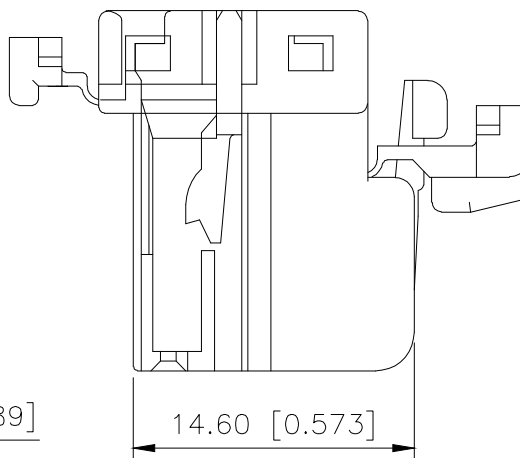
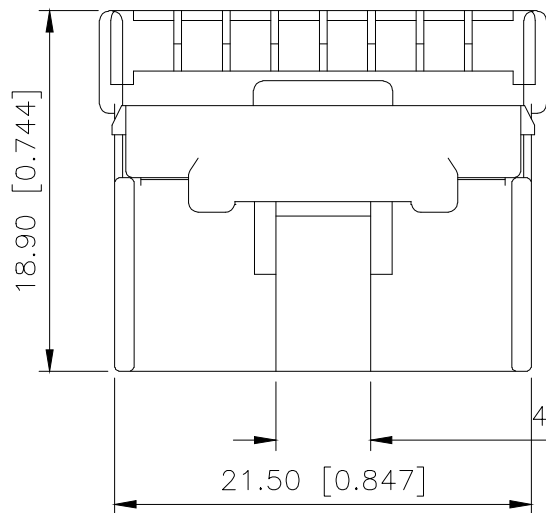


REVISIONS					
REV.	ECN NO.	LOCATION	DESCRIPTION	DATE	DESIGN
A0	N/A		INITIAL RELEASE	2024.03.27	/
A1	N/A		图面升级整理图面	2025.01.07	阿树

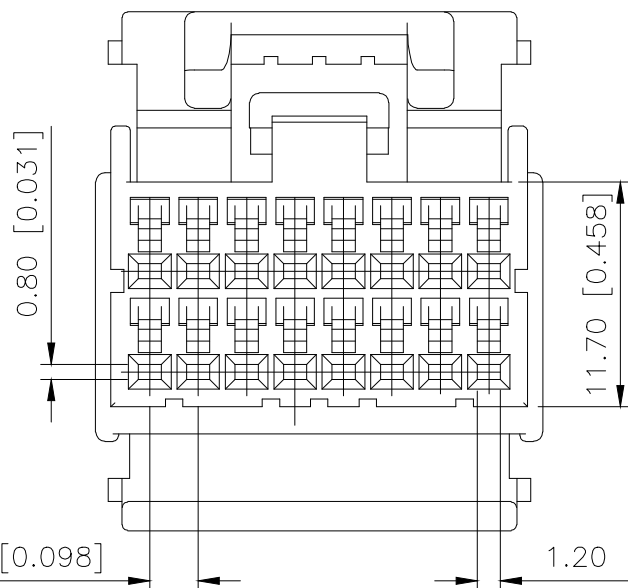


PART NO.:

K 174051 H M-2xXX-N0 B
 ① ② ③ ④ ⑤ ⑥ ⑦

- ①K:XKBTEK-Car Connector
- ②XKB Series No
- ③Category:H-Housing
- ④Welding Board Angle:M-Male Housing
- ⑤Row No.Pin No:2xXX-2x08 Pin
- ⑥Material:N0-PA66 UL94V-0
- ⑦Color:B-Black

Current rating:3A AC/DC
 额定电流: 3A AC/DC
 Temperature range:-40°C-+125°C
 温度范围: -40°C-+125°C



K174051HM-2x08-N0B	PA66	K174051W	K174051T
PART NO	Material	Suitable XKB Wafer	Suitable XKB Terminal

AuGLAR	±5°
X.	±0.40
X.x	±0.30
X.xx	±0.20
X.xxx	±0.15
UNSPECIFIED TOLERANCES	



DESIGN	阿树	VIEW:	
CHECKED		UNIT:	mm/in
APPROVED		SIZE:	A4

MODEL TYPE:	2.5mm Automobile connector
PART NO.:	K174051HM-2x08-N0B
DWG NO.:	