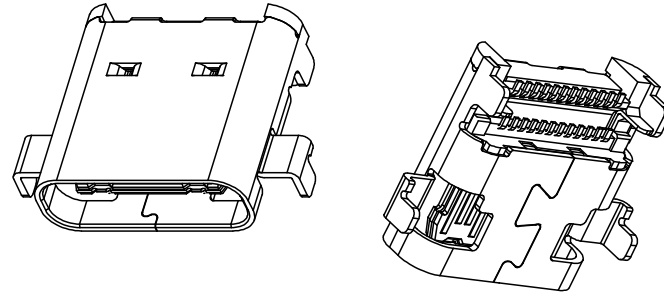
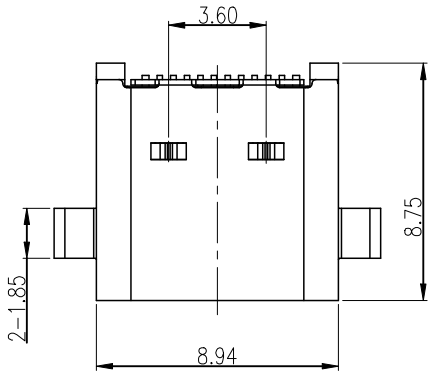
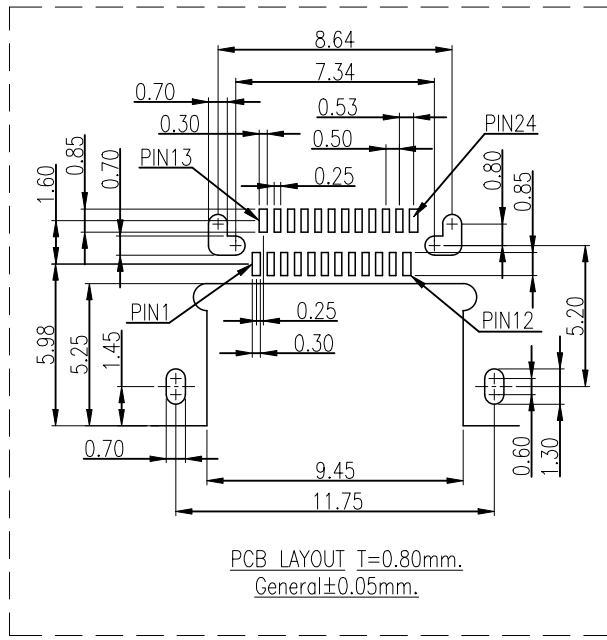
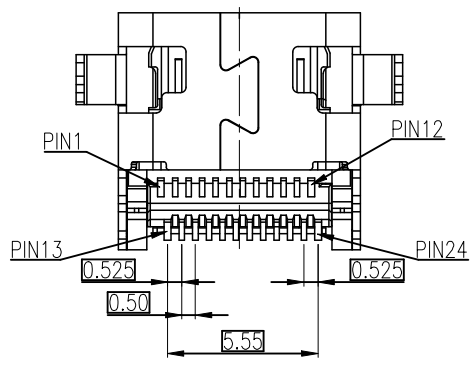
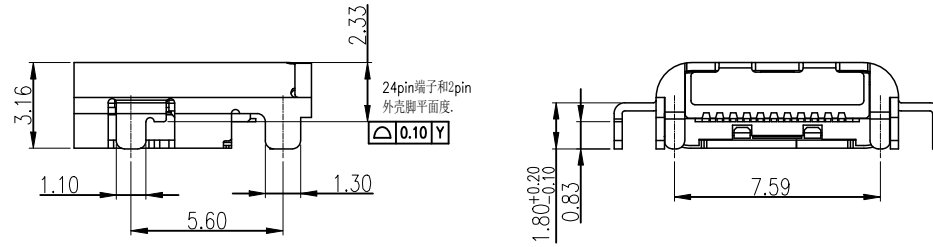
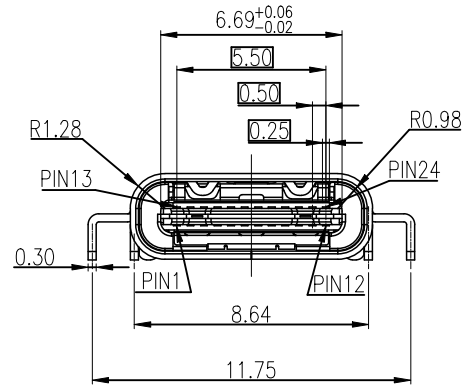


ROHS

REV.	ECN NO.	DESCRIPTION	DRAW	DATE



NOTES:  
 1.MECHANICAL:  
 INSERTION: 5~20N.  
 EXTRACTION: 6~20N.  
 DURABILITY: 10000 CYCLES  
 2.ELECTRICAL:  
 CURRENT: 5A MAX FOR VBUS;  
 0.25A MIN FOR OTHER.  
 VOLTAGE: 5V AC  
 WITHSTANDING VOLTAGE: 100V AC.  
 CONTACT RESISTANCE: 40 mohm MAX.  
 INSULATION RESISTANCE: 100 MOHM MIN.  
 3.ENVIRONMENTAL  
 TEMPERATURE RANGE -55°C ~ +85°C



ITEM	PART NAME	Q'TY	Material
1	MOLDING A	1	LCP 30%GF, BLACK
2	MOLDING A,B	1	LCP 30%GF, BLACK
3	CONTACT-LONG	12	GOLD 1u"Min. NICKEL 80u"Min.MATTE-TIN 120 u"Min
4	CONTACT-SHORT	12	GOLD 1u"Min. NICKEL 80u"Min.MATTE-TIN 120 u"Min
5	MOLDING-B	1	LCP 30%GF, BLACK

CUSTOMER DRAWING		LAILIAN 深圳市莱联电子有限公司		
DRAWING		SHENZHEN LAILIAN ELECTRONICS CO., LTD		
CHECKED		TITLE	TYPE C 3.1 FEMALE SMT MID-MOUNT CONNECTOR (短体)	REV. A
APPROVED		PART NO.	LAIL-TYPE-C-24PIN-02-WT	UNITS mm
TOLERANCES ARE		DWG. NO.		Projection
30-150	±0.35	ANGLE		
10-30	±0.2			
5-10	±0.15			
0-5	±0.1			