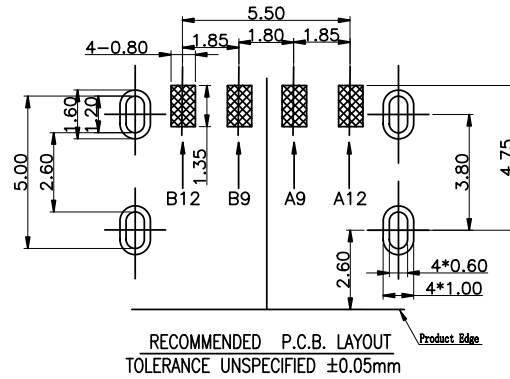
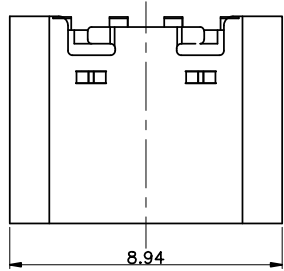


RoHS

目錄  
MAPX

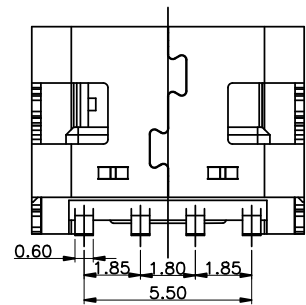
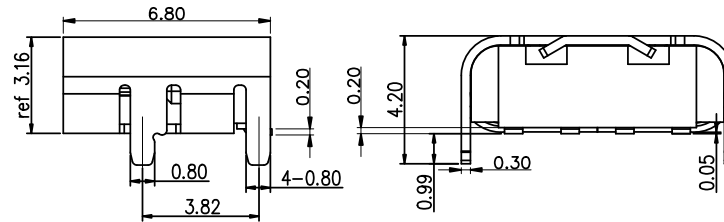
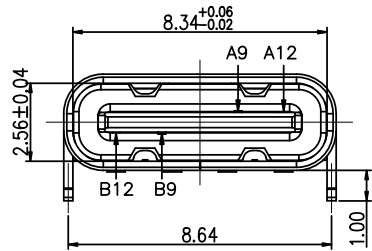
設變內容  
MODIFICATION

日期  
DATE



NOTE:

- 1.MATERIAL SPECIFICATION:
  - 1.HOUSING:HIGH TEMPERATURE RESISTANT PLASTIC,UL94 V-0.
  - 2.CONTACTS:COPPER ALLOY
  - 3.MID PLATE: STAINLESS STEEL
  - 4.FRONT SHELL: STAINLESS STEEL
- 2.PLATING SPECIFICATION:
  - 2-1.CONTACTS:
    - Ni 50u" MIN. UNDER PLATED OVER ALL.
    - Au PLATED ON THE FUNCTIONAL AREA OF CONTACT.
    - (GOLD PLATING THICKNESS FOLLOW THE P/N)
    - PLATING SPECIFICATIONS OF THE SOLDER AREA FOLLOW THE P/N
  - 2-2.FRONT SHELL:
    - SEE TABLE1.
  - 2-3.SHIELD PLATE&EMI PLATE:
    - CLEAR ONLY
- 3.MECHANICAL PERFORMANCE,
  - 3-1.INSERTION FORCE: 0.5~2.0kgf.
  - 3-2.REMOVAL FORCE: 0.8kgf~2.0kgf.
  - 3-3.DURABILITY: 5000 CYCLES.
- 4.ELECTRICAL PERFORMANCE,
  - 4-1. CURRENT RATING:3.0A  
VOLTAGE RATING:5.0V
  - 4-2. LLCR:
    - VBUS & GND PINS AND OTHER PINS: 40m?/PIN MAX.
    - SHIELD: 50m?/MAX.
    - LLCR MAX. CHANGE OF ALL PINS: 10m?.
  - 4-3.INSULATION RESISTANCE: 100M? MIN
  - 4-4.DIELECTRIC WITHSTAND VOLTAGE,AC 100V FOR 1 MINUTE.
5. ENVIRONMENTAL PERFORMANCE:
  - OPERATING TEMPERATURE: -25°C~+85°C.
- 6.IR REFLOW:
  - THE PEAK TEMPERATURE ON THE BOARD SHALL BE MAINTAINED FOR 10 SECONDS AT 260°C.



PIN ASSIGNMENTS

A5	CC1	B12	GND
A9	VBUS	B9	VBUS
A12	GND	B5	CC2
PIN	SIGNAL NAME	PIN	SIGNAL NAME

产品图

PRODUCT CHART DWG



深圳市精拓金电子有限公司  
Shenzhen Jing Tuo Jin Electronics Co., Ltd.

公差一览表

TOLERANCE UNLESS OTHERWISE

X.	±0.35	X'	±5'
.X	±0.30	.X'	±2'
.XX	±0.25	.XX'	±1'
.XXX	±0.10	.XXX'	±0.5'

单位  
UNITS

MM

制图  
DRAWING

Erick

产品料号  
PRODUCT PART NO.

918-148M202CS42000

比例  
SCALE

1:1

审核  
CHKD

L S S

产品名称  
PRODUCT NO.

TYPE-C3.1母座板上6.8四脚  
插板LCP黑胶SMT 4PIN

日期  
DATE

2021/03/10

核准  
APPD

黄国荣

角法  
VIEW



版本  
VER

A0

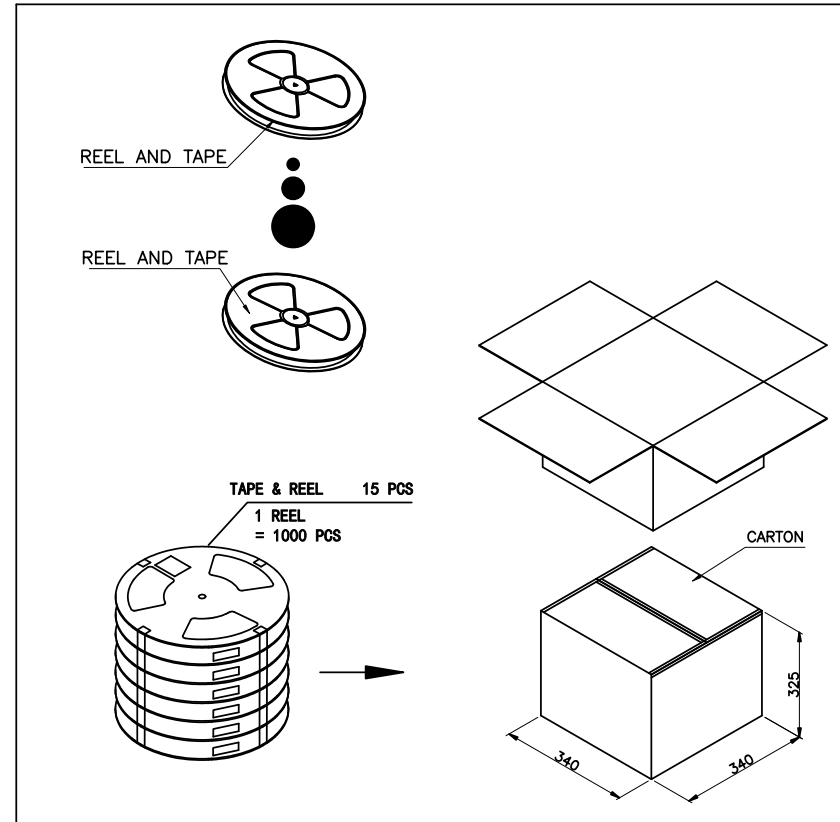
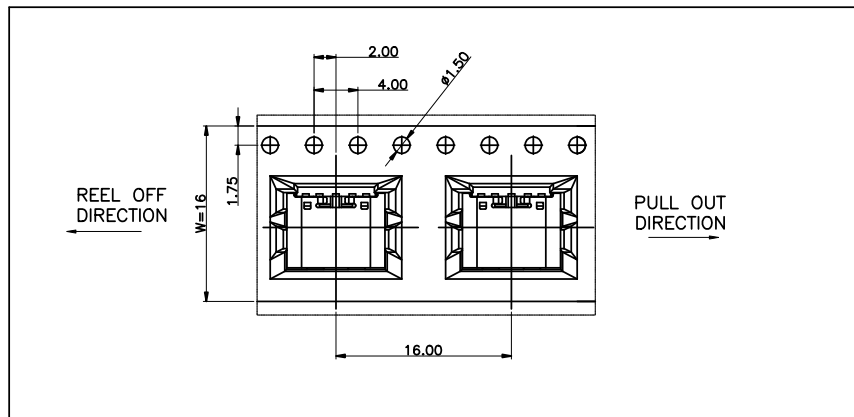
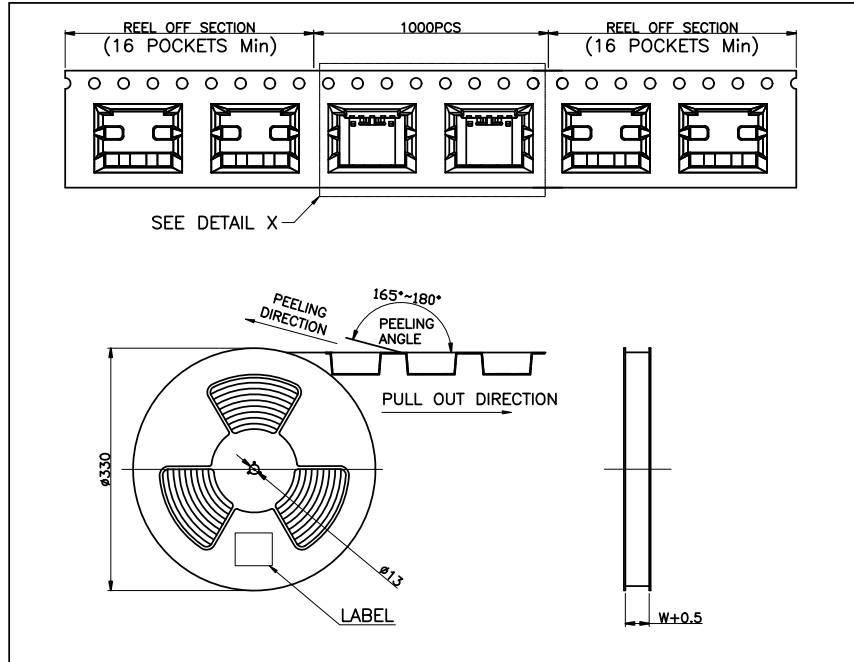
RoHS

目錄  
MAPX

設變內容  
MODIFICATION

日期  
DATE

	REEL	CARTON
CONNECTOR (PCS)	1000	10000



<b>产品图</b> PRODUCT CHART DWG				<b>深圳市精拓金电子有限公司</b> Shenzhen Jing Tuo Jin Electronics Co., Ltd.	
<b>公差一览表</b> TOLERANCE UNLESS OTHERWISE		<b>单位</b> UNITS	<b>制图</b> DRAWING	<b>产品料号</b> PRODUCT PART NO.	<b>产品名称</b> PRODUCT NO.
X.	±0.35	X'	±5'	Erick	TYPE-C 4PIN板上四脚插板SMT母座 长L=6.80MM
.X	±0.30	.X'	±2'	审核 CHKD	
.XX	±0.25	.XX'	±1'	日期 DATE	2021/03/10
.XXX	±0.10	.XXX'	±0.5'	核准 APPD	黄国荣
		<b>比例</b> SCALE	<b>审核</b> CHKD	<b>角法</b> VIEW	<b>版本</b> VER
		<b>日期</b> DATE	<b>核准</b> APPD		<b>版本</b> VER
		<b>日期</b> DATE	<b>核准</b> APPD	<b>角法</b> VIEW	<b>版本</b> VER