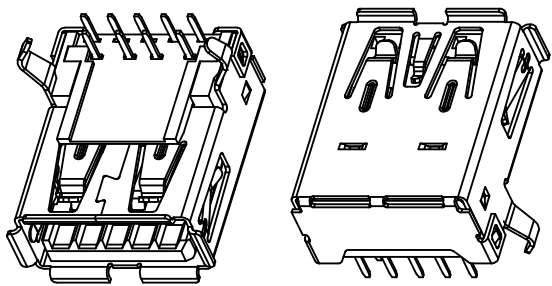
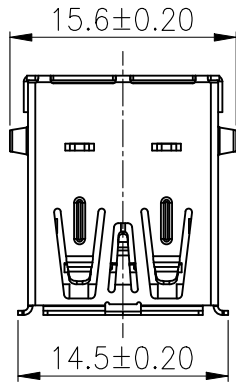
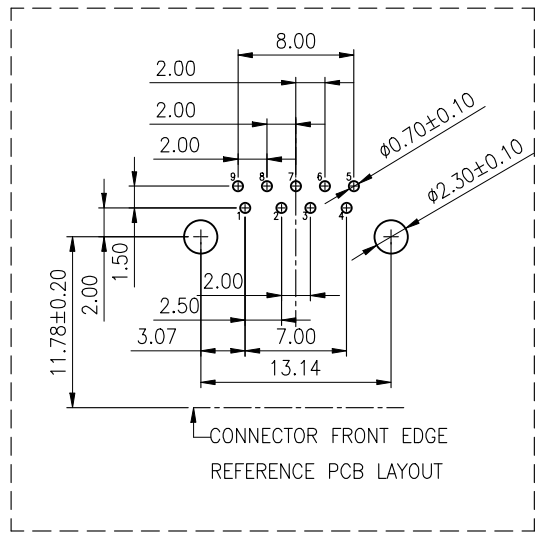
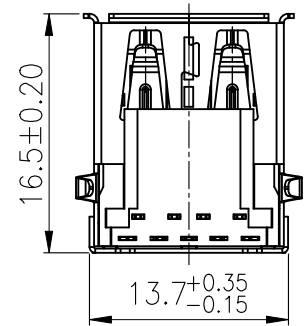
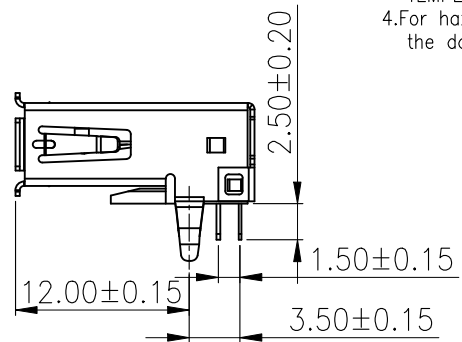
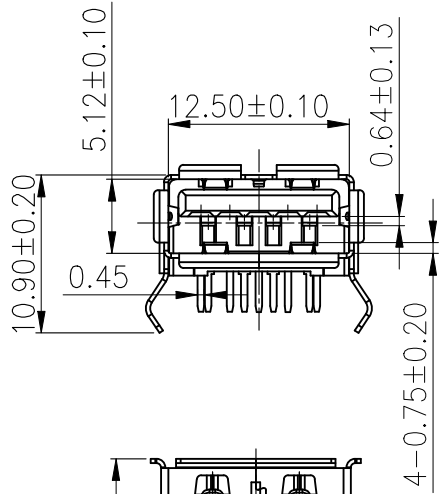
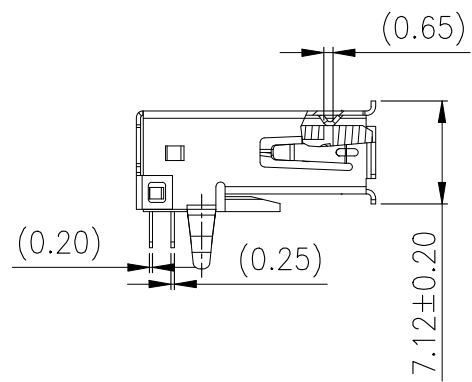


ROHS

REV.	ECN NO.	DESCRIPTION	DRAW	DATE



NOTES:
 1.MECHANICAL:
 MATING: 35N MAX.
 WITHDRAWAL: 10N MIN.
 DURABILITY: 25000 CYCLES
 2.ELECTRICAL:
 CURRENT: 5A Maximum for pin1 and pin4,
 and 0.25A for all the other pin.
 VOLTAGE: 30 Vac (rms)
 WITHSTANDING VOLTAGE: 500V AC
 CONTACT RESISTANCE:
 30 mΩ (Max) initial for pin1 and pin4.
 50 mΩ (Max) initial for all other contacts.
 Maximum change of +10mΩ after environmental stresses.
 Measure at 20 mV (Max) open circuit at 100 mA.
 INSULATION RESISTANCE: 1000MΩ MIN.
 3.ENVIRONMENTAL
 TEMPERATURE RANGE -55°C ~ +85°C
 4.For hazardous substances control, please refer to
 the document number:WI-QC-0057



ITEM	PART NAME	Q'TY	Material
1	COVER	1	PBT+30%GF,BLUE HF(无卤)
2	SHELL	1	SUS304 1/2H NI50u*MIN.
3	CONTACT1	4	C5191R-EH T=0.25,UnderPlating:Ni80u*Min,Contact Plaitng:Au1u*,Solder Tail:FOG TIN 120u*Min.
4	CONTACT2	5	C2680R-H,Under Plating:Ni80u*Min,Contact Plaitng:Au1u*,Solder Tail:FOG TIN 120u*Min.
5	MOLDING	1	PBT+30%GF,BLUE HF(无卤)

CUSTOMER DRAWING		LAILAN 深圳市莱联电子有限公司	
DRAWING		SHENZHEN LAILIAN ELECTRONICS CO., LTD	
CHECKED		TITLE	USB 3.0 AF DIP 90° (K脚卷边有缺口)
APPROVED		REV.	A
TOLERANCES ARE		PART NO.	LAIL-USB-TYPE-A-9PIN-02-WC
30-150	±0.35	UNITS	mm
10-30	±0.2	DWG. NO.	
5-10	±0.15	Projection	
0-5	±0.1		