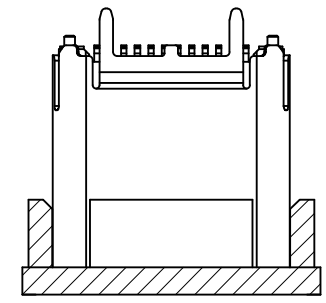
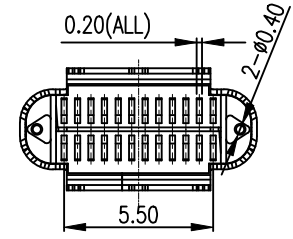
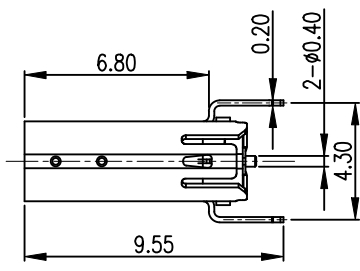
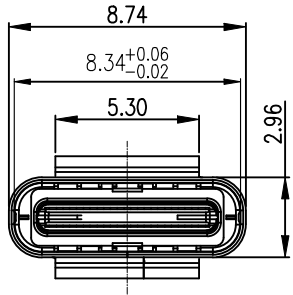
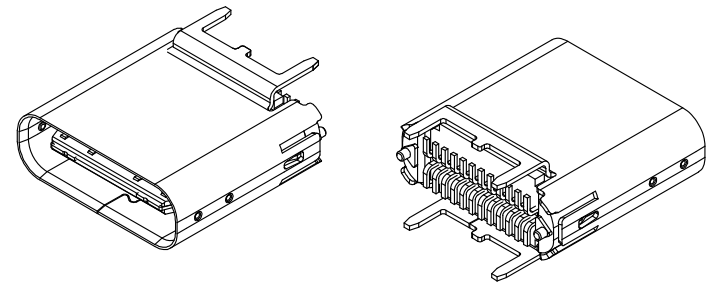
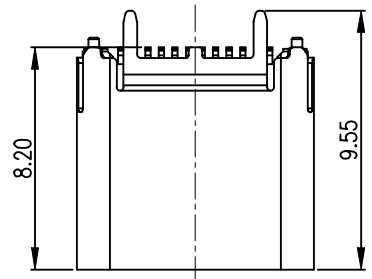
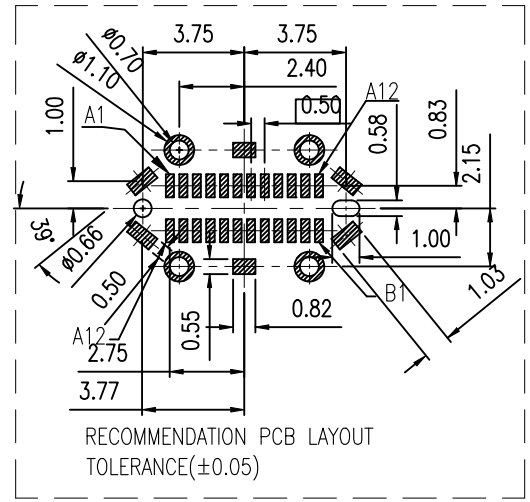
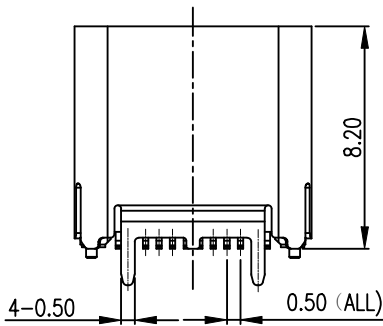
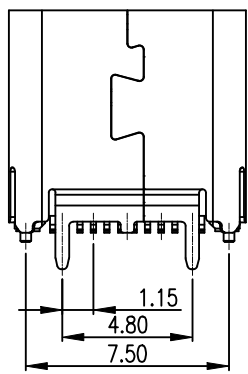


REV.	ECN NO.	DESCRIPTION	DRAW	DATE

NOTES:
 1.MECHANICAL:
 INSERTION:5~20 N
 EXTRACTION:THE INITIAL 8~20N.
 6~20N AFTER DURABILITY
 DURABILITY: 10000 CYCLES
 2.ELECTRICAL:
 CURRENT: 5A MAX
 VOLTAGE: 30V MAX
 WITHSTANDING VOLTAGE: 100V AC.
 CONTACT RESISTANCE: 40 mΩMAX.
 INSULATION RESISTANCE: 100MΩ MIN.
 3.ENVIRONMENTAL
 TEMPERATURE RANGE -55°C ~ +85°C



加CAP示意图



B12	B11	B10	B9	B8	B7	B6	B5	B4	B3	B2	B1
GND	RX1+	RX1-	Vbus	SBU2	D-	D+	CC2	Vbus	TX2-	TX2+	GND
GND	TX1+	TX1-	Vbus	CC1	D+	D-	SBU1	Vbus	RX2-	RX2+	GND
A1	A2	A3	A4	A5	A6	A7	A8	A9	A10	A11	A12

ITEM	PART NAME	Q'TY	Material
1	CONTACT A	12	C18140-H,T=0.12,GOLD 1u"Min,Ni 80u"Min,MT120u"
2	CONTACT B	12	C18140-H,T=0.12,GOLD 1u"Min,Ni 80u"Min,MT120u"
3	SHELL	1	SHORT SUS304R-1/2H, NICKEL 50u"Min.
4	OVER-MOLDING	1	LCP, UL94V-0, BLACK

CUSTOMER DRAWING **LAILIAN** 深圳市莱联电子有限公司
 SHENZHEN LAILIAN ELECTRONICS CO., LTD

DRAWING	CHECKED	APPROVED	TITLE	TYPE-C FEMALE SMT VERTICAL SHORT CONNECTOR (短体版)	REV.	A
TOLERANCES ARE			PART NO.	LAIL-TYPE-C-24PIN-01-LT	UNITS	mm
30-150	±0.35	ANGLE	DWG. NO.	Projection		
10-30	±0.2					
5-10	±0.15					
0-5	±0.1					