

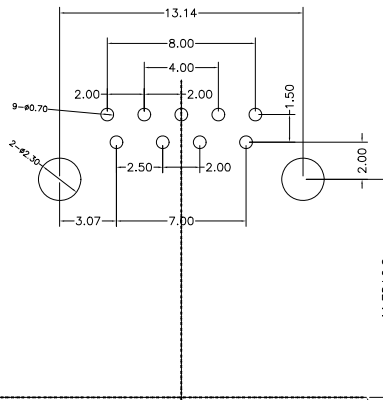
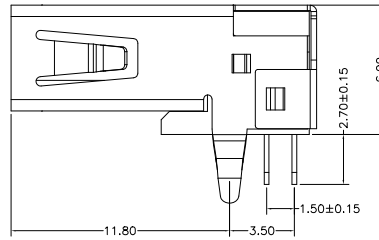
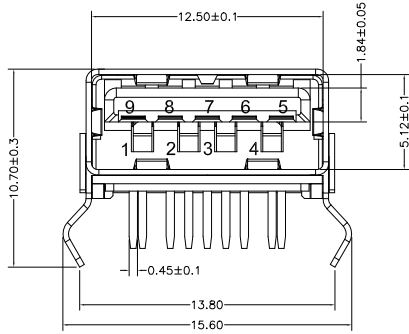
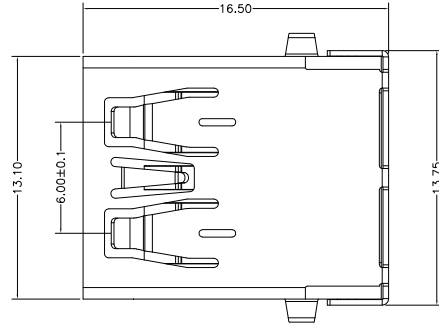
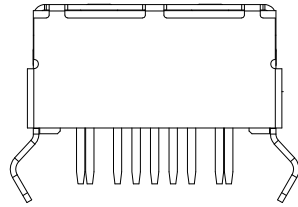
RoHS

MAPX

MODIFICATION

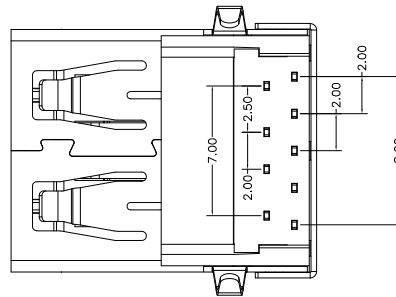
DRW

DATE



PCB.LAYOUT

CONNECTOR FRONT EDGE



NoNOTE:

1. MATERIAL:

1.1 INSULATOR:LCP UL 94V-0

1.2 CONTACT:Copper alloy (T=0.20mm) PLATED Ni50u", Sn80u" Au1~30u"

1.3 SHELL: SPCC (T=0.30mm) PLATED NI50u" MIN.

2. ELECTRICAL CHARACTERISTICS;

2.1 CONTACT RESISTANCE: 30mΩ MAXIMUM

2.2 CONTACT CURRENT RATING: 1.5 AMPERES

2.3 DIELECTRIC WITHSTANDING VOLTAGE: 100 V AC R. M. S.

2.4 INSULATION RESISTANCE 100 MEGOHMS MIN

2.5 OPERATING TEMPERATURE: -40° C ~ 85° C

3 MECHANICAL CHARACTERISTICS:

3.1 MATING FORCE: 3.57kgf MAX

3.2 UNMATED FORCE: 1.02kgf MIN INITIAL/0.82kgf MIN

3.3 DURABILITY: 1,500 CYCLES

Pin Number	Signal Name	Pin Number	Signal Name
1	VBUS	5	SSRX-
2	D-	6	SSRX+
3	D+	7	GND
4	GND	8	SSTX-
Shell	Shield	9	SSTX+

产品图

PRODUCT CHART DWG

公差一览表

TOLERANCE UNLESS OTHERWISE

UNIT	MM	DRAWING	L-S-S	PRODUCT PART NO.	901-142A105AD10200
X.	±0.35	X.	±5°	产品名称	AF90度3.0外扣弯脚无边内弹铜壳16.5PBT蓝胶
.X	±0.30	.X	±2°	PRODUCT NO.	
.XX	±0.25	.XX	±1°	日期	2021-03-10
.XXX	±0.05	.XXX	±0.5°	日期	2021-03-10

深圳市精拓金电子有限公司  
Shenzhen Jing Tuo Jin Electronics Co., Ltd.

单位: MM  
比例: 1:1  
日期: 2021-03-10

制图: L-S-S  
审核: G-Z-F  
核准: 黄国荣

产品料号: 901-142A105AD10200  
产品名称: AF90度3.0外扣弯脚无边内弹铜壳16.5PBT蓝胶  
角法: 角法

版本: 角法

版本: 角法

版本: 角法