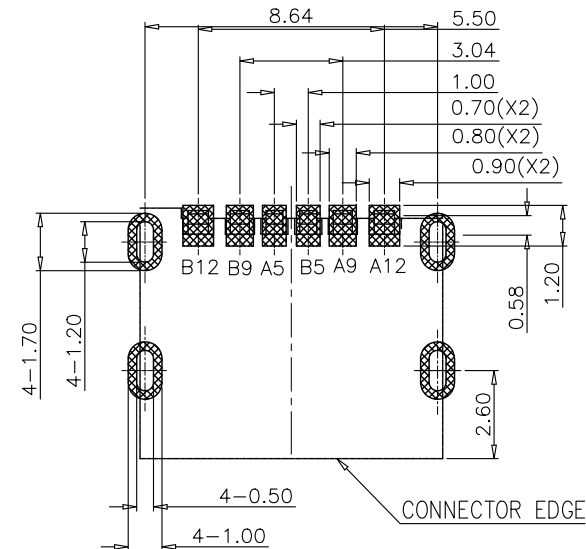
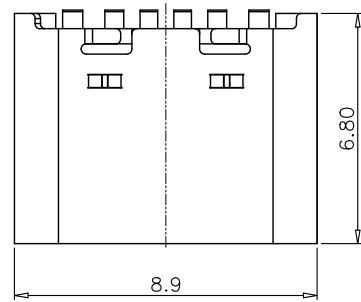
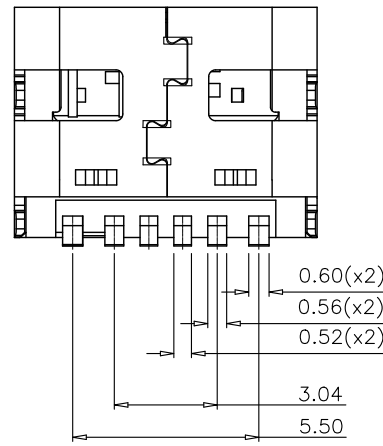
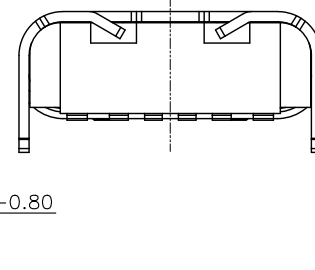
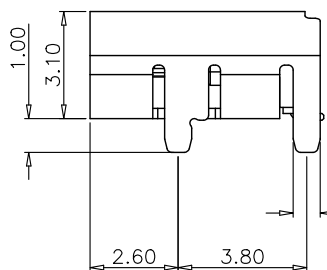
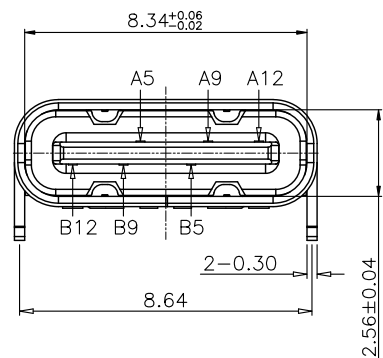


RoHS

目錄 MAPX	设变内容 MODIFICATION	日期 DATE
------------	----------------------	------------



RECOMMENDED PCB LAYOUT(TOP VIEW)
THICKNESS 1.6±0.10MM;DEFAULT TOLERANCE:±0.05



NOTE:

- MATERIAL SPECIFICATION:
 - HOUSING:HIGH TEMPERATURE RESISTANT PLASTIC,UL94 V-0.
 - CONTACTS:COPPER ALLOY
 - MID PLATE: STAINLESS STEEL
 - FRONT SHELL: STAINLESS STEEL
- PLATING SPECIFICATION:
 - CONTACTS:
 - Ni 50u" MIN. UNDER PLATED OVER ALL.
 - Au PLATED ON THE FUNCTIONAL AREA OF CONTACT. (GOLD PLATING THICKNESS FOLLOW THE P/N)
 - PLATING SPECIFICATIONS OF THE SOLDER AREA FOLLOW THE P/N
 - FRONT SHELL:
 - SEE TABLE1.
 - SHIELD PLATE&EMI PLATE:
 - CLEAR ONLY
- MECHANICAL PERFORMANCE,
 - INSERTION FORCE: 0.5~2.0kgf.
 - REMOVAL FORCE: 0.8kgf~2.0kgf.
 - DURABILITY: 5000 CYCLES.
- ELECTRICAL PERFORMANCE,
 - CURRENT RATING:3.0A
VOLTAGE RATING:5.0V
 - LLCR:
 - VBUS & GND PINS AND OTHER PINS: 40m?/PIN MAX.
 - SHIELD: 50m?/MAX.
 - LLCR MAX. CHANGE OF ALL PINS: 10m?.
 - INSULATION RESISTANCE: 100M? MIN
 - DIELECTRIC WITHSTAND VOLTAGE,AC 100V FOR 1 MINUTE.
- ENVIRONMENTAL PERFORMANCE:
 - OPERATING TEMPERATURE: -25°C~+85°C.
- IR REFLOW:
 - THE PEAK TEMPERATURE ON THE BOARD SHALL BE MAINTAINED FOR 10 SECONDS AT 260°C.

PIN ASSIGNMENTS

A5	CC1	B12	GND
A9	VBUS	B9	VBUS
A12	GND	B5	CC2
PIN	SIGNAL NAME	PIN	SIGNAL NAME

<p>产品图 PRODUCT CHART DWG</p>				<p>深圳市精拓金电子有限公司 Shenzhen Jing Tuo Jin Electronics Co., Ltd.</p>	
<p>公差一览表 TOLERANCE UNLESS OTHERWISE</p>		<p>单位 UNITS</p>	<p>制图 DRAWING</p>	<p>产品料号 PRODUCT PART NO.</p>	<p>918-418K2023S40101</p>
X.	±0.35	X'.	±5'	比例 SCALE	1:1
.X	±0.30	.X'	±2'	审核 CHKD	L S S
.XX	±0.25	.XX'	±1'	日期 DATE	2021/03/10
.XXX	±0.10	.XXX'	±0.5'	核准 APPD	黄国荣
		角法 VIEW		版本 VER	A0